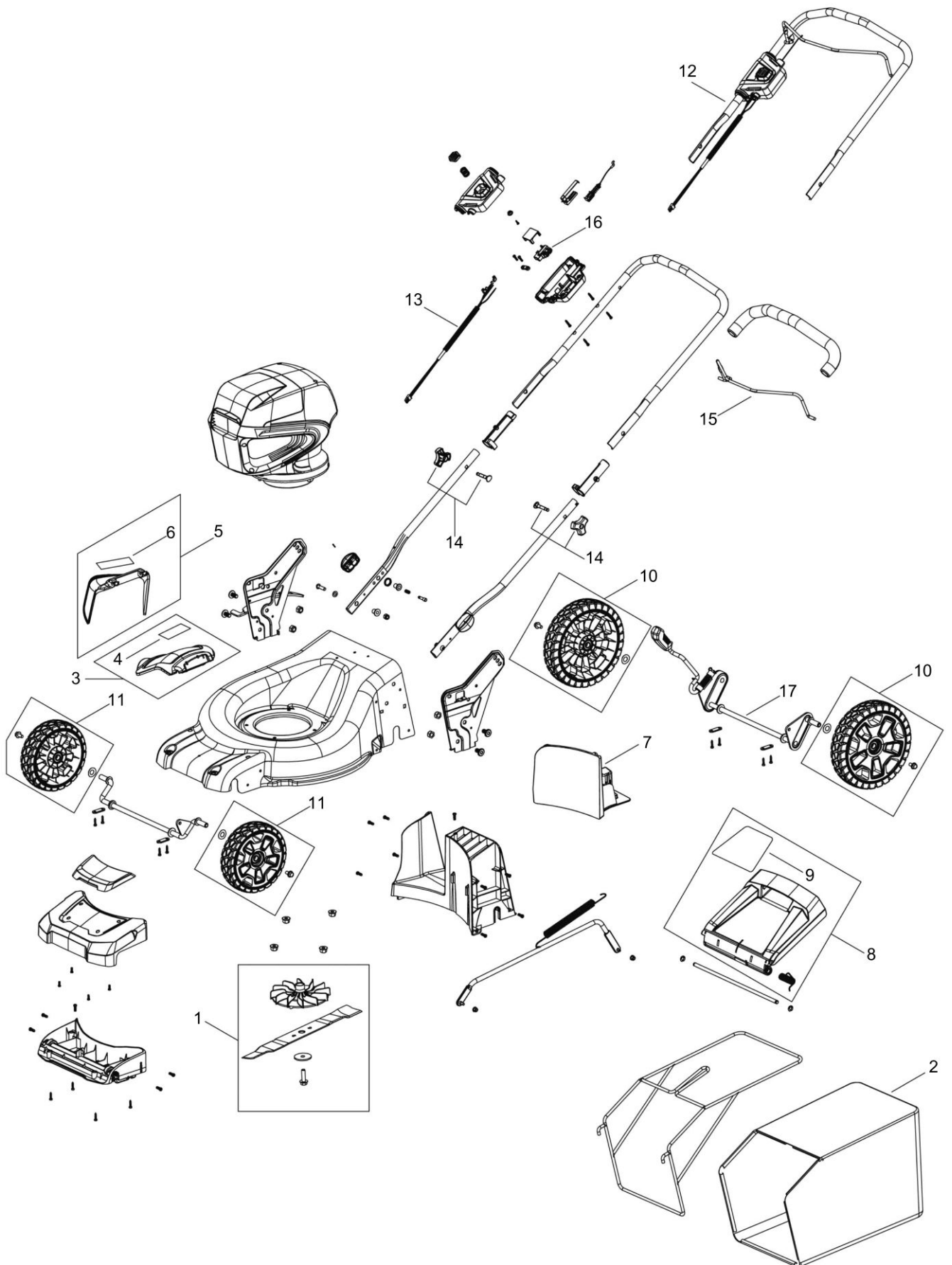


BODY



BODY

Key No.	LV (+)	Parts Number	Parts Description	Qty	Standard	Class
1		P022-061290	KIT, BLADE	1		A
2		P022-061300	BAG,DUST	1		D
3		P022-061310	DOOR,SIDE	1		C
4	+	P022-061320	LABEL, CAUTION	1		D
5		P022-061330	SIDE DISCHARGE CHUTE	1		C
6	+	P022-061320	LABEL, CAUTION	1		D
7		P022-061150	PLAG	1		C
8		P022-061160	DOOR	1		C
9	+	P022-061170	LABEL, CAUTION	1		D
10		P022-061180	WHEEL,REAR KIT	2		A
11		P022-061350	WHEEL,FRONT KIT	2		A
12		P022-061200	HANDLE,ASY UPPER	1		C
13		P022-061370	HARNESS, WIRE	1		B
14		P022-061220	KNOB KIT	2		C
15		P022-061230	LEVER, SWITCH	1		C
16		P022-061240	SWITCH	1		B
17		P022-061250	LEVER,ADJUST	1		C

Class : Consumable class

A:Fast moving parts B:Semi-fast moving parts C:Slow moving parts D:Order only as needed