

DSRM-310

Serial Number

U60435000001-U60435999999

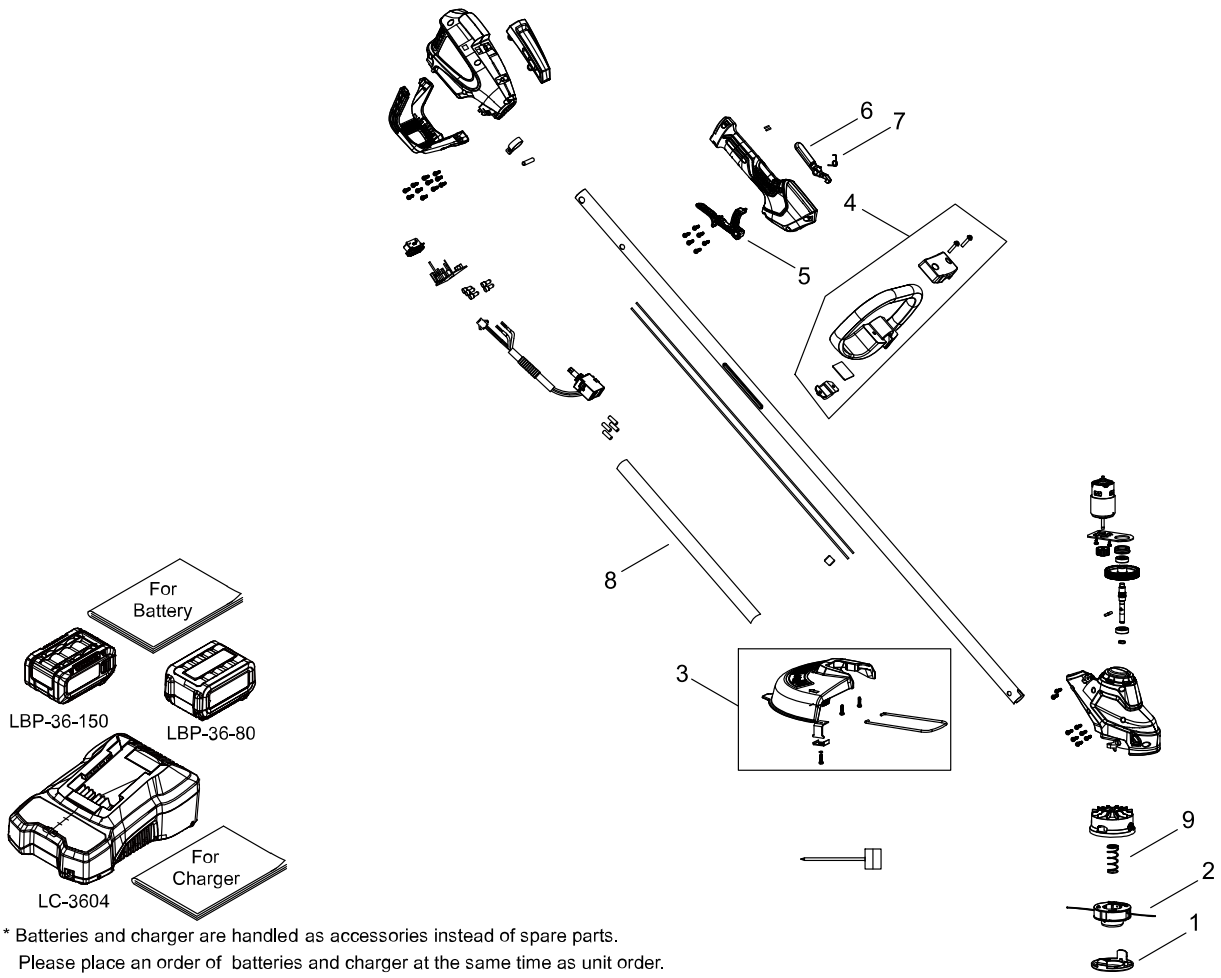
Last updated date

31/Mar/2023

TABLE OF CONTENTS

TRIMMER.....	1
--------------	---

TRIMMER



* Batteries and charger are handled as accessories instead of spare parts.
Please place an order of batteries and charger at the same time as unit order.

TRIMMER

Key No.	LV (+)	Parts Number	Parts Description	Qty	Standard	Class
1		P022-061450	COVER	1		C
2		P022-061460	NYLON CORD SET	1		A
3		P022-061470	SHIELD ASY	1		B
4		P022-061480	HANDLE ASY	1		C
5		P022-061490	LEVER	1		D
6		P022-061500	LOCKOUT	1		D
7		P022-061510	SPRING,TORSION	1		B
8		P022-061520	LABEL,CAUTION	1		D
9		P022-065090	SPRING,COMPRESSION	1		

Class : Consumable class

A:Fast moving parts B:Semi-fast moving parts C:Slow moving parts D:Order only as needed

NUMERICAL PARTS INDEX

Part No	Part description	Page
P022-061450	COVER	2
P022-061460	NYLON CORD SET	2
P022-061470	SHIELD ASY	2
P022-061480	HANDLE ASY	2
P022-061490	LEVER	2
P022-061500	LOCKOUT	2
P022-061510	SPRING,TORSION	2
P022-061520	LABEL,CAUTION	2
P022-065090	SPRING,COMPRESSION	2