

# HCAS-236ES-LW

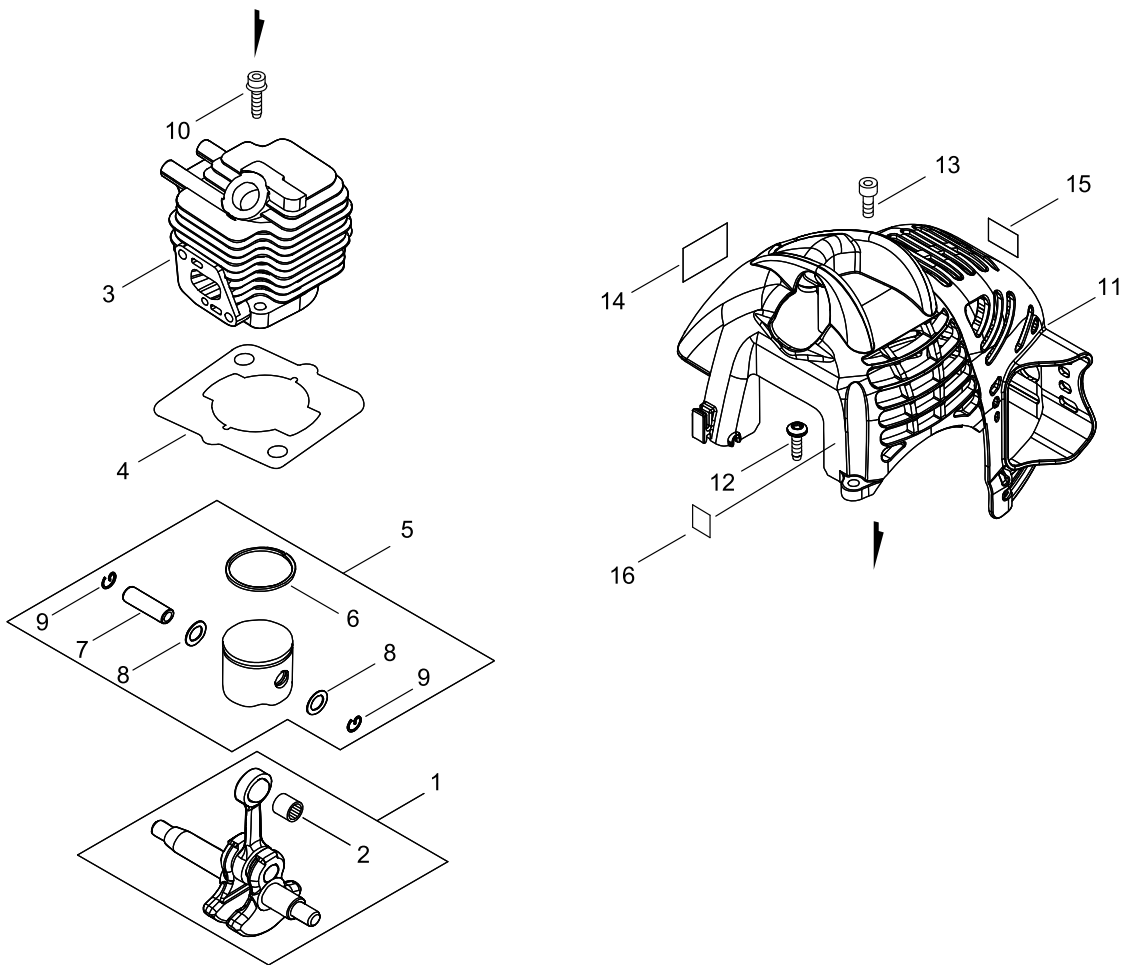
Published:03/18/2019

## TABLE OF CONTENTS

---

CYLINDER, PISTON, CRANKSHAFT.....	1
CRANKCASE .....	3
MAGNETO.....	5
CLUTCH.....	7
AIR CLEANER, CARBURETOR.....	9
CARBURETOR.....	11
FUEL TANK.....	13
MUFFLER .....	15
RECOIL STARTER, PULLY .....	17
GEAR CASE.....	19
CUTTING BLADE.....	21
MAIN PIPE .....	23
THROTTLE .....	25
ACCESSORIES.....	27

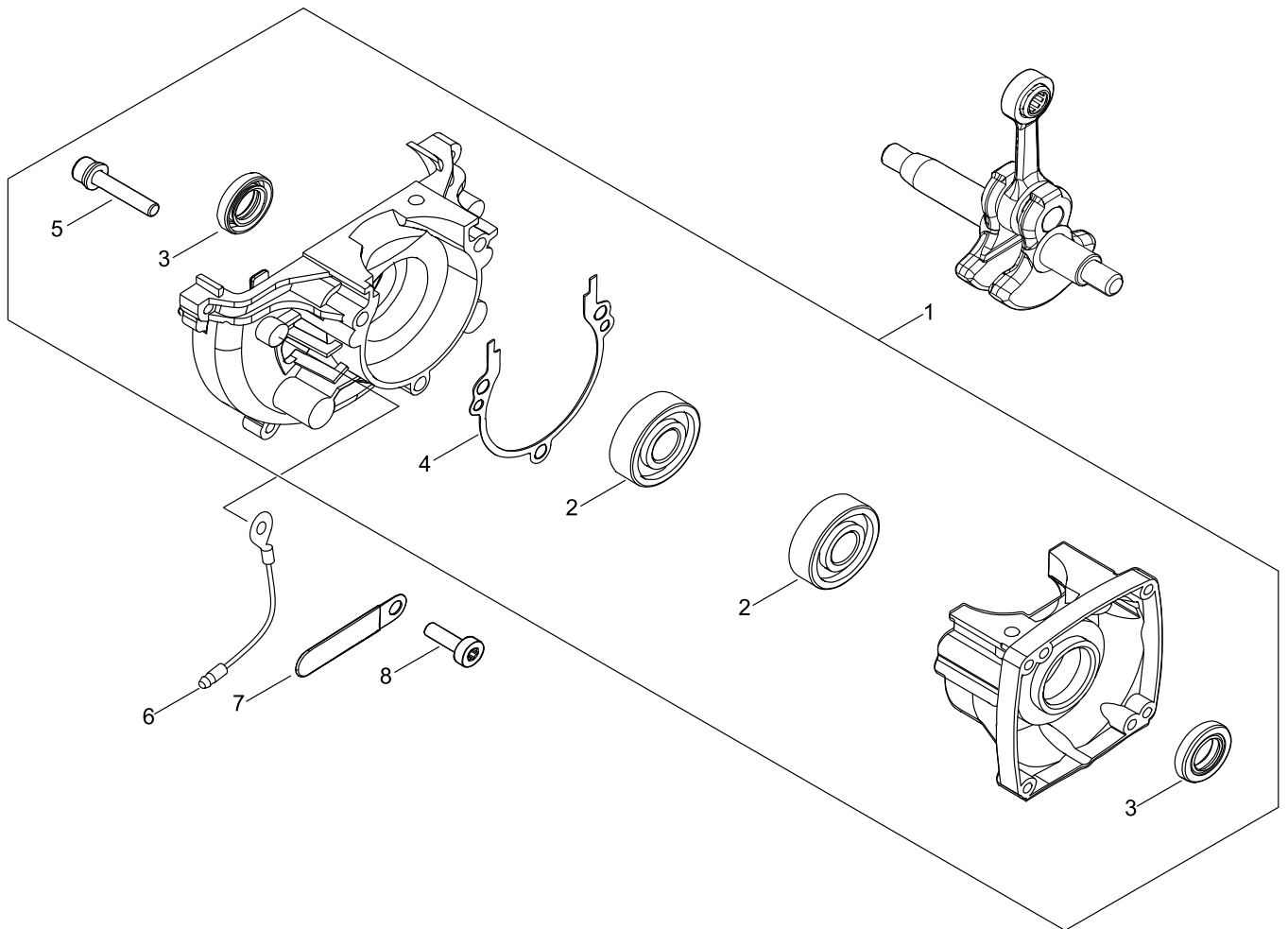
CYLINDER, PISTON, CRANKSHAFT



## CYLINDER, PISTON, CRANKSHAFT

KEY NO	LV(+)	Part No	Description	Qty	Standard	Comment
1		A011-001410	CRANKSHAFT,ASY	1		
2	+	V553-000060	BEARING,NEEDLE 8	1	HK0810FMV4	
3		A130-002100	CYLINDER	1		
4		101010-44332	GASKET, CYL. BASE	1		
5		P021-007712	PISTON KIT	1		
6	+	A101-000090	RING,PISTON	1		
7	+	100013-11520	PIN, PISTON	1		
8	+	100014-11520	SPACER, PISTON PIN	2		
9	+	100015-04630	CIRCLIP, PISTON PIN	2		
10		900162-05022	BOLT, H.S. 5*22	2	5*22 W,SW	
11		A160-001090	COVER,CYLINDER	1		
12		V805-000000	BOLT, TORX 5	1	TT-5*16 DG 10.9	
13		V805-000150	BOLT, TORX 5	1	TB-5*16 10.9	
14		X547-002660	LABEL,ECHO	1	ECHO+ HCAS-236ES	
15		X505-007710	LABEL,CAUTION	1		
16		X524-001901	LABEL	1		

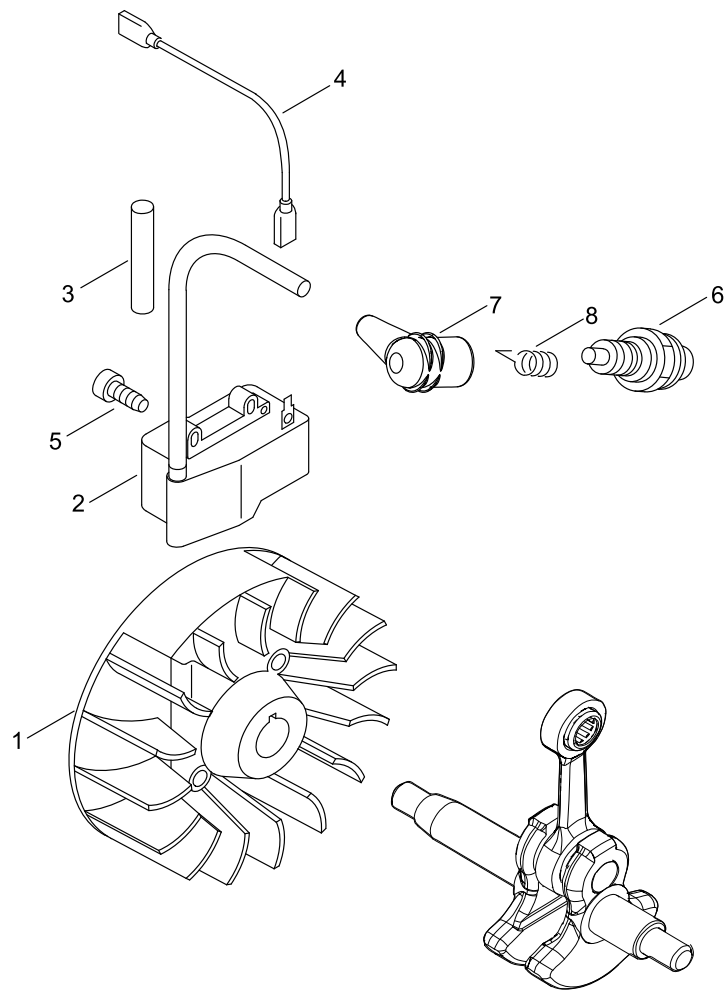
CRANKCASE



## CRANKCASE

KEY NO	LV(+)	Part No	Description	Qty	Standard	Comment
1		P100-001870	CRANKCASE SET	1		
2	+	94035-36201	BEARING BALL	2	6201X3JR2C3	
3	+	100212-42031	OILSEAL	2	ISCD 12*22*4.5	
4	+	100242-42030	GASKET, CRANKCASE	1		
5	+	900162-05028	BOLT, H.S. 5*28	3	5*28 W,SW	
6		162014-27230	LEAD, GROUND	1		
7		159116-21231	CLAMP	1		
8		V805-000130	BOLT, TORX 5	1	TB-5*10 10.9	

# MAGNETO

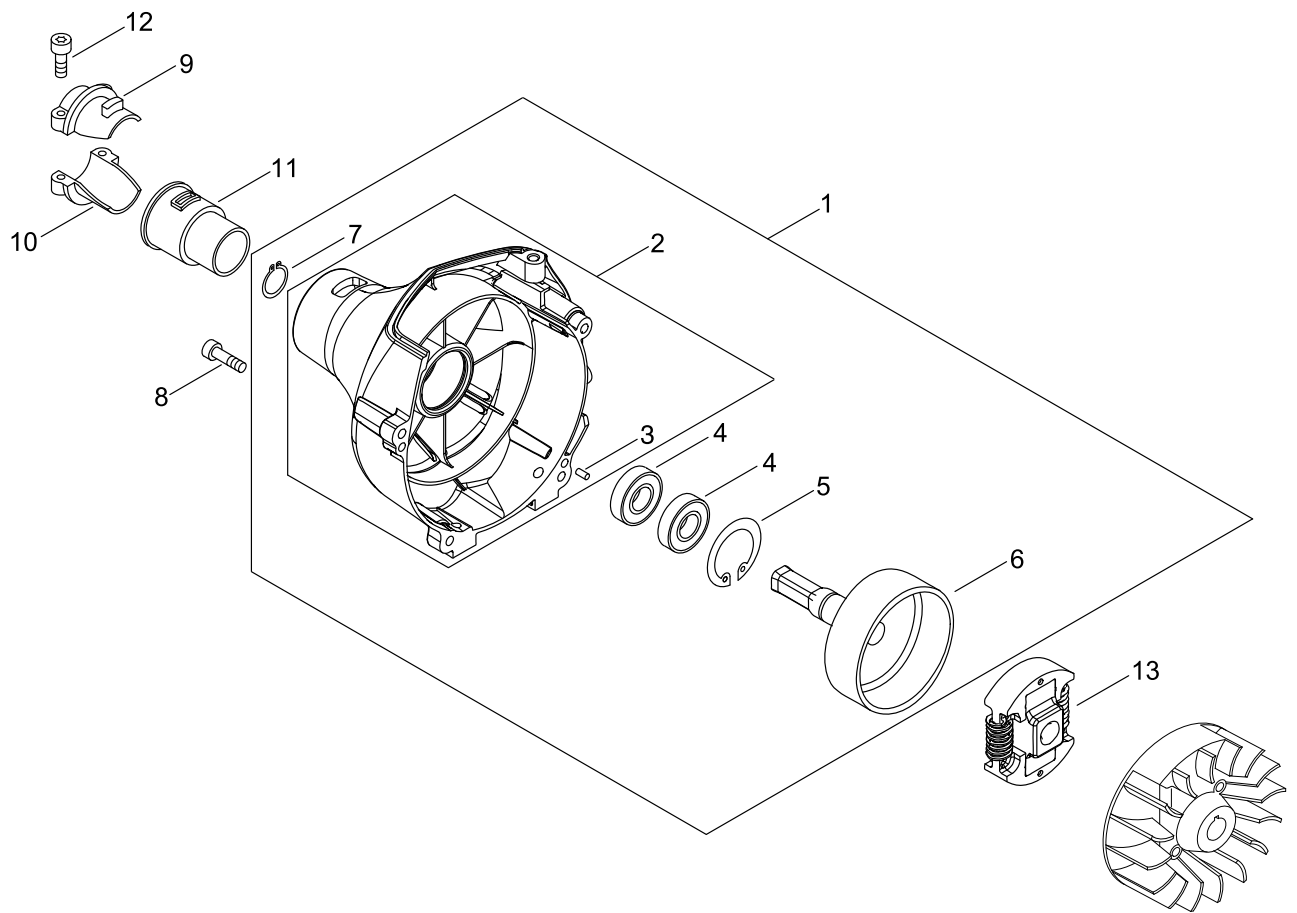


## MAGNETO

KEY NO	LV(+)	Part No	Description	Qty	Standard	Comment
1		A409-000160	ROTOR,MAGNETO	1		
2		A411-000131	COIL,IGNITION	1	ID#C9148 GT/ PE	
3		V475-007200	TUBE	1	7*L55	
4		V485-001120	LEAD	1	L210 #187 CB104	
5		V804-000070	BOLT, TORX 4	2	TB-4*20 12.9	
6		A425-000000	SPARKPLUG	1	BPMR8Y	
7		A427-000013	CAP,SPARK PLUG	1		
8		A426-000010	TERMINAL,SPARKPLUG	1		



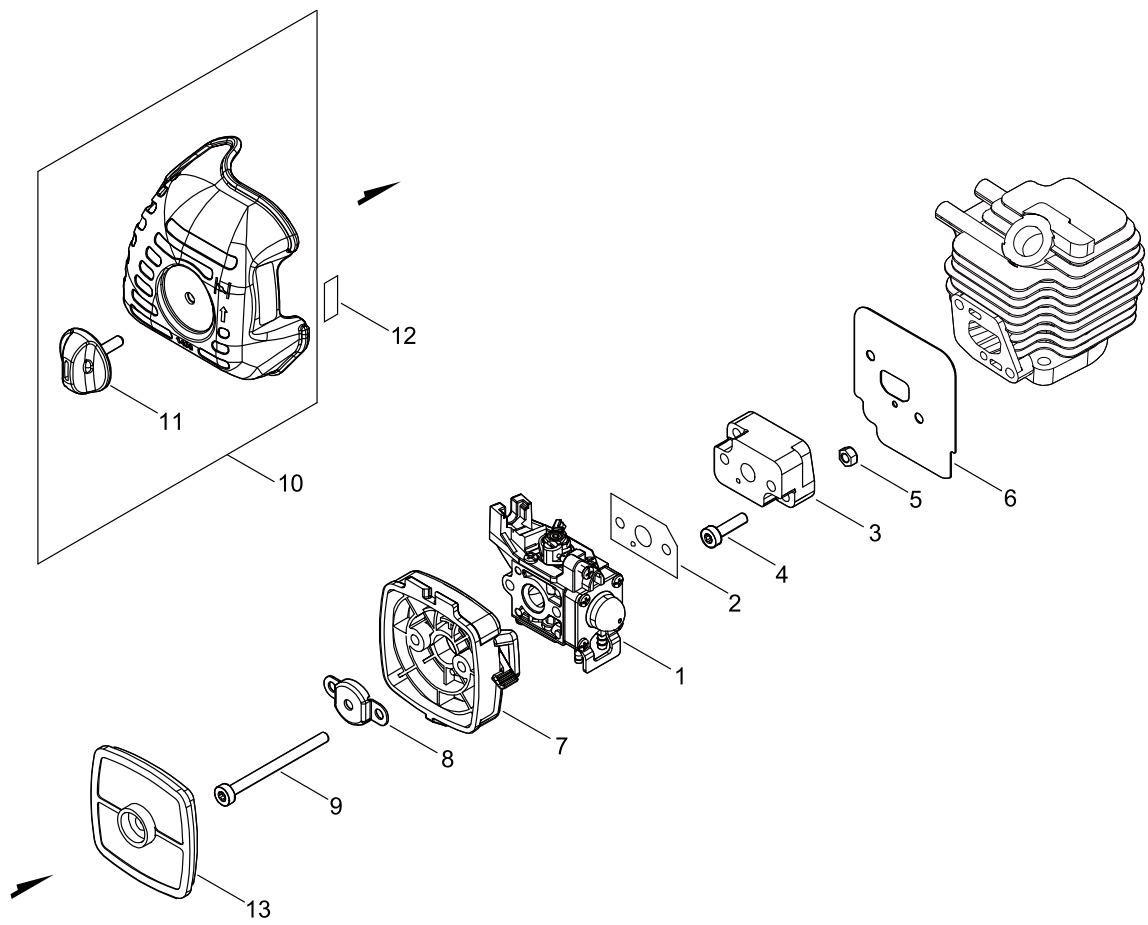
CLUTCH



## CLUTCH

KEY NO	LV(+)	Part No	Description	Qty	Standard	Comment
1		P021-047631	FAN COVER ASY	1		
2	+	A172-000861	COVER,FAN	1		
3	++	900330-40080	PIN F 4*8	2	4*8	
4	+	900807-06001	BEARING, BALL 6001	2	6001V(LB)	
5	+	900702-00028	CIRCLIP 28	1	CR-28	
6	+	175005-48931	DRUM, CLUTCH	1		
7	+	900701-00012	CIRCLIP 12	1	CS-12	
8		V804-000060	BOLT, TORX 4	4	TB-4*16 10.9	
9		610922-27432	HOLDER	1		
10		610923-55230	HOLDER	1		
11		610910-55230	CUSHION	1		
12		V805-000160	BOLT, TORX 5	2	TB-5*20 10.9	
13		A056-000780	CLUTCH ASY	1	22 C0.5 D50 NONR	

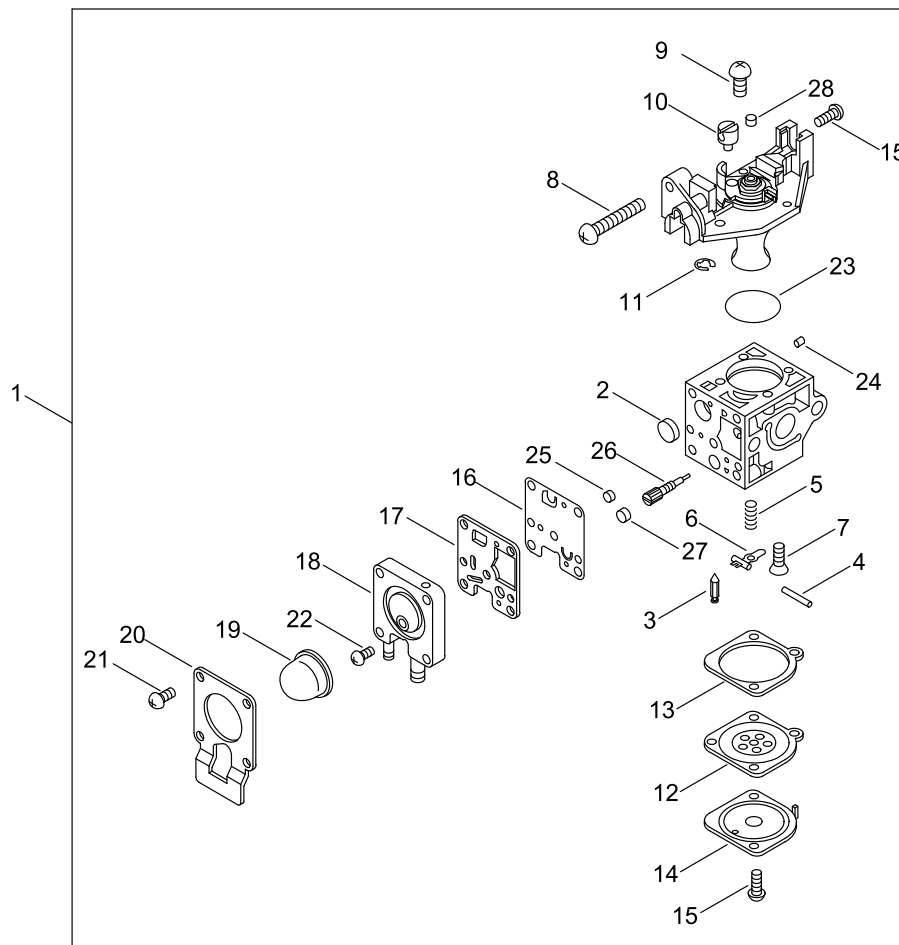
AIR CLEANER, CARBURETOR



## AIR CLEANER, CARBURETOR

KEY NO	LV(+)	Part No	Description	Qty	Standard	Comment
1		A021-003881	CARBURETOR, DIAPHRAGM	1	ZAMA RB-K113	
2		V103-001390	GASKET,INTAKE	1		
3		130017-44331	INSULATOR	1		
4		V805-000160	BOLT, TORX 5	2	TB-5*20 10.9	
5		900500-00005	NUT 5	2	5	
6		V103-001360	GASKET,INTAKE	1		
7		P021-015571	CASE, AIR CLEANER	1		
8		129011-52730	PLATE, PREVENT	1		
9		V805-000100	BOLT, TORX 5	2	TB-5*65 10.9	
10		P100-002260	LID,CLEANER ASY	1		
11	+	V299-000250	KNOB,FASTENER	1		
12		890332-52730	LABEL, CHOKE	1		
13		A226-001410	ELEMENT,AIR FILTER	1		

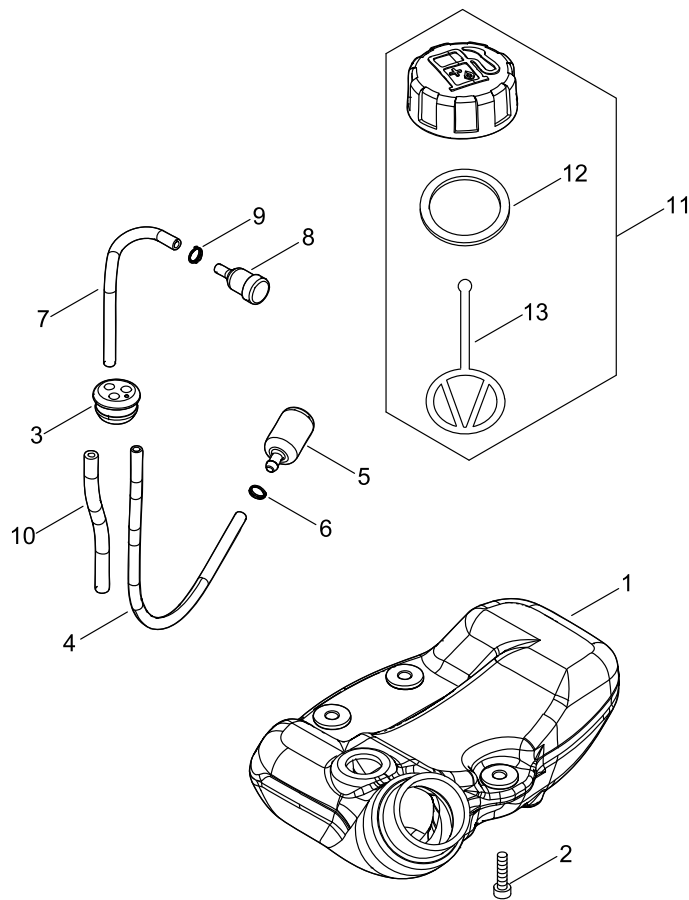
CARBURETOR



## CARBURETOR

KEY NO	LV(+)	Part No	Description	Qty	Standard	Comment
1		A021-003881	CARBURETOR, DIAPHRAGM	1	ZAMA RB-K113	
2	+	P005-000010	STRAINER	1		
3	+	125337-08260	VALVE, INLET NEEDLE	1		
4	+	125338-13930	PIN, METERING ARM	1		
5	+	P005-002430	SPRING, MET. LEVER	1		
6	+	125323-08260	ARM, VALVE	1		
7	+	125339-42030	SCREW	1		
8	+	P005-000100	SCREW, THROTTLEADJUST	1		
9	+	125344-13931	SCREW	3		
10	+	P005-001240	POST	1		
11	+	P005-000190	E-RING	1		
12	+	P005-002230	DIAPHRAGM ,METERING	1		
13	+	P005-000200	GASKET, METERING	1		
14	+	125342-52130	COVER, DIAPHRAGM	1		
15	+	125344-52130	SCREW	3		
16	+	P005-000510	DIAPHRAGM, PUMP	1		
17	+	P005-000520	GASKET, PUMP	1		
18	+	P005-001890	BASE, ASY PRIMER	1		
19	+	P005-003110	PUMP, PRIMER	1		
20	+	P005-000250	RETAINER	1		
21	+	P005-001900	SCREW	4		
22	+	P005-000270	SCREW	1		
23	+	P005-000280	O-RING	1		
24	+	P005-001000	ROLLER, GUIDE	1		
25	+	P005-001250	RETAINER,PLUG BALL	1		
26	+	P005-001260	SCREW,MAINN MIXTURE	1		
27	+	P005-001270	PLUG, AJUST SCREW	1		
28	+	A259-000010	CAP,LIMITER	1		

FUEL TANK

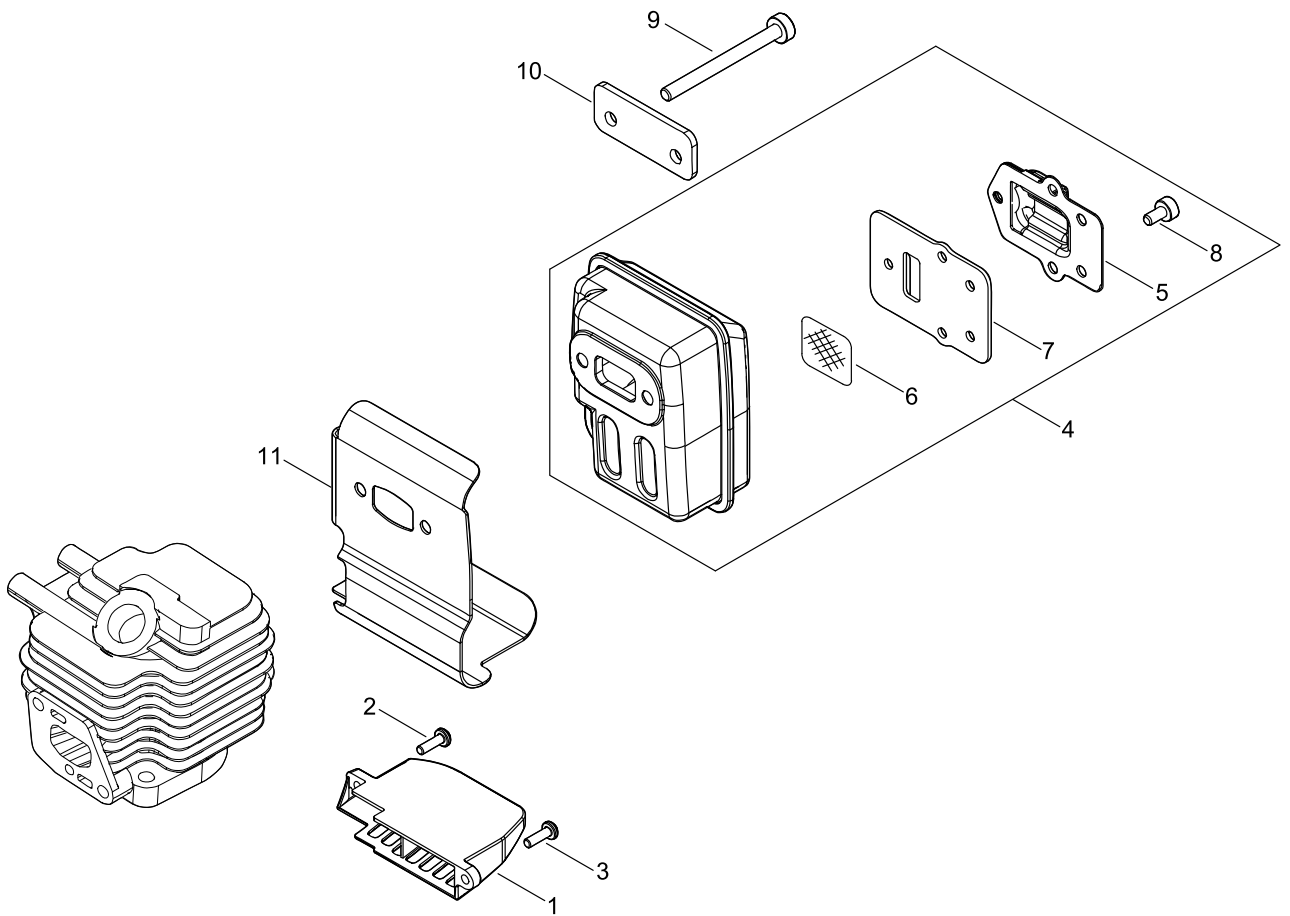


## FUEL TANK

KEY NO	LV(+)	Part No	Description	Qty	Standard	Comment
1		A350-000801	TANK, FUEL	1		
2		V805-000160	BOLT, TORX 5	3	TB-5*20 10.9	
3		132115-46730	GROMMET, FUEL	1		
4		V470-000841	PIPE	1	Φ5L字L180	
5		A369-000480	STRAINER, FUEL	1	125-959	
6		V490-001240	CLIP	1		
7		V471-001211	PIPE	1	3*5*90	
8		A356-000031	VALVE,CHECK	1		
9		V490-001240	CLIP	1		
10		132012-56030	PIPE	1	3*6*80 YL	
11		P021-012211	CAP,FUEL ASY	1		
12	+	V107-000190	GASKET,FUEL CAP	1	37.9*T2.2	
13	+	A365-000060	CONNECTOR,CAP	1	L=123	



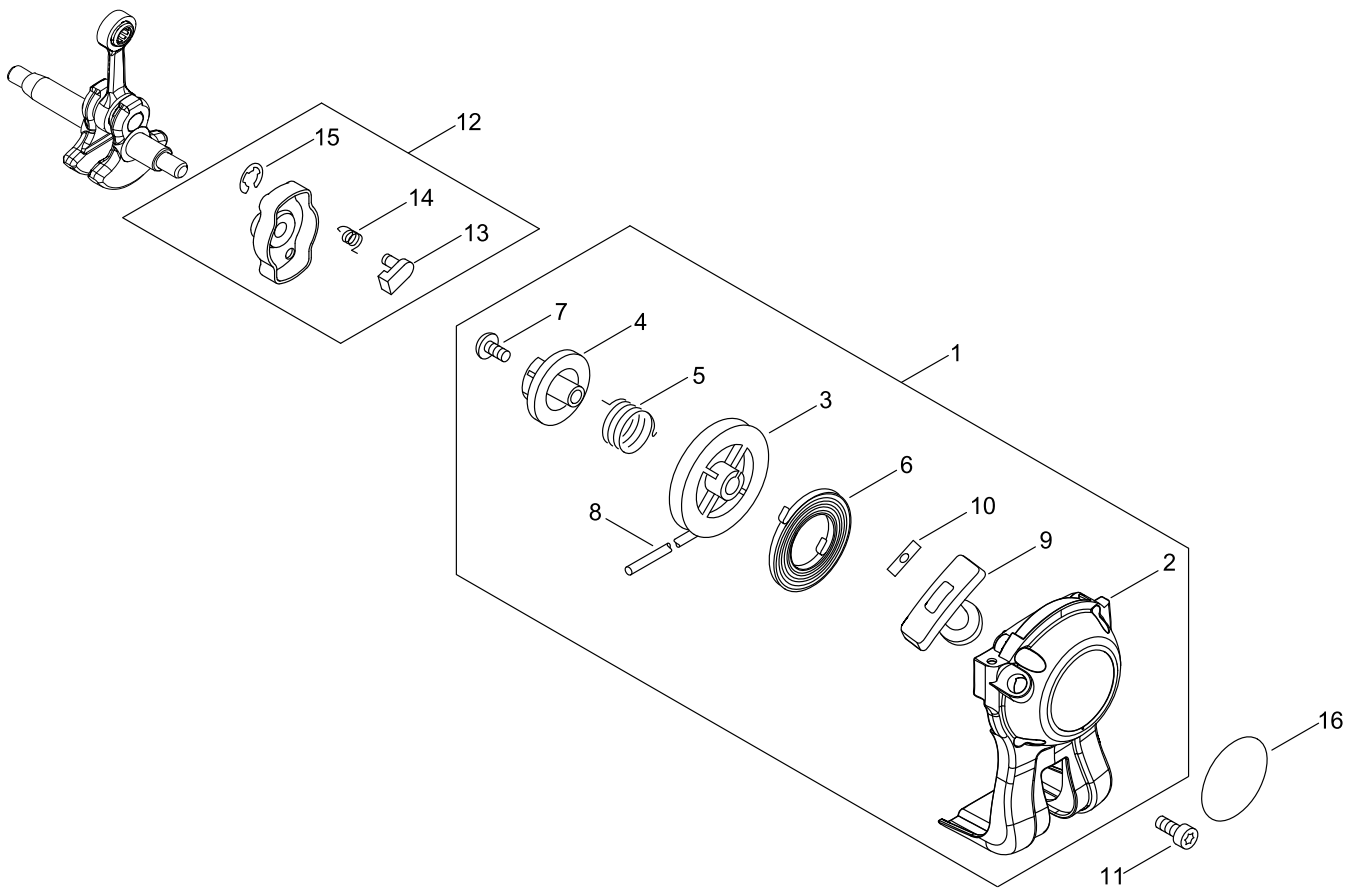
MUFFLER



## MUFFLER

KEY NO	LV(+)	Part No	Description	Qty	Standard	Comment
1		A320-000480	COVER,MUFFLER	1		
2		V805-000000	BOLT, TORX 5	1	TT-5*16 DG 10.9	
3		V805-000150	BOLT, TORX 5	1	TB-5*16 10.9	
4		P021-047652	MUFFLER ASY	1		
5	+	A313-000600	GUIDE,EXH	1		
6	+	145862-40630	SCREEN, MUFFLER	1		
7	+	V104-001761	GASKET,EXHAUST	1		
8	+	V804-000030	BOLT, TORX 4	5	TB-4*8 10.9	
9		V805-000190	BOLT, TORX 5	2	TB-5*55 12.9	
10		V150-000371	PLATE,EYE	1		
11		V104-000850	GASKET,EXHAUST	1	T1.0	

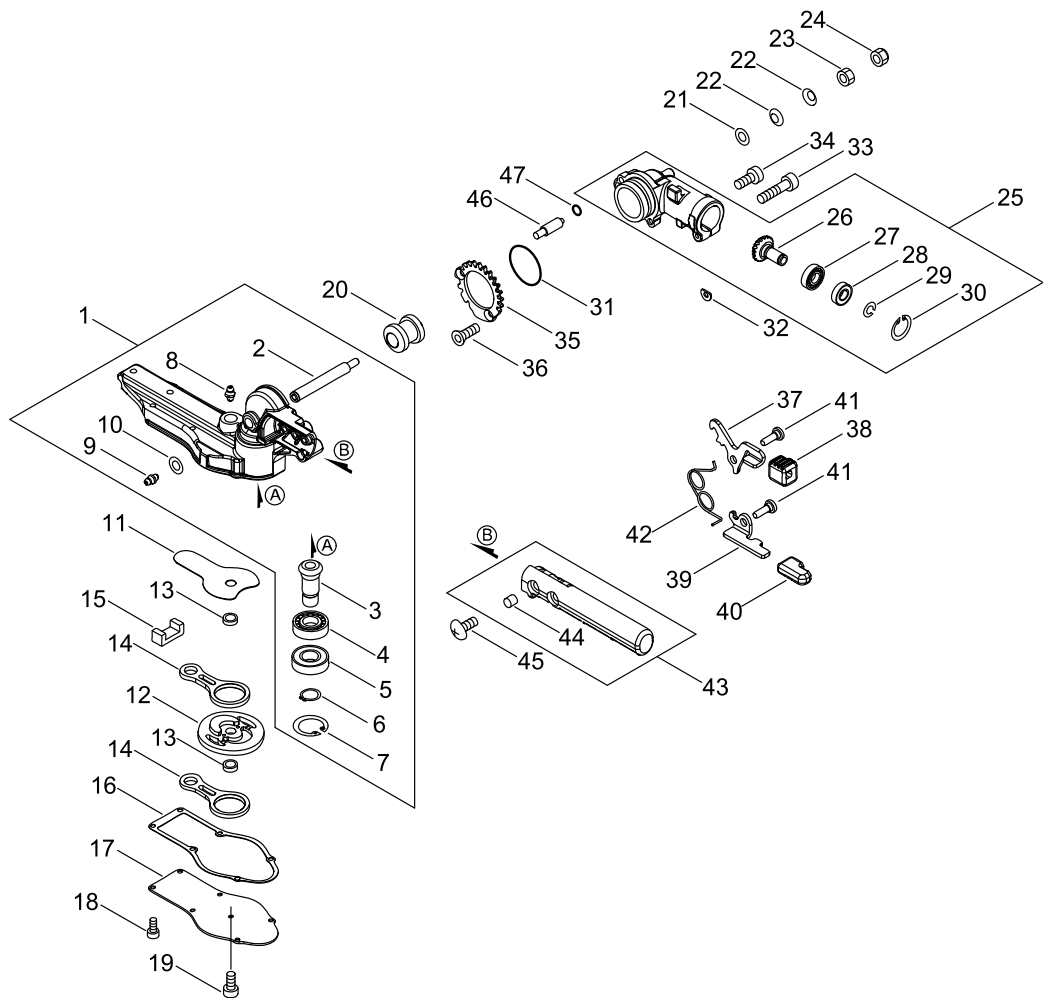
# RECOIL STARTER, PULLY



## RECOIL STARTER, PULLY

KEY NO	LV(+)	Part No	Description	Qty	Standard	Comment
1		A051-001312	STARTER,RECOIL ASY	1		
2	+	P022-036970	CASE,STARTER	1		
3	+	P022-034040	DRUM, STARTER	1		
4	+	P022-034030	PLATE, CAM	1		
5	+	P022-008270	SPRING,DAMPER	1		
6	+	P022-019680	SPRING, SPIRAL	1		
7	+	177236-61830	SCREW	1		
8	+	P022-019990	ROPE, STARTER	1		
9	+	177228-27030	GRIP, STARTER	1		
10	+	P022-037670	STOPPER, ROPE	1		
11		V804-000060	BOLT, TORX 4	4	TB-4*16 10.9	
12		A052-000180	PULLEY,ASM STARTER	1		
13	+	P022-006850	PAWL, STARTER	2		
14	+	P022-006510	SPRING, RETURN	2		
15	+	P022-002100	E-RING	2	4	
16		X502-000330	LABEL,ECHO	1	ECHO	

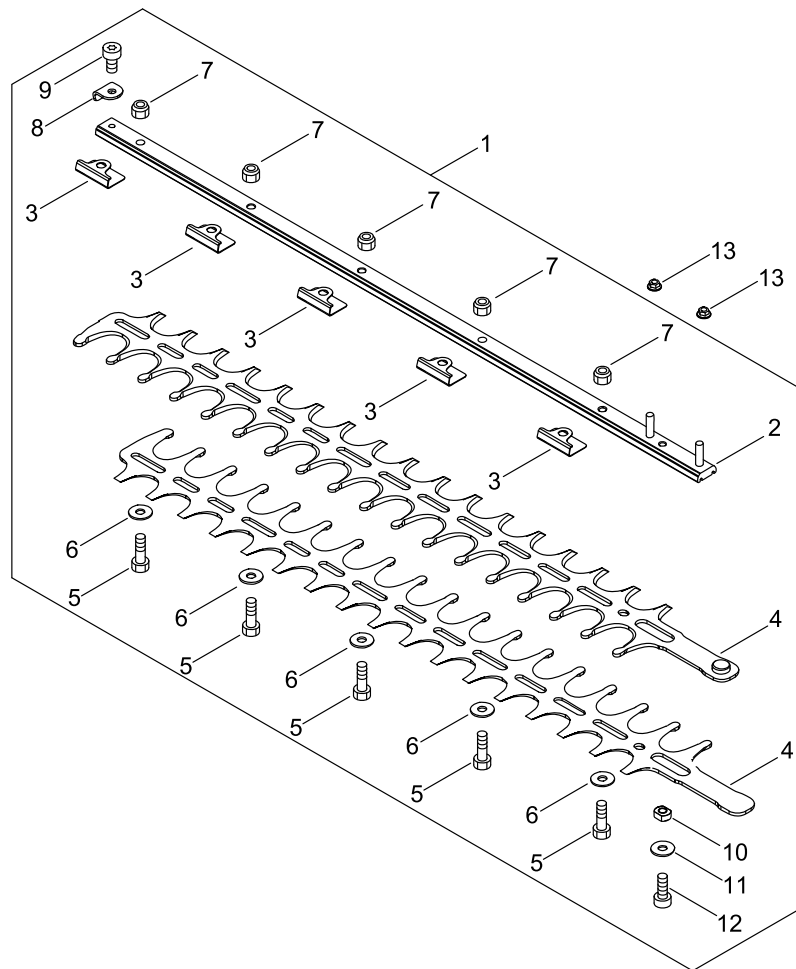
GEAR CASE



## GEAR CASE

KEY NO	LV(+)	Part No	Description	Qty	Standard	Comment
1		P100-004080	CASE,GEAR ASY	1		
2	+	C534-001010	SHAFT, GEAR	1	10 M6-M6	
3	+	V655-000090	SHAFT,PINION	1		
4	+	900800-36002	BEARING, BALL 6002	1	6002	
5	+	94004-36002	BEARING, BALL	1	BB6002ZZ/C3	
6	+	900701-00014	CIRCLIP 14	1	CS-14	
7	+	900702-00032	CIRCLIP 32	1	CR-32	
8	+	V187-000080	GREASE NIPPLE	1		
9	+	V187-000080	GREASE NIPPLE	1		
10		900603-00006	WASHER 6	1	6.5*13*1	
11		V150-003941	PLATE,EYE	1		
12		V650-000661	GEAR,SPUR	1		
13		V356-000730	COLLAR,10	2	9.5*13*L4	
14		C532-000360	ROD, CONNECTING	2		
15		V541-000570	SEAL	1		
16		V110-000180	GASKET,GEAR CASE	1		
17		C539-000160	LID,GEARCASE	1	T1.2	
18		V804-000110	BOLT, TORX 4	6	TB-4*10 12.9	
19		V805-000300	BOLT, TORX 5	1	TB-5*12 12.9	
20		P021-047570	GEAR,BEVEL SET	1		
21		900603-00006	WASHER 6	1	6.5*13*1	
22		V347-000030	CONE WASHER	2		
23		900502-00006	NUT 6 (3N)	1	3N6	
24		900560-00006	NUT, LOCK	1	6	
25		P021-047820	CASE ASY, GEAR	1		
26	+	V651-001000	GEAR,BEVEL	1		
27	+	900855-06901	BEARING, BALL 6901	1	6901	
28	+	900859-06901	BEARING, BALL	1	6901	
29	+	900706-00012	CIRCLIP 12	1	WR-12	
30	+	900702-00024	CIRCLIP 24	1	CR-24	
31		900724-00035	O-RING 35	1	S-35	
32		V340-000300	SHIM	1		
33		V805-000170	BOLT, TORX 5	1	TB-5*25 10.9	
34		V805-000130	BOLT, TORX 5	1	TB-5*10 10.9	
35		C465-000030	RESETTER, LATCH	1		
36		900175-05012	BOLT, H.S.H	2	5*12	
37		C661-000150	LEVER, RELEASE	1	T3.2	
38		V494-000880	CAP	1		
39		C661-000080	SAFTY LEVER	1		
40		V494-000891	CAP	1		
41		V204-000580	PIN RATCHET	2		
42		V452-000710	COIL SPRING	1		
43		C403-000480	HANDLE	1		
44	+	V354-000320	COLLAR	2		
45		91463-06020	SCREW TRUSS	2		
46		C226-000060	PIN,CONTROL	1		
47		900720-00005	O-RING 5	1	P-5	

CUTTING BLADE

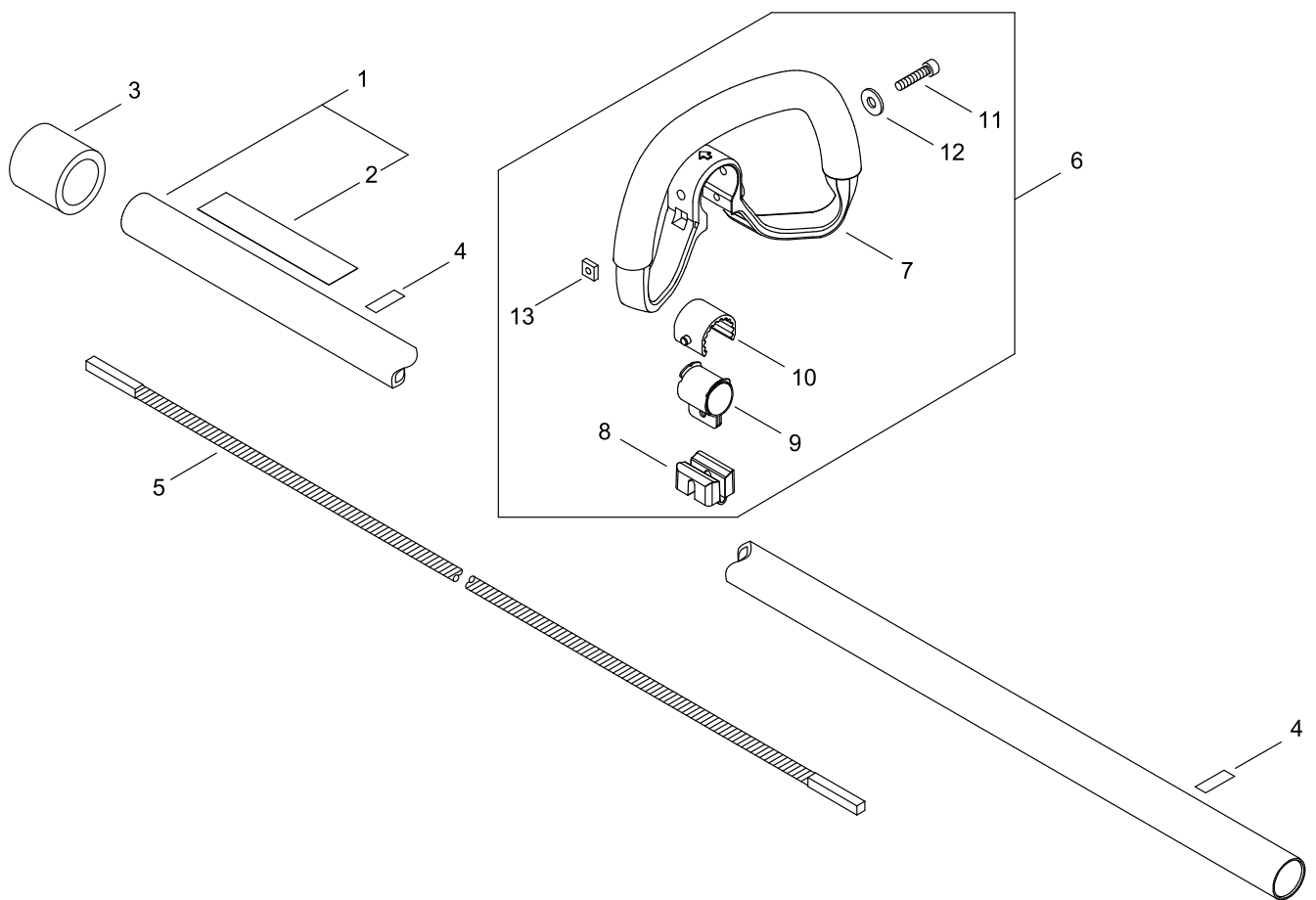


## CUTTING BLADE

KEY NO	LV(+)	Part No	Description	Qty	Standard	Comment
1		X041-000510	CUTTER,ASM	1		
2	+	X425-000920	SUPPORT,CUTTER	1	600MM	
3	+	X425-000930	SUPPORT,CUTTER	5	T0.5	
4	+	X411-001320	CUTTER	2	600MM T2.0	
5	+	V204-000570	BOLT	5		
6	+	V304-000240	WASHER	5		
7	+	433022-06460	NUT	5		
8	+	J447-001050	GUARD	1	T1.6	
9	+	V805-000120	BOLT, TORX 5	1	TB-5*8 10.9	
10	+	V376-002130	SPACER	1		
11	+	V304-000240	WASHER	1		
12	+	V805-000250	BOLT, TORX 5	1	TB-5*16 12.9	
13		V263-000330	FLANGE NUT	2		



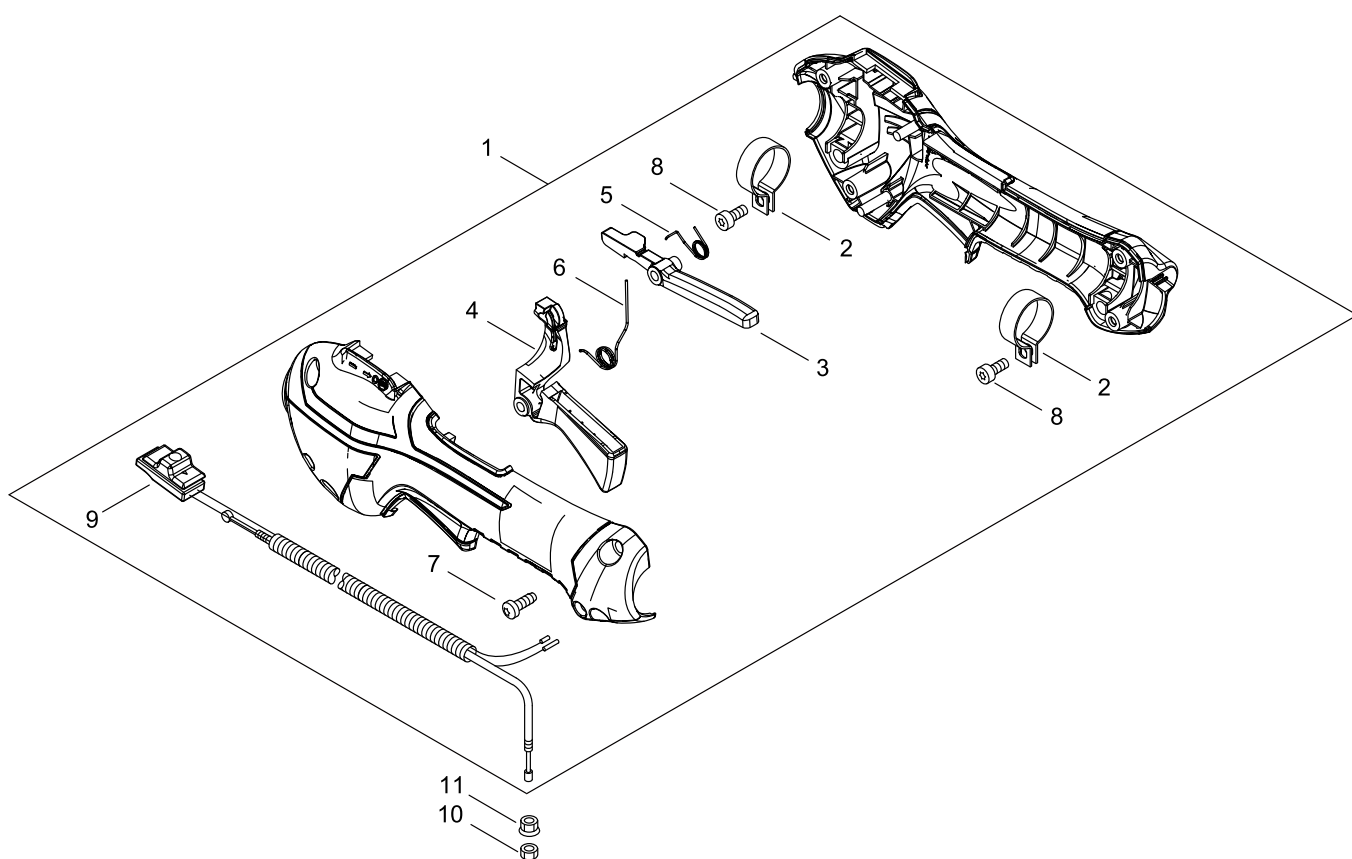
MAIN PIPE



## MAIN PIPE

KEY NO	LV(+)	Part No	Description	Qty	Standard	Comment
1		P021-047670	MAIN PIPE ASY	1		
2	+	X505-002890	LABEL CAUTION	1		
3		V362-000160	COLLAR,22	1		
4		890152-04930	LABEL, CAUTION	2		
5		C506-000370	SHAFT, FLEXIBLE	1	34.020 LNG	
6		P021-047681	HANDLE ASY	1		
7	+	C400-001021	HANDLE,FRONT	1		
8	+	C401-000280	PIECE,HANDLE	1		
9	+	C610-000050	FIXTURE, CUSHION	1		
10	+	V420-003700	CUSHION	1		
11	+	V805-000280	BOLT, TORX 5	1	TB-5*45 10.9	
12	+	900603-00005	WASHER 5	1	5.5*12*0.8	
13	+	V263-000130	NUT	1		

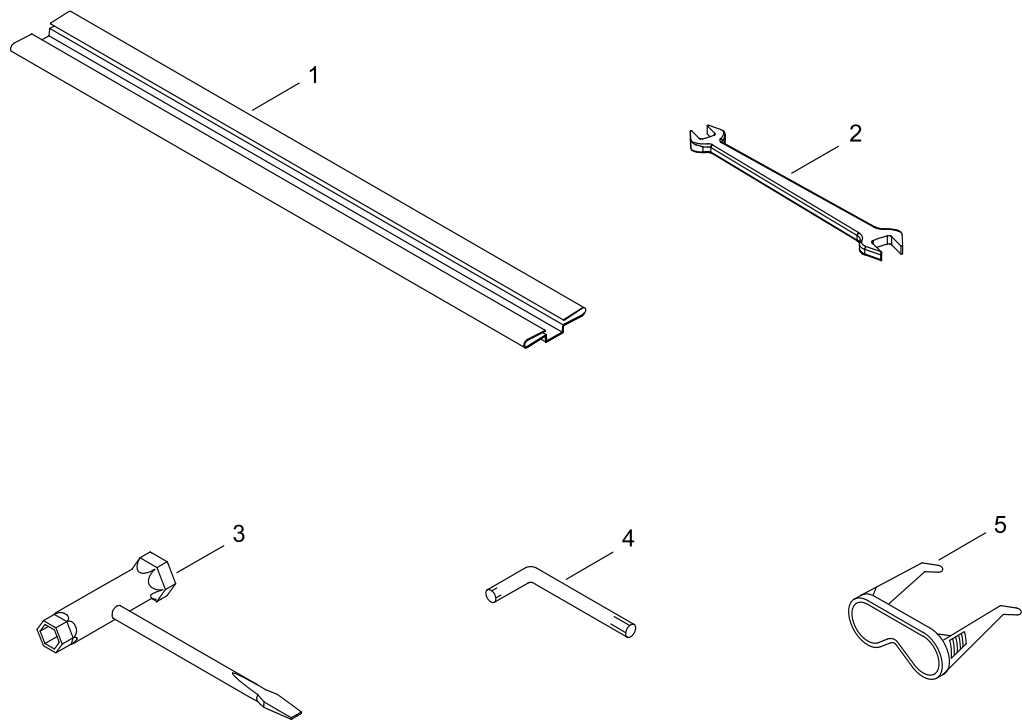
# THROTTLE



## THROTTLE

KEY NO	LV(+)	Part No	Description	Qty	Standard	Comment
1		P100-007070	THROTTLE ASY	1		
2	+	V495-003020	BAND	2		
3	+	C460-000441	LOCKOUT, THROTTLE	1	SRM-225 REDESIGN	
4	+	C453-000482	LEVER, THROTTLE	1	SRM-225 REDESIGN	
5	+	V452-001510	SPRING,TORSION	1	LOCKOUT LEVER	
6	+	V452-001520	SPRING,TORSION	1	THROTTLE LEVER	
7	+	V805-000000	BOLT, TORX 5	4	TT-5*16 DG 10.9	
8	+	V805-000150	BOLT, TORX 5	2	TB-5*16 10.9	
9	+	P021-047700	CABLE ASY, CONTROL	1		
10		900502-00006	NUT 6 (3N)	1	3N6	
11		900518-00006	NUT, FLANGE	1	6	

# ACCESSORIES



## ACCESSORIES

KEY NO	LV(+)	Part No	Description	Qty	Standard	Comment
1		X495-000570	SCABBARD,BLADE	1		
2		895112-00330	SPANNER 8*10	1		
3		895410-03930	WRENCH, W/S. DRIVER	1		
4		X605-000170	TOOL,L WRENCH	1		
5		X690-000080	GOGGLE	1	SI CHINA, Z87.1	

# NUMERICAL PARTS INDEX

Part No	Part description	Page	Part No	Part description	Page	Part No	Part description	Page
100013-1-1520	PIN, PISTON	2	610910-5-5230	CUSHION	8	900720-0-0005	O-RING 5	20
100014-1-1520	SPACER, PISTON PIN	2	610922-2-7432	HOLDER	8	900724-0-0035	O-RING 35	20
100015-0-4630	CIRCLIP, PISTON PIN	2	610923-5-5230	HOLDER	8	900800-3-6002	BEARING, BALL 6002	20
100212-4-2031	OILSEAL	4	890152-0-4930	LABEL, CAUTION	24	900807-0-6001	BEARING, BALL 6001	8
100242-4-2030	GASKET, CRANKCASE	4	890332-5-2730	LABEL, CHOKE	10	900855-0-6901	BEARING, BALL 6901	20
101010-4-4332	GASKET, CYL. BASE	2	895112-0-0330	SPANNER 8*10	28	900859-0-6901	BEARING, BALL	20
125323-0-8260	ARM, VALVE	12	895410-0-3930	WRENCH, W/S. DRIVER	28	91463-06-020	SCREW TRUSS	20
125337-0-8260	VALVE, INLET NEEDLE	12	900162-0-5022	BOLT, H.S. 5*22	2	94004-36-002	BEARING, BALL	20
125338-1-3930	PIN, METERING ARM	12	900162-0-5028	BOLT, H.S. 5*28	4	94035-36-201	BEARING BALL	4
125339-4-2030	SCREW	12	900175-0-5012	BOLT, H.S.H	20	A011-00-1410	CRANKSHAFT,ASY	2
125342-5-2130	COVER, DIAPHRAGM	12	900330-4-0080	PIN F 4*8	8	A021-00-3881	CARBURETOR, DIAPHRAGM	10
125344-1-3931	SCREW	12	900500-0-0005	NUT 5	10	A021-00-3881	CARBURETOR, DIAPHRAGM	12
125344-5-2130	SCREW	12	900502-0-0006	NUT 6 (3N)	20	A051-00-1312	STARTER,RECOIL ASY	18
129011-5-2730	PLATE, PREVENT	10	900502-0-0006	NUT 6 (3N)	26	A052-00-0180	PULLEY,ASM STARTER	18
130017-4-4331	INSULATOR	10	900518-0-0006	NUT, FLANGE	26	A056-00-0780	CLUTCH ASY	8
132012-5-6030	PIPE	14	900560-0-0006	NUT, LOCK	20	A101-00-0090	RING,PISTON	2
132115-4-6730	GROMMET, FUEL	14	900603-0-0005	WASHER 5	24	A130-00-2100	CYLINDER	2
145862-4-0630	SCREEN, MUFFLER	16	900603-0-0006	WASHER 6	20	A160-00-1090	COVER,CYLINDER	2
159116-2-1231	CLAMP	4	900701-0-0012	CIRCLIP 12	8	A172-00-0861	COVER,FAN	8
162014-2-7230	LEAD, GROUND	4	900701-0-0014	CIRCLIP 14	20	A226-00-1410	ELEMENT,AIR FILTER	10
175005-4-8931	DRUM, CLUTCH	8	900702-0-0024	CIRCLIP 24	20	A259-00-0010	CAP,LIMITER	12
177228-2-7030	GRIP, STARTER	18	900702-0-0028	CIRCLIP 28	8	A313-00-0600	GUIDE,EXH	16
177236-6-1830	SCREW	18	900702-0-0032	CIRCLIP 32	20	A320-00-0480	COVER,MUFFLER	16
433022-0-6460	NUT	22	900706-0-0012	CIRCLIP 12	20	A350-00-0801	TANK, FUEL	14

# NUMERICAL PARTS INDEX

Part No	Part description	Page	Part No	Part description	Page	Part No	Part description	Page
A356-00-0031	VALVE,CHECK	14	P005-00-0100	SCREW, THROTTLEADJUST	12	P021-04-7670	MAIN PIPE ASY	24
A365-00-0060	CONNECTOR,CAP	14	P005-00-0190	E-RING	12	P021-04-7681	HANDLE ASY	24
A369-00-0480	STRAINER, FUEL	14	P005-00-0200	GASKET, METERING	12	P021-04-7700	CABLE ASY, CONTROL	26
A409-00-0160	ROTOR,MAGNETO	6	P005-00-0250	RETAINER	12	P021-04-7820	CASE ASY, GEAR	20
A411-00-0131	COIL,IGNITION	6	P005-00-0270	SCREW	12	P022-00-2100	E-RING	18
A425-00-0000	SPARKPLUG	6	P005-00-0280	O-RING	12	P022-00-6510	SPRING, RETURN	18
A426-00-0010	TERMINAL, SPARKPLUG	6	P005-00-0510	DIAPHRAGM, PUMP	12	P022-00-6850	PAWL, STARTER	18
A427-00-0013	CAP,SPARK PLUG	6	P005-00-0520	GASKET, PUMP	12	P022-00-8270	SPRING,DAMPER	18
C226-00-0060	PIN,CONTROL	20	P005-00-1000	ROLLER, GUIDE	12	P022-01-9680	SPRING, SPIRAL	18
C400-00-1021	HANDLE,FRONT	24	P005-00-1240	POST	12	P022-01-9990	ROPE, STARTER	18
C401-00-0280	PIECE,HANDLE	24	P005-00-1250	RETAINER,PLUG BALL	12	P022-03-4030	PLATE, CAM	18
C403-00-0480	HANDLE	20	P005-00-1260	SCREW,MAINN MIXTURE	12	P022-03-4040	DRUM, STARTER	18
C453-00-0482	LEVER, THROTTLE	26	P005-00-1270	PLUG, AJUST SCREW	12	P022-03-6970	CASE,STARTER	18
C460-00-0441	LOCKOUT, THROTTLE	26	P005-00-1890	BASE, ASY PRIMER	12	P022-03-7670	STOPPER, ROPE	18
C465-00-0030	RESETTER, LATCH	20	P005-00-1900	SCREW	12	P100-00-1870	CRANKCASE SET	4
C506-00-0370	SHAFT, FLEXIBLE	24	P005-00-2230	DIAPHRAGM , METERING	12	P100-00-2260	LID,CLEANER ASY	10
C532-00-0360	ROD, CONNECTING	20	P005-00-2430	SPRING, MET. LEVER	12	P100-00-4080	CASE,GEAR ASY	20
C534-00-1010	SHAFT, GEAR	20	P005-00-3110	PUMP, PRIMER	12	P100-00-7070	THROTTLE ASY	26
C539-00-0160	LID,GEARCASE	20	P021-00-7712	PISTON KIT	2	V103-00-1360	GASKET,INTAKE	10
C610-00-0050	FIXTURE, CUSHION	24	P021-01-2211	CAP,FUEL ASY	14	V103-00-1390	GASKET,INTAKE	10
C661-00-0080	SAFTY LEVER	20	P021-01-5571	CASE, AIR CLEANER	10	V104-00-0850	GASKET,EXHAUST	16
C661-00-0150	LEVER, RELEASE	20	P021-04-7570	GEAR,BEVEL SET	20	V104-00-1761	GASKET,EXHAUST	16
J447-00-1050	GUARD	22	P021-04-7631	FAN COVER ASY	8	V107-00-0190	GASKET,FUEL CAP	14
P005-00-0010	STRAINER	12	P021-04-7652	MUFFLER ASY	16	V110-00-0180	GASKET,GEAR CASE	20



# NUMERICAL PARTS INDEX

Part No	Part description	Page	Part No	Part description	Page	Part No	Part description	Page
V150-00-0371	PLATE,EYE	16	V494-00-0880	CAP	20	V805-00-0160	BOLT, TORX 5	10
V150-00-3941	PLATE,EYE	20	V494-00-0891	CAP	20	V805-00-0160	BOLT, TORX 5	14
V187-00-0080	GREASE NIPPLE	20	V495-00-3020	BAND	26	V805-00-0170	BOLT, TORX 5	20
V204-00-0570	BOLT	22	V541-00-0570	SEAL	20	V805-00-0190	BOLT, TORX 5	16
V204-00-0580	PIN RATCHET	20	V553-00-0060	BEARING,NEEDLE 8	2	V805-00-0250	BOLT, TORX 5	22
V263-00-0130	NUT	24	V650-00-0661	GEAR,SPUR	20	V805-00-0280	BOLT, TORX 5	24
V263-00-0330	FLANGE NUT	22	V651-00-1000	GEAR,BEVEL	20	V805-00-0300	BOLT, TORX 5	20
V299-00-0250	KNOB,FASTENER	10	V655-00-0090	SHAFT,PINION	20	X041-00-0510	CUTTER,ASM	22
V304-00-0240	WASHER	22	V804-00-0030	BOLT, TORX 4	16	X411-00-1320	CUTTER	22
V340-00-0300	SHIM	20	V804-00-0060	BOLT, TORX 4	8	X425-00-0920	SUPPORT,CUTTER	22
V347-00-0030	CONE WASHER	20	V804-00-0060	BOLT, TORX 4	18	X425-00-0930	SUPPORT,CUTTER	22
V354-00-0320	COLLAR	20	V804-00-0070	BOLT, TORX 4	6	X495-00-0570	SCABBARD,BLADE	28
V356-00-0730	COLLAR,10	20	V804-00-0110	BOLT, TORX 4	20	X502-00-0330	LABEL,ECHO	18
V362-00-0160	COLLAR,22	24	V805-00-0000	BOLT, TORX 5	2	X505-00-2890	LABEL CAUTION	24
V376-00-2130	SPACER	22	V805-00-0000	BOLT, TORX 5	16	X505-00-7710	LABEL,CAUTION	2
V420-00-3700	CUSHION	24	V805-00-0000	BOLT, TORX 5	26	X524-00-1901	LABEL	2
V452-00-0710	COIL SPRING	20	V805-00-0100	BOLT, TORX 5	10	X547-00-2660	LABEL,ECHO	2
V452-00-1510	SPRING,TORSION	26	V805-00-0120	BOLT, TORX 5	22	X605-00-0170	TOOL,L WRENCH	28
V452-00-1520	SPRING,TORSION	26	V805-00-0130	BOLT, TORX 5	4	X690-00-0080	GOGGLE	28
V470-00-0841	PIPE	14	V805-00-0130	BOLT, TORX 5	20			
V471-00-1211	PIPE	14	V805-00-0150	BOLT, TORX 5	2			
V475-00-7200	TUBE	6	V805-00-0150	BOLT, TORX 5	16			
V485-00-1120	LEAD	6	V805-00-0150	BOLT, TORX 5	26			
V490-00-1240	CLIP	14	V805-00-0160	BOLT, TORX 5	8			