

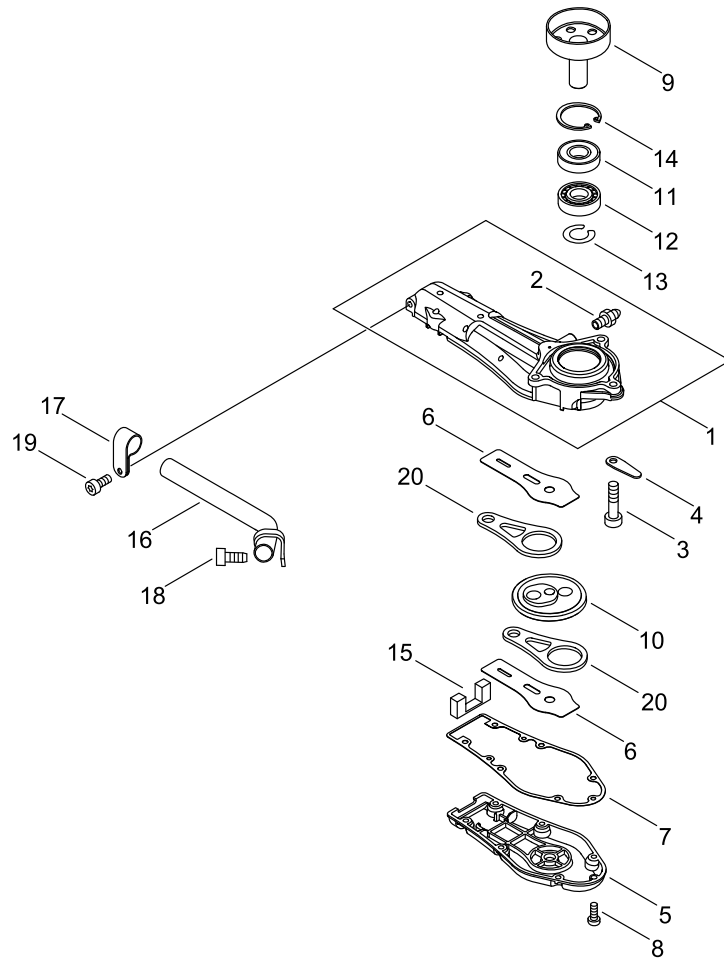
HCR-165ES

Published:05/16/2017

TABLE OF CONTENTS

GEAR CASE	1
BLADE	3
CYLINDER, CRANKCASE, PISTON	5
MAGNETO.....	7
RECOIL STARTER.....	9
AIR CLEANER, CARBURETOR.....	11
CARBURETOR.....	13
FUEL TANK.....	15
MUFFLER	17
CLUTCH.....	19
HANDLE.....	21
ACCESSORIES	23

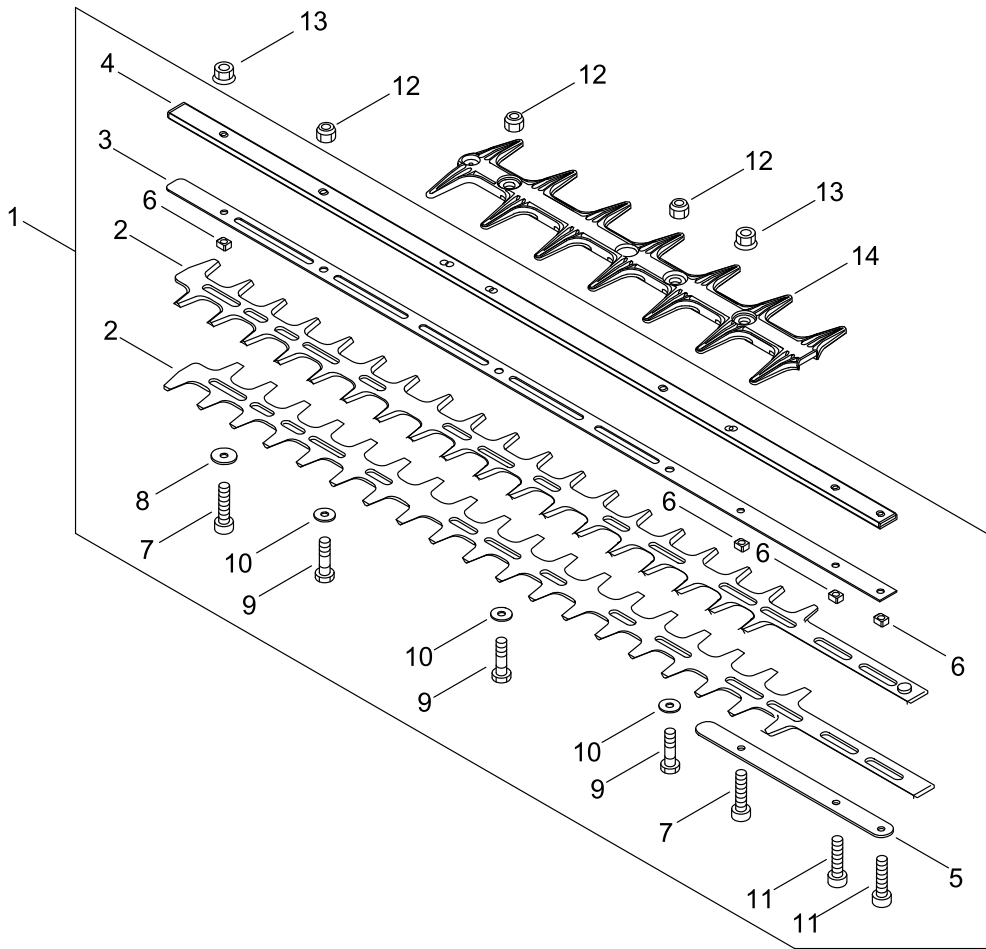
GEAR CASE



GEAR CASE

KEY NO	LV(+)	Part No	Description	Qty	Standard
1		P021-013070	CASE,GEAR	1	
2	+	880110-10860	NIPPLE, GREASE	1	
3		V806-000140	BOLT, TORX 6	3	TB-6*45 12.9
4		C628-000160	PIECE, PLATE	1	
5		C539-000021	LID,GEARCASE	1	
6		V150-001810	PLATE,EYE	2	T0.5
7		V110-000060	GASKET,GEAR CASE	1	T0.3
8		V804-000060	BOLT, TORX 4	6	TB-4*16 10.9
9		A556-001630	DRUM, CLUTCH	1	50 T:1.4
10		V650-000300	GEAR,SPUR	1	46T
11		900812-06202	BEARING, BALL 6202	1	6202DDU(LLU)
12		900810-36202	BEARING, BALL 6202	1	6202/C3
13		900701-00014	CIRCLIP 14	1	CS-14
14		900702-00035	CIRCLIP 35	1	CR-35
15		V541-000140	SEAL	1	
16		A313-002000	GUIDE, EXHAUST	1	
17		A319-000510	STAY, MUFFLER	1	
18		V805-000130	BOLT, TORX 5	1	TB-5*10 10.9
19		V804-000040	BOLT, TORX 4	1	TB-4*10 10.9
20		C532-000170	ROD, CONNECTING	2	

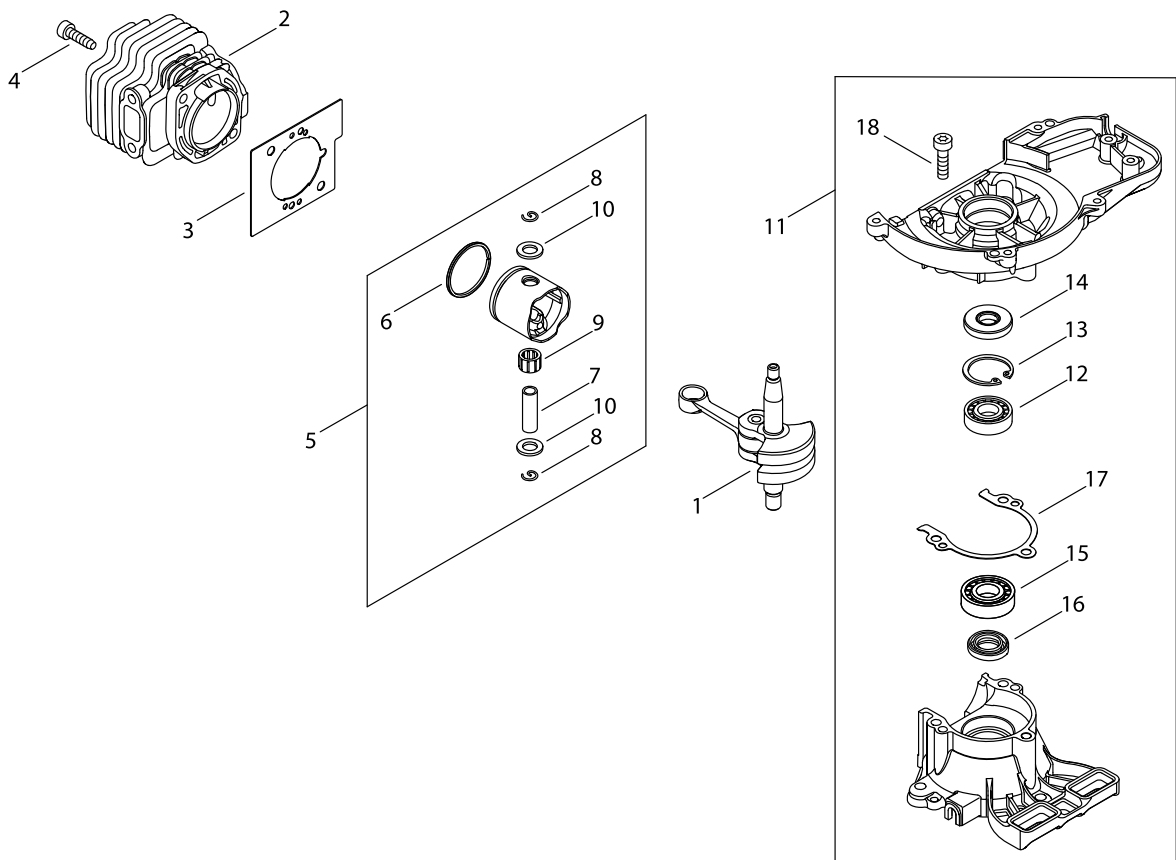
BLADE



BLADE

KEY NO	LV(+)	Part No	Description	Qty	Standard
1		P100-002710	CUTTER,ASM	1	
2	+	X412-000640	CUTTER	2	
3	+	X425-000840	SUPPORT,CUTTER	1	
4	+	X425-000900	SUPPORT,CUTTER	1	
5	+	V150-001800	PLATE,EYE	1	T2.0
6	+	V353-000250	COLLAR	4	9*7.45*5.3
7	+	V805-000170	BOLT, TORX 5	2	TB-5*25 10.9
8	+	177214-21860	WASHER	1	5.2*16*1.6T
9	+	V204-000510	BOLT	3	
10	+	V304-000240	WASHER	3	
11	+	V805-000220	BOLT, TORX 5	2	TB-5*25 12.9
12		433022-06460	NUT	3	
13		92108-05000	NUT, FLANGE	2	
14		X431-000210	BLUNT	1	

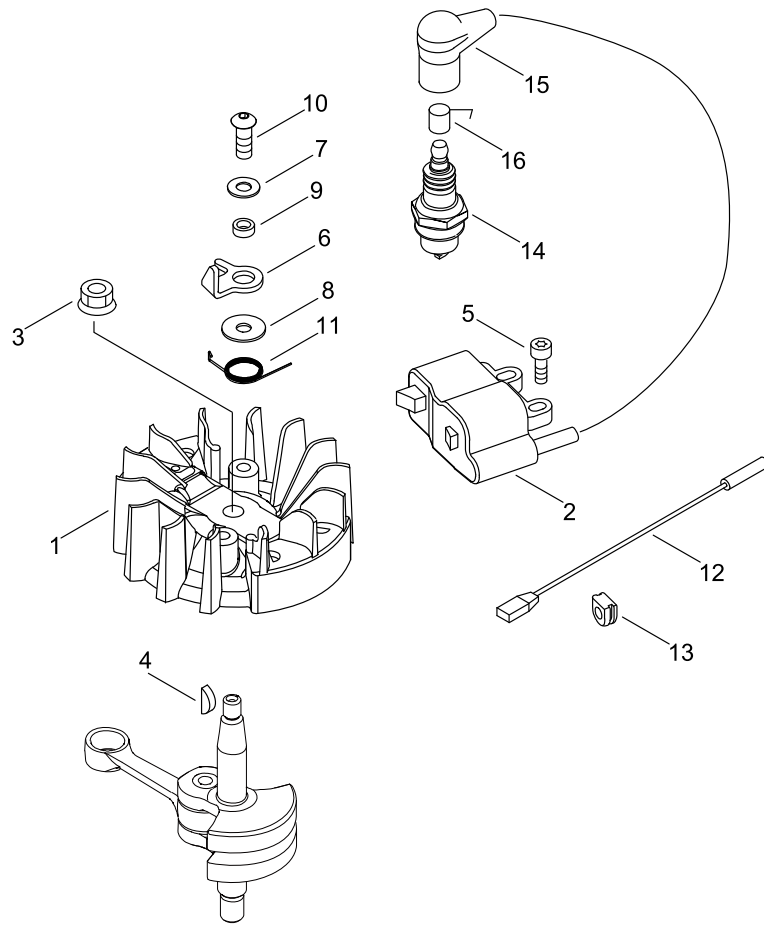
CYLINDER, CRANKCASE, PISTON



CYLINDER, CRANKCASE, PISTON

KEY NO	LV(+)	Part No	Description	Qty	Standard
1		A011-001360	CRANKSHAFT,ASY	1	
2		A130-001960	CYLINDER	1	
3		V100-000720	GASKET,CYL	1	
4		V805-000210	BOLT, TORX 5	2	TB-5*20 12.9
5		P021-037930	PISTON KIT	1	
6	+	A101-000090	RING,PISTON	1	
7	+	V606-000020	PIN,ENG 8	1	5.8*8*25.5
8	+	100015-04630	CIRCLIP, PISTON PIN	2	
9	+	100113-05930	BEARING, NEEDLE	1	8*12*8
10	+	100014-08960	SPACER, PISTON PIN	2	
11		P021-046110	CRANKCASE SET	1	
12	+	900810-36000	BEARING, BALL	1	
13	+	900702-00026	CIRCLIP 26	1	CR-26
14	+	100213-61830	OILSEAL	1	ISCD 10*26*5
15	+	900810-36000	BEARING, BALL	1	
16	+	100212-61830	OILSEAL	1	ISCD 10*20*5
17	+	V102-000240	GASKET,CRANKCASE	1	
18	+	V805-000220	BOLT, TORX 5	3	TB-5*25 12.9

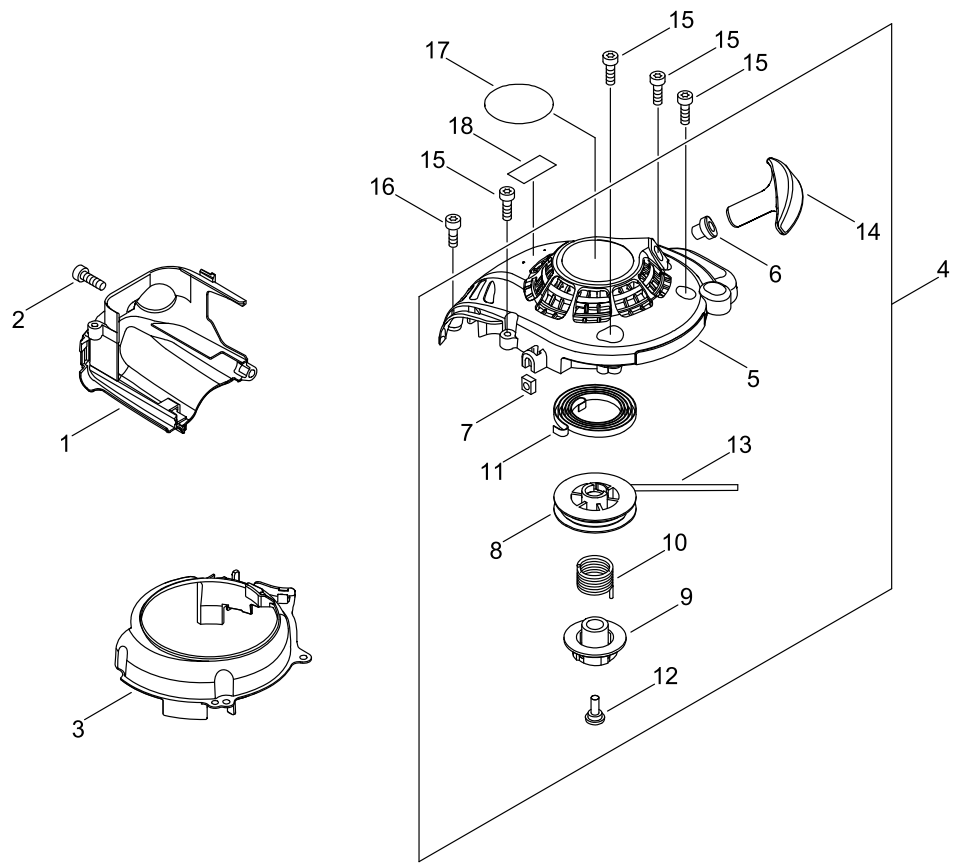
MAGNETO



MAGNETO

KEY NO	LV(+)	Part No	Description	Qty	Standard
1		A409-001120	ROTOR, MAGNETO	1	
2		A411-001490	COIL, IGNITION	1	
3		92105-06000	NUT, FLANGE	1	M6*1.0 L
4		100142-12330	KEY, WOODRUFF	1	
5		V804-000060	BOLT, TORX 4	2	TB-4*16 10.9
6		A514-000260	PAWL	2	
7		900603-00005	WASHER 5	2	5.5*12*0.8
8		131911-03460	WASHER	2	
9		178070-10860	SPACER	2	
10		V203-000080	BOLT,5	2	5*14
11		V452-001370	SPRING,TORSION	2	
12		V485-001220	LEAD	1	L:85
13		V135-000150	GROMMET,HT CORD	1	
14		A425-000000	SPARKPLUG	1	BPMR8Y
15		A427-000013	CAP,SPARK PLUG	1	
16		A426-000010	TERMINAL,SPARKPLUG	1	

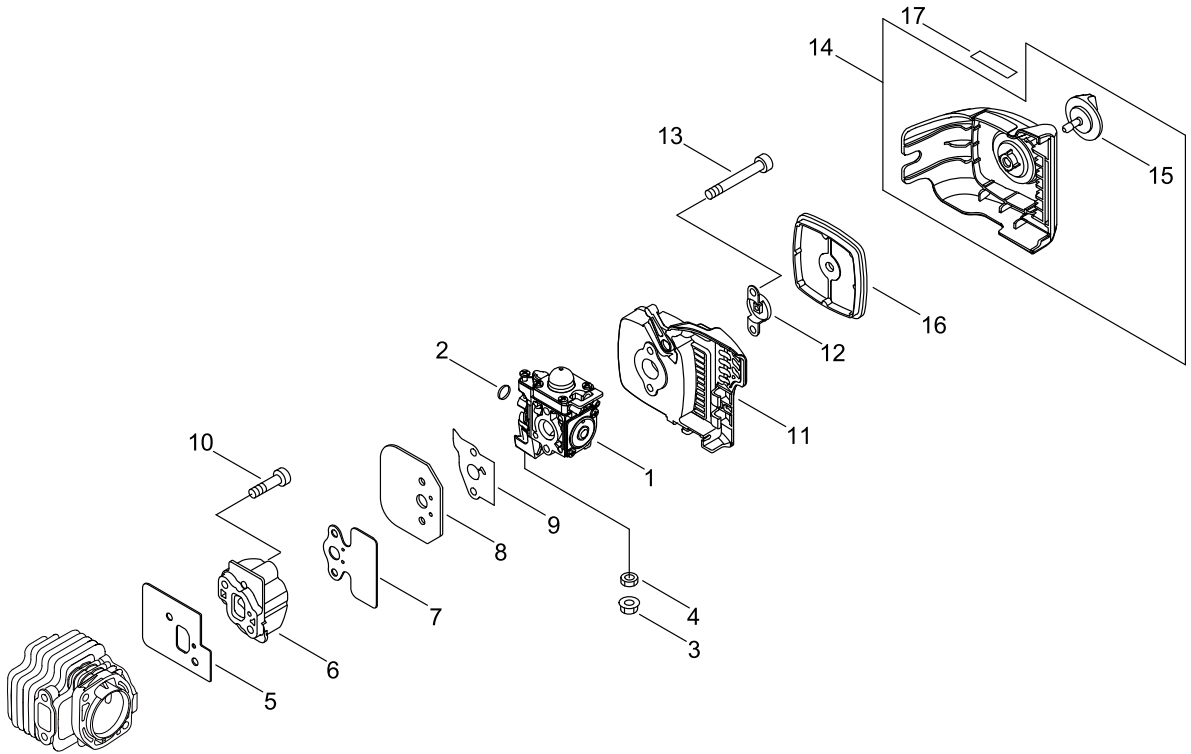
RECOIL STARTER



RECOIL STARTER

KEY NO	LV(+)	Part No	Description	Qty	Standard
1		A160-002940	COVER,CYLINDER	1	
2		V805-000150	BOLT, TORX 5	1	TB-5*16 10.9
3		A172-002610	COVER,FAN	1	
4		A051-002373	STARTER,RECOIL ASY	1	
5	+	P022-036941	CASE, STARTER	1	
6	+	177227-42030	GUIDE, ROPE	1	
7	+	P022-022010	NUT	1	5
8	+	P022-027980	DRUM, STARTER	1	
9	+	P022-037310	PLATE, CAM	1	
10	+	P022-008270	SPRING,DAMPER	1	
11	+	177220-42030	SPRING, REWIND	1	
12	+	177236-61830	SCREW	1	
13	+	P022-006800	ROPE, STARTER	1	3.0*880
14	+	177228-44330	GRIP, STARTER	1	
15		V804-000060	BOLT, TORX 4	4	TB-4*16 10.9
16		V804-000010	BOLT, TORX 4	1	TT-4*16 DG 10.9
17		X502-000890	LABEL,ECHO	1	
18		X543-004320	LABEL,MODEL	1	HCR-165ES

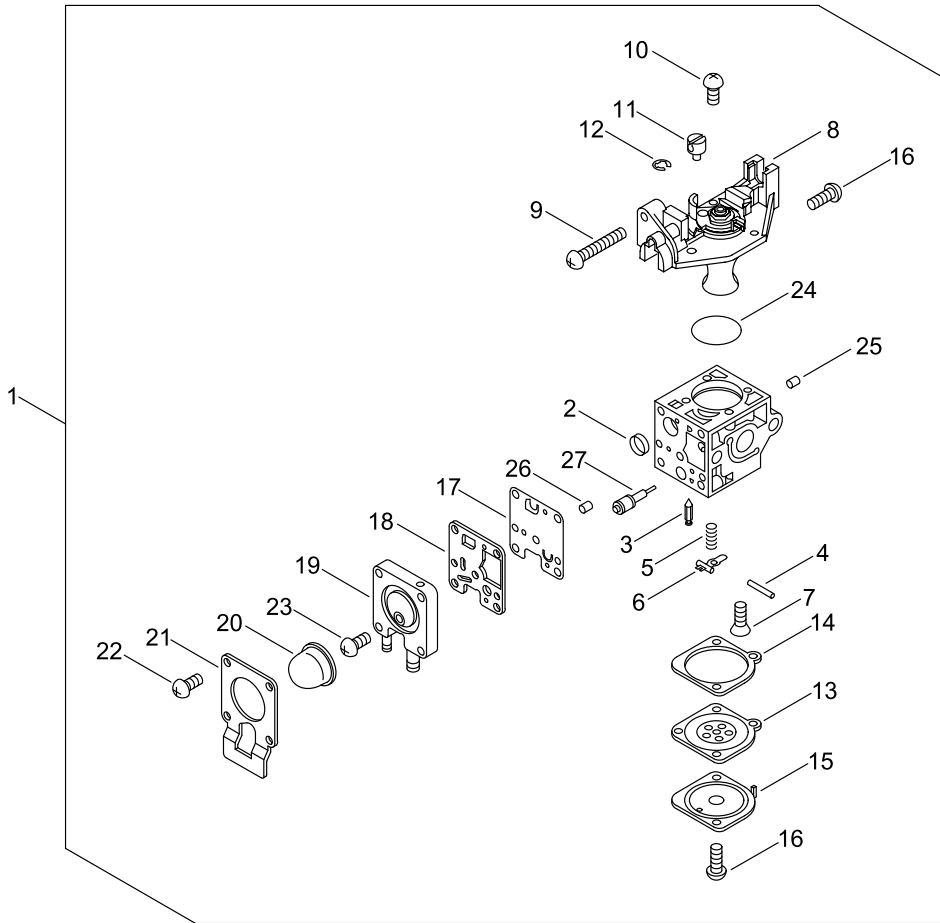
AIR CLEANER, CARBURETOR



AIR CLEANER, CARBURETOR

KEY NO	LV(+)	Part No	Description	Qty	Standard
1		A021-004231	CARBURETOR, DIAPHRAGM	1	RB-K119
2		V490-001100	CLIP	1	
3		900515-00006	NUT, FLANGE 6	1	6
4		900502-00006	NUT 6 (3N)	1	3N6
5		V103-001401	GASKET,INTAKE	1	
6		A200-000941	INSULATOR, INTAKE	1	
7		V103-001730	GASKET,INTAKE	1	T:1.0
8		A209-000610	PLATE, INSULATOR	1	
9		V103-001740	GASKET,INTAKE	1	
10		V805-000170	BOLT, TORX 5	2	TB-5*25 10.9
11		P021-046090	CASE,CLEANER	1	
12		A244-000070	PLATE,PREVENT	1	
13		V805-000100	BOLT, TORX 5	2	TB-5*65 10.9
14		P021-046100	LID,CLEANER ASY	1	
15	+	V299-000410	KNOB	1	
16		A226-001410	ELEMENT,AIR FILTER	1	
17		890332-52730	LABEL, CHOKE	1	

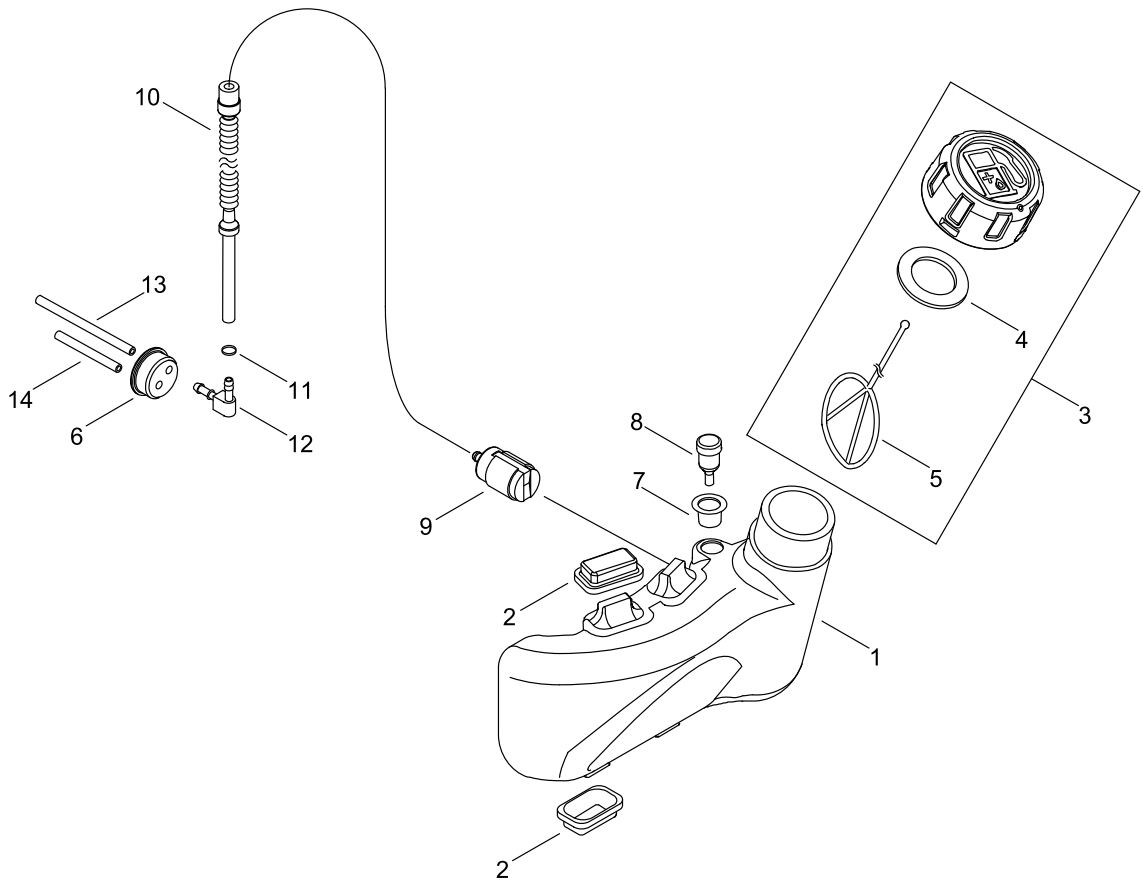
CARBURETOR



CARBURETOR

KEY NO	LV(+)	Part No	Description	Qty	Standard
1		A021-004231	CARBURETOR, DIAPHRAGM	1	RB-K119
2	+	P005-000010	STRAINER	1	
3	+	125337-08260	VALVE, INLET NEEDLE	1	
4	+	125338-13930	PIN, METERING ARM	1	
5	+	P005-000940	SPRING, METER. LEVER	1	
6	+	125323-08260	ARM, VALVE	1	
7	+	125339-42030	SCREW	1	
8	+	P005-002050	COVER ASY, ROTOR	1	
9	+	P005-000100	SCREW, THROTTLEADJUST	1	
10	+	125344-13931	SCREW	3	
11	+	P005-002200	POST	1	
12	+	P005-000190	E-RING	1	
13	+	P005-002230	DIAPHRAGM ,METERING	1	
14	+	P005-000200	GASKET, METERING	1	
15	+	125342-52130	COVER, DIAPHRAGM	1	
16	+	125344-52130	SCREW	3	
17	+	P005-000510	DIAPHRAGM, PUMP	1	
18	+	P005-000520	GASKET, PUMP	1	
19	+	P005-001890	BASE, ASY PRIMER	1	
20	+	P005-003110	PUMP, PRIMER	1	
21	+	P005-000250	RETAINER	1	
22	+	P005-001900	SCREW	4	
23	+	P005-000270	SCREW	1	
24	+	P005-000280	O-RING	1	
25	+	P005-001000	ROLLER, GUIDE	1	
26	+	P005-001250	RETAINER,PLUG BALL	1	
27	+	P005-001260	SCREW,MAINN MIXTURE	1	

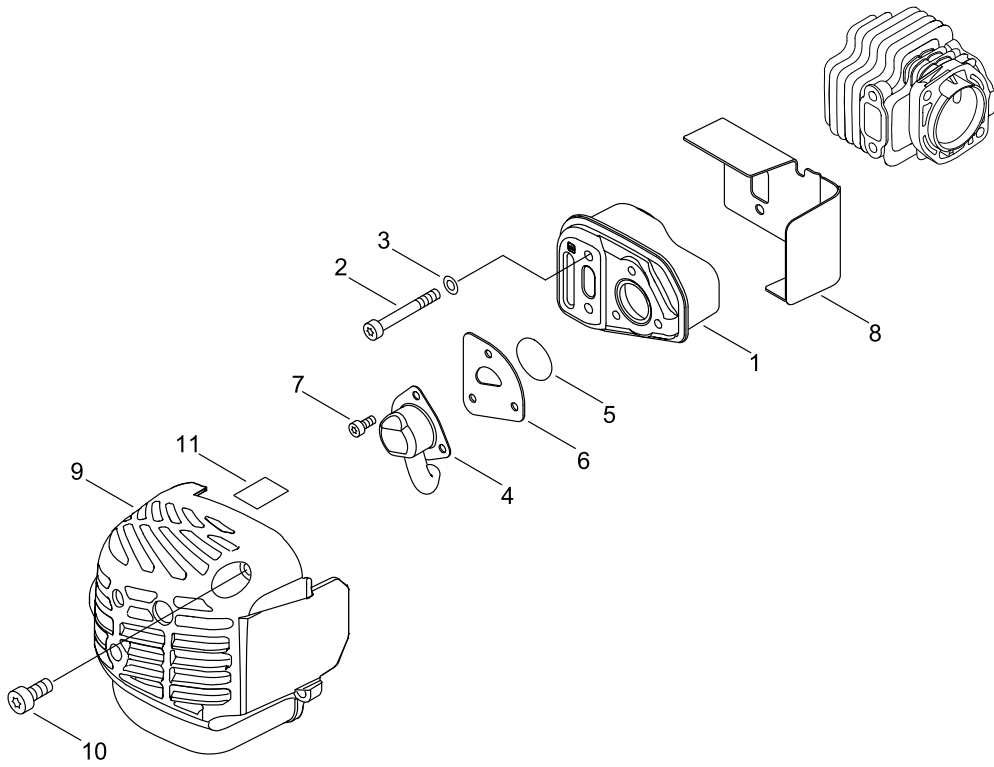
FUEL TANK



FUEL TANK

KEY NO	LV(+)	Part No	Description	Qty	Standard
1		A350-001880	TANK, FUEL	1	
2		V420-004490	CUSHION	4	
3		P021-046080	FUEL CAP ASY	1	
4	+	131016-55830	GASKET, FUEL CAP	1	
5	+	A365-000060	CONNECTOR,CAP	1	L=123
6		132115-44330	GROMMET	1	
7		V137-000000	GROMMET,FUEL	1	
8		A356-000031	VALVE,CHECK	1	
9		A369-000480	STRAINER, FUEL	1	125-959
10		V471-003510	PIPE	1	L=125
11		V490-000500	CLIP	1	
12		V186-000270	JOINT,PIPE	1	
13		V471-003500	PIPE	1	L=92
14		132010-49730	PIPE 3*6*85	1	3*6*85 YL

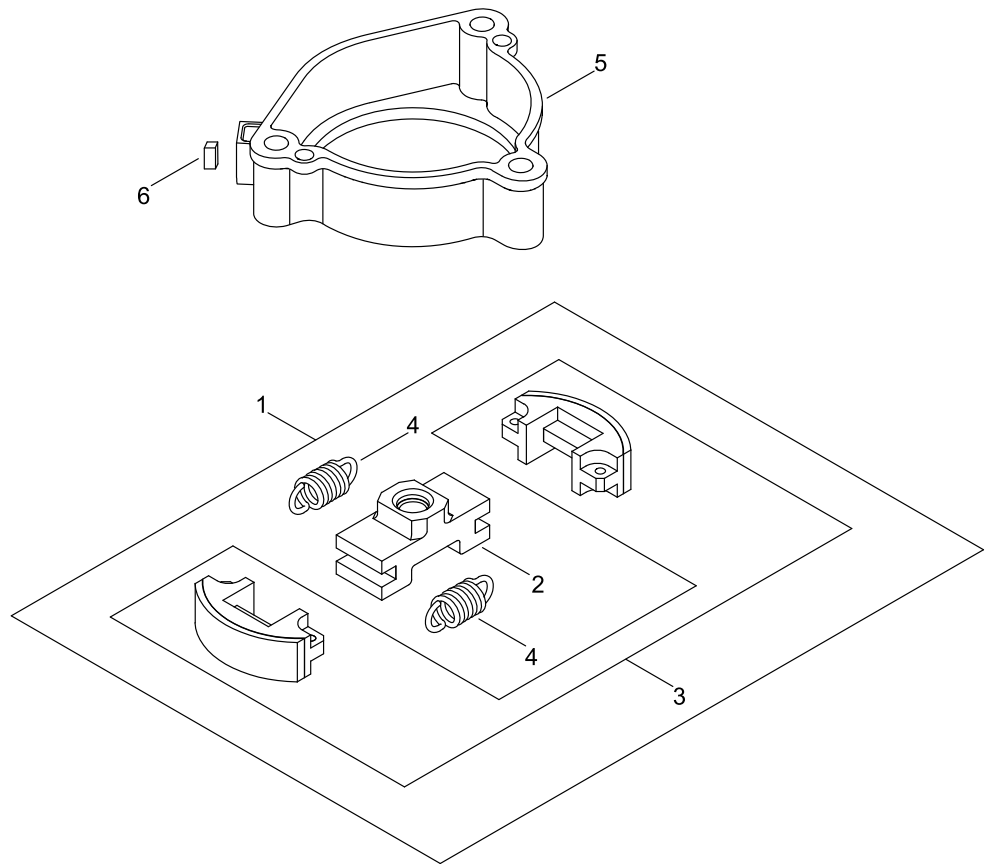
MUFFLER



MUFFLER

KEY NO	LV(+)	Part No	Description	Qty	Standard
1		A300-001860	MUFFLER, EXHAUST	1	
2		V805-000190	BOLT, TORX 5	2	TB-5*55 12.9
3		900603-00005	WASHER 5	2	5.5*12*0.8
4		A313-001990	GUIDE, EXHAUST	1	ID#2170
5		A310-000470	SCREEN, ARRESTOR	1	
6		V104-002180	GASKET,EXHAUST	1	
7		V804-000030	BOLT, TORX 4	3	TB-4*8 10.9
8		V104-002190	GASKET,EXHAUST	1	
9		A320-001120	COVER,MUFFLER	1	
10		V805-000320	BOLT, TORX 5	2	TB-5*16 10.9
11		X505-002310	LABEL,CAUTION	1	HOT CAUTION

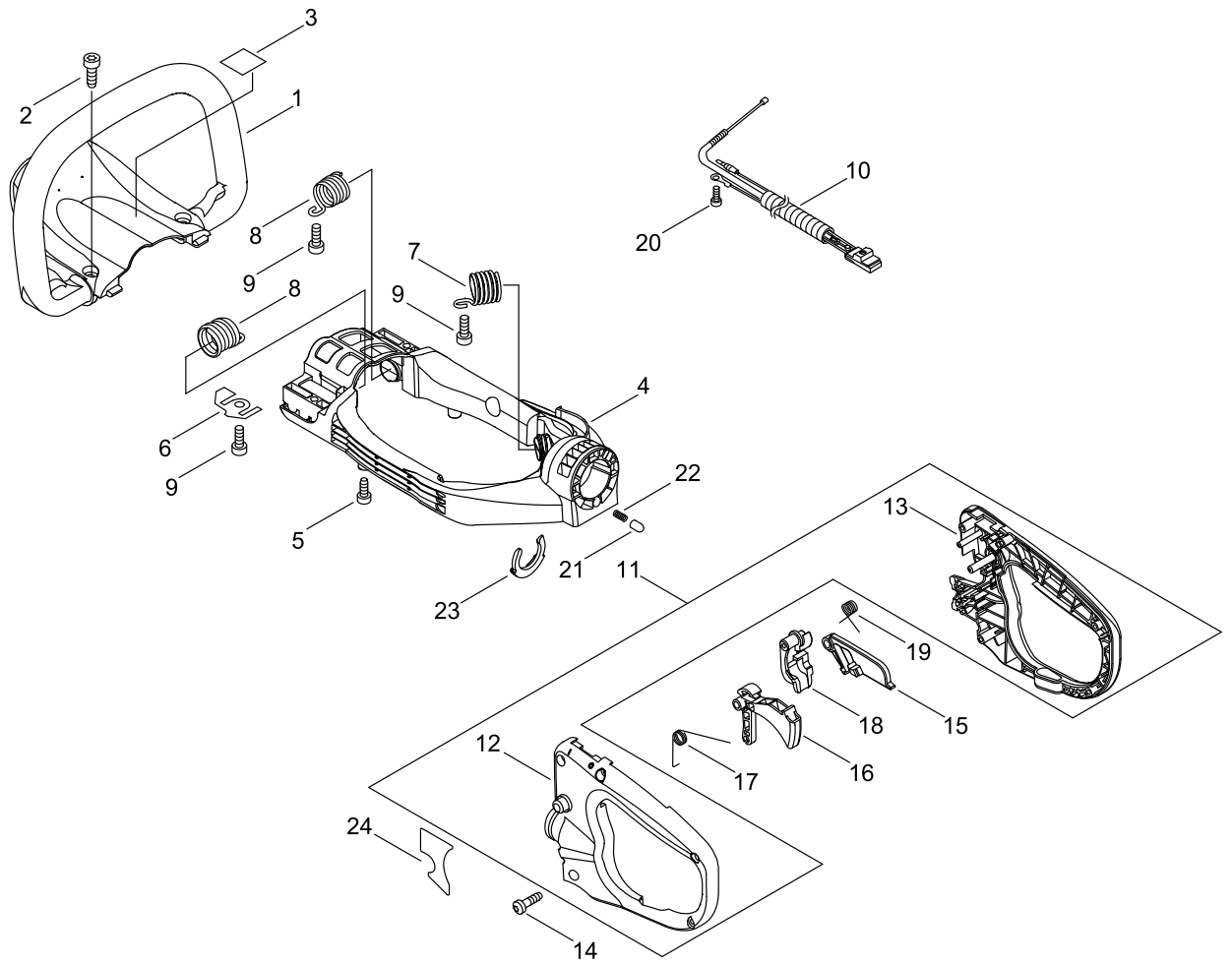
CLUTCH



CLUTCH

KEY NO	LV(+)	Part No	Description	Qty	Standard
1		A056-000750	CLUTCH ASY	1	
2	+	A552-000400	HUB, CLUTCH	1	
3	+	P021-046120	CLUTCH SHOE SET	1	
4	+	A566-000000	SPRING, CLUTCH	2	
5		A570-000320	CASE,CLUTCH	1	
6		900565-00005	NUT	1	5

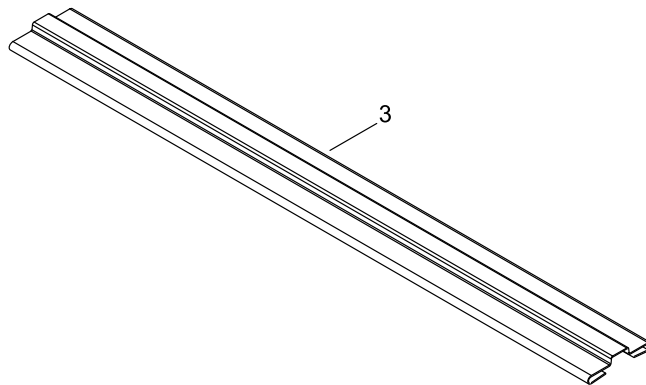
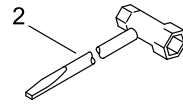
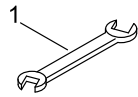
HANDLE



HANDLE

KEY NO	LV(+)	Part No	Description	Qty	Standard
1		C400-000480	HANDLE, FRONT	1	
2		V805-000010	BOLT, TORX 5	2	TT-5*20 DG 10.9
3		X505-002030	LABEL,CAUTION	1	37*35
4		C600-001590	FRAME	1	
5		V805-000240	BOLT, TORX 5	2	TT-5*12 DG 10.9
6		V150-003890	PLATE,EYE	1	
7		V450-001910	SPRING,COMPRESSION	2	
8		V450-001920	SPRING,COMPRESSION	2	
9		V805-000150	BOLT, TORX 5	4	TB-5*16 10.9
10		P021-049150	SWITCH,ON OFF	1	
11		P021-046150	HANDLE SET, REAR	1	
12	+	P021-046140	REAR HANDLE ASY	1	
13	+	C410-001350	HANDLE,REAR	1	
14		V804-000010	BOLT, TORX 4	5	TT-4*16 DG 10.9
15		C460-000090	LOCKOUT, THROTTLE	1	
16		C450-000250	CONTROL, THROTTLE	1	
17		V452-000300	SPRING,TORSION	1	
18		C427-000020	STOPPER, HANDLE	1	
19		V452-000310	SPRING,TORSION	1	
20		V804-000040	BOLT, TORX 4	1	TB-4*10 10.9
21		605611-13360	PIN	1	
22		V450-000630	SPRING,COMPRESSION	1	5.1/3.5
23		C423-000980	FIXTURE, HANDLE	1	
24		X532-000740	LABEL,OPERATION	1	

ACCESSORIES



ACCESSORIES

KEY NO	LV(+)	Part No	Description	Qty	Standard
1		895112-00330	SPANNER 8*10	1	
2		895410-03930	WRENCH, W/S. DRIVER	1	
3		X495-000550	SCABBARD, BLADE	1	L703 24IN

NUMERICAL PARTS INDEX

Part No	Part description	Page	Part No	Part description	Page	Part No	Part description	Page
100014-08960	SPACER, PISTON PIN	6	A021-004231	CARBURETOR, DIAPHRAGM	14	P005-000200	GASKET, METERING	14
100015-04630	CIRCLIP, PISTON PIN	6	A051-002373	STARTER,RECOIL ASY	10	P005-000250	RETAINER	14
100113-05930	BEARING, NEEDLE	6	A056-000750	CLUTCH ASY	20	P005-000270	SCREW	14
100142-12330	KEY, WOODRUFF	8	A101-000090	RING,PISTON	6	P005-000280	O-RING	14
100212-61830	OILSEAL	6	A130-001960	CYLINDER	6	P005-000510	DIAPHRAGM, PUMP	14
100213-61830	OILSEAL	6	A160-002940	COVER,CYLINDER	10	P005-000520	GASKET, PUMP	14
125323-08260	ARM, VALVE	14	A172-002610	COVER,FAN	10	P005-000940	SPRING, METER. LEVER	14
125337-08260	VALVE, INLET NEEDLE	14	A200-000941	INSULATOR, INTAKE	12	P005-001000	ROLLER, GUIDE	14
125338-13930	PIN, METERING ARM	14	A209-000610	PLATE, INSULATOR	12	P005-001250	RETAINER,PLUG BALL	14
125339-42030	SCREW	14	A226-001410	ELEMENT,AIR FILTER	12	P005-001260	SCREW,MAINN MIXTURE	14
125342-52130	COVER, DIAPHRAGM	14	A244-000070	PLATE,PREVENT	12	P005-001890	BASE, ASY PRIMER	14
125344-13931	SCREW	14	A300-001860	MUFFLER, EXHAUST	18	P005-001900	SCREW	14
125344-52130	SCREW	14	A310-000470	SCREEN, ARRESTOR	18	P005-002050	COVER ASY, ROTOR	14
131016-55830	GASKET, FUEL CAP	16	A313-001990	GUIDE, EXHAUST	18	P005-002200	POST	14
131911-03460	WASHER	8	A313-002000	GUIDE, EXHAUST	2	P005-002230	DIAPHRAGM ,METERING	14
132010-49730	PIPE 3*6*85	16	A319-000510	STAY, MUFFLER	2	P005-003110	PUMP, PRIMER	14
132115-44330	GROMMET	16	A320-001120	COVER,MUFFLER	18	P021-013070	CASE,GEAR	2
177214-21860	WASHER	4	A350-001880	TANK, FUEL	16	P021-037930	PISTON KIT	6
177220-42030	SPRING, REWIND	10	A356-000031	VALVE,CHECK	16	P021-046080	FUEL CAP ASY	16
177227-42030	GUIDE, ROPE	10	A365-000060	CONNECTOR,CAP	16	P021-046090	CASE,CLEANER	12
177228-44330	GRIP, STARTER	10	A369-000480	STRAINER, FUEL	16	P021-046100	LID,CLEANER ASY	12
177236-61830	SCREW	10	A409-001120	ROTOR, MAGNETO	8	P021-046110	CRANKCASE SET	6
178070-10860	SPACER	8	A411-001490	COIL, IGNITION	8	P021-046120	CLUTCH SHOE SET	20
433022-06460	NUT	4	A425-000000	SPARKPLUG	8	P021-046140	REAR HANDLE ASY	22
605611-13360	PIN	22	A426-000010	TERMINAL,SPARKPLUG	8	P021-046150	HANDLE SET, REAR	22
880110-10860	NIPPLE, GREASE	2	A427-000013	CAP,SPARK PLUG	8	P021-049150	SWITCH,ON OFF	22
890332-52730	LABEL, CHOKE	12	A514-000260	PAWL	8	P022-006800	ROPE, STARTER	10
895112-00330	SPANNER 8*10	24	A552-000400	HUB, CLUTCH	20	P022-008270	SPRING,DAMPER	10
895410-03930	WRENCH, W/S. DRIVER	24	A556-001630	DRUM, CLUTCH	2	P022-022010	NUT	10
900502-00006	NUT 6 (3N)	12	A566-000000	SPRING, CLUTCH	20	P022-027980	DRUM, STARTER	10
900515-00006	NUT, FLANGE 6	12	A570-000320	CASE,CLUTCH	20	P022-036941	CASE, STARTER	10
900565-00005	NUT	20	C400-000480	HANDLE, FRONT	22	P022-037310	PLATE, CAM	10
900603-00005	WASHER 5	8	C410-001350	HANDLE,REAR	22	P100-002710	CUTTER,ASM	4
900603-00005	WASHER 5	18	C423-000980	FIXTURE, HANDLE	22	V100-000720	GASKET,CYL	6
900701-00014	CIRCLIP 14	2	C427-000020	STOPPER, HANDLE	22	V102-000240	GASKET,CRANKCASE	6
900702-00026	CIRCLIP 26	6	C450-000250	CONTROL, THROTTLE	22	V103-001401	GASKET,INTAKE	12
900702-00035	CIRCLIP 35	2	C460-000090	LOCKOUT, THROTTLE	22	V103-001730	GASKET,INTAKE	12
900810-36000	BEARING, BALL	6	C532-000170	ROD, CONNECTING	2	V103-001740	GASKET,INTAKE	12
900810-36202	BEARING, BALL 6202	2	C539-000021	LID,GEARCASE	2	V104-002180	GASKET,EXHAUST	18
900812-06202	BEARING, BALL 6202	2	C600-001590	FRAME	22	V104-002190	GASKET,EXHAUST	18
92105-06000	NUT, FLANGE	8	C628-000160	PIECE, PLATE	2	V110-000060	GASKET,GEAR CASE	2
92108-05000	NUT, FLANGE	4	P005-000010	STRAINER	14	V135-000150	GROMMET,HT CORD	8
A011-001360	CRANKSHAFT,ASY	6	P005-000100	SCREW, THROTTLEADJUST	14	V137-000000	GROMMET,FUEL	16
A021-004231	CARBURETOR, DIAPHRAGM	12	P005-000190	E-RING	14	V150-001800	PLATE,EYE	4
						V150-001810	PLATE,EYE	2

NUMERICAL PARTS INDEX

Part No	Part description	Page	Part No	Part description	Page
V150-003890	PLATE,EYE	22	X425-000840	SUPPORT,CUTTER	4
V186-000270	JOINT,PIPE	16	X425-000900	SUPPORT,CUTTER	4
V203-000080	BOLT,5	8	X431-000210	BLUNT	4
V204-000510	BOLT	4	X495-000550	SCABBARD,BLADE	24
V299-000410	KNOB	12	X502-000890	LABEL,ECHO	10
V304-000240	WASHER	4	X505-002030	LABEL,CAUTION	22
V353-000250	COLLAR	4	X505-002310	LABEL,CAUTION	18
V420-004490	CUSHION	16	X532-000740	LABEL,OPERATION	22
V450-000630	SPRING,COMPRESSION	22	X543-004320	LABEL,MODEL	10
V450-001910	SPRING,COMPRESSION	22			
V450-001920	SPRING,COMPRESSION	22			
V452-000300	SPRING,TORSION	22			
V452-000310	SPRING,TORSION	22			
V452-001370	SPRING,TORSION	8			
V471-003500	PIPE	16			
V471-003510	PIPE	16			
V485-001220	LEAD	8			
V490-000500	CLIP	16			
V490-001100	CLIP	12			
V541-000140	SEAL	2			
V606-000020	PIN,ENG 8	6			
V650-000300	GEAR,SPUR	2			
V804-000010	BOLT, TORX 4	10			
V804-000010	BOLT, TORX 4	22			
V804-000030	BOLT, TORX 4	18			
V804-000040	BOLT, TORX 4	2			
V804-000040	BOLT, TORX 4	22			
V804-000060	BOLT, TORX 4	2			
V804-000060	BOLT, TORX 4	8			
V804-000060	BOLT, TORX 4	10			
V805-000010	BOLT, TORX 5	22			
V805-000100	BOLT, TORX 5	12			
V805-000130	BOLT, TORX 5	2			
V805-000150	BOLT, TORX 5	10			
V805-000150	BOLT, TORX 5	22			
V805-000170	BOLT, TORX 5	4			
V805-000170	BOLT, TORX 5	12			
V805-000190	BOLT, TORX 5	18			
V805-000210	BOLT, TORX 5	6			
V805-000220	BOLT, TORX 5	4			
V805-000220	BOLT, TORX 5	6			
V805-000240	BOLT, TORX 5	22			
V805-000320	BOLT, TORX 5	18			
V806-000140	BOLT, TORX 6	2			
X412-000640	CUTTER	4			