

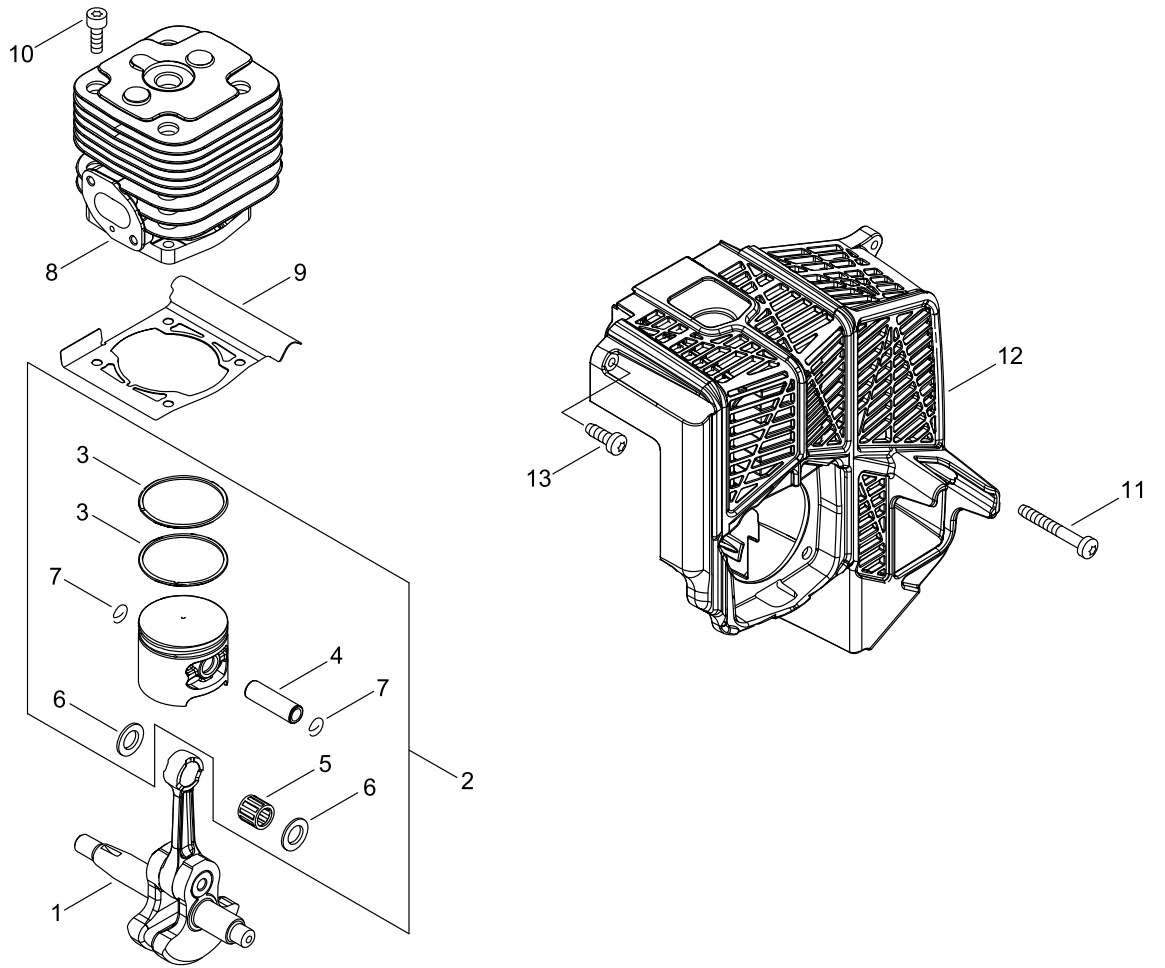
PB-580

Published:11/21/2018

TABLE OF CONTENTS

CYLINDER, PISTON, CRANKSHAFT.....	1
CRANKCASE	3
MAGNETO.....	5
AIR CLEANER, CARBURETOR.....	7
CARBURETOR.....	9
FUEL TANK.....	11
MUFFLER	13
RECOIL STARTER, PULLY	15
FAN CASE	17
BACKPACK HARNESS	19
THROTTLE	21
PIPE.....	23
ACCESSORIES	25

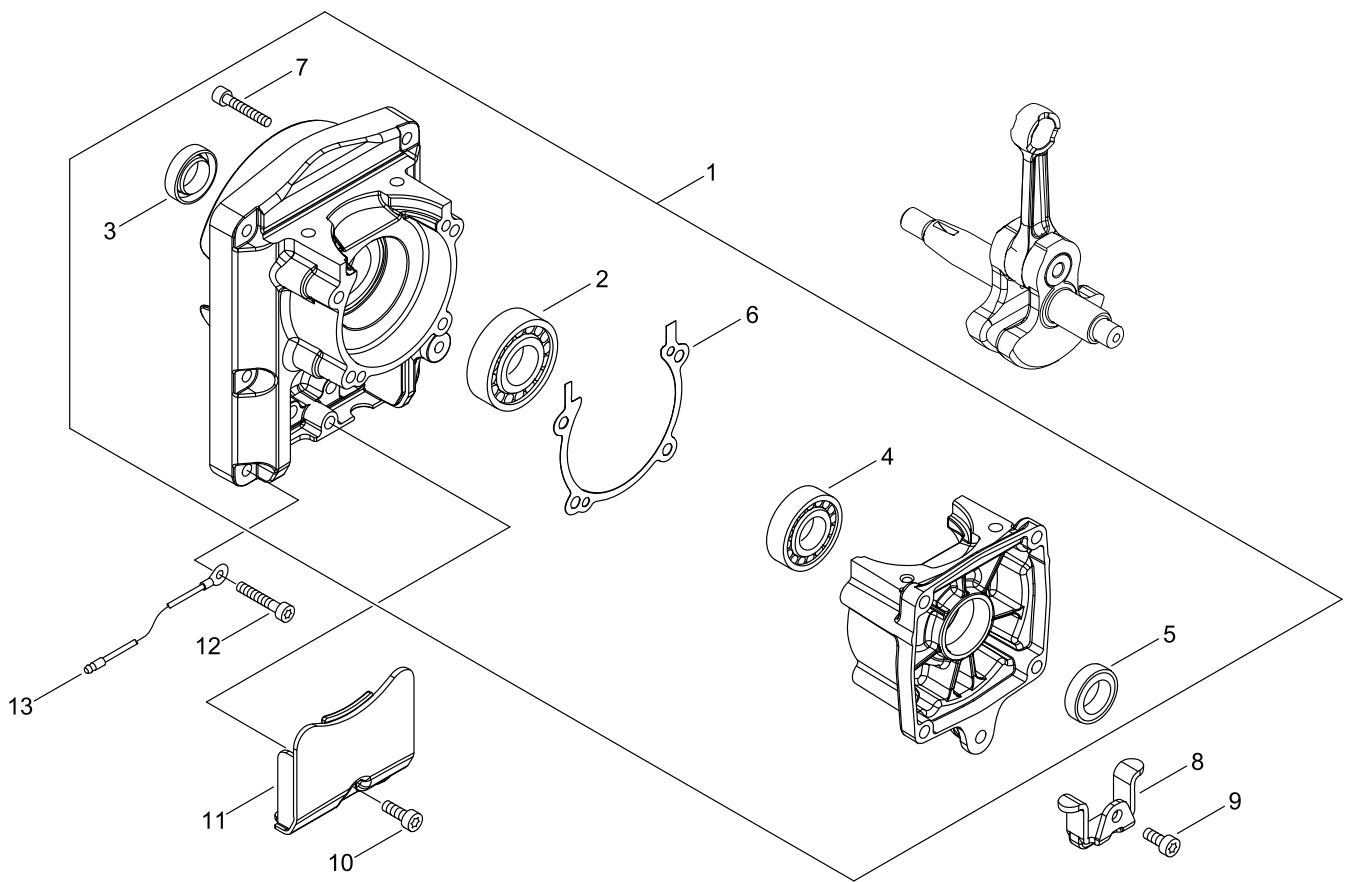
CYLINDER, PISTON, CRANKSHAFT



CYLINDER, PISTON, CRANKSHAFT

KEY NO	LV(+)	Part No	Description	Qty	Standard	Comment
1		A011-001390	CRANKSHAFT,ASY	1		
2		P021-048140	PISTON KIT	1		
3	+	100011-32330	RING, PISTON	2		
4	+	V608-000000	PIN,ENG 10	1		
5	+	V555-000010	BEARING,NEEDLE 10	1		
6	+	100014-17330	SPACER, PISTON PIN	2		
7	+	V580-000010	RING,END	2	10	
8		A130-002250	CYLINDER	1	46 4TW	
9		V100-000811	GASKET,CYL	1	T=0.5	
10		V805-000210	BOLT, TORX 5	4	TB-5*20 12.9	
11		V805-000040	BOLT, TORX 5	1	TT-5*55 DG 10.9	
12		A190-001480	COVER,ENGINE	1		
13		V805-000010	BOLT, TORX 5	3	TT-5*20 DG 10.9	

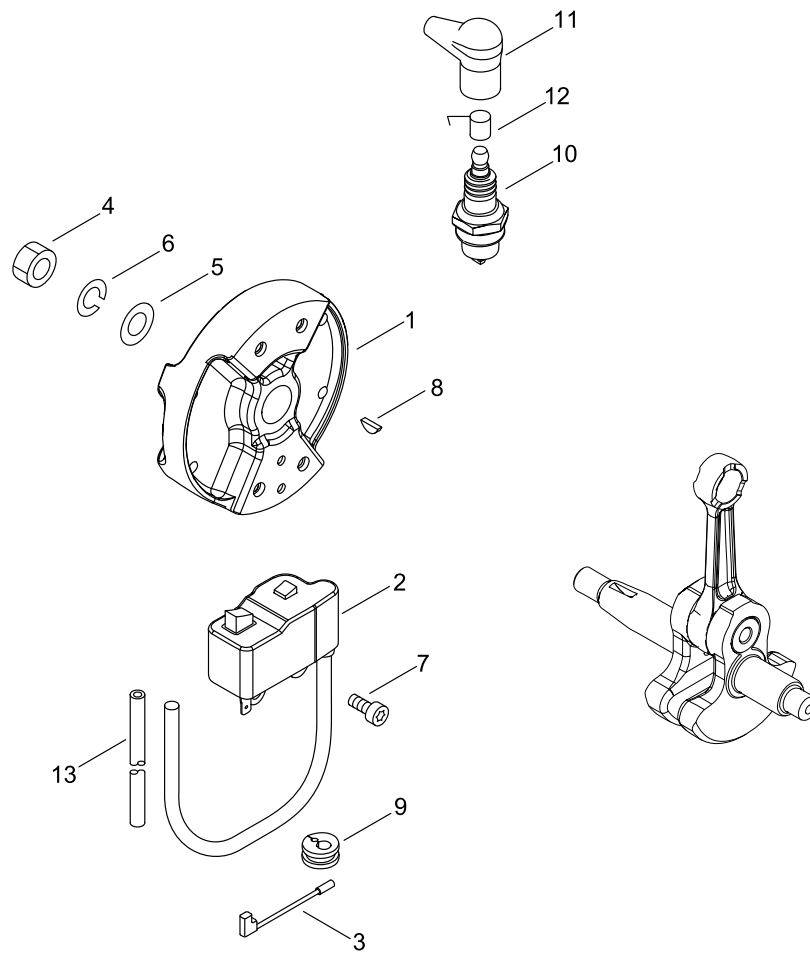
CRANKCASE



CRANKCASE

KEY NO	LV(+)	Part No	Description	Qty	Standard	Comment
1		P021-048151	CRANKCASE SET	1		
2	+	94000-36302	BALL BEARING 6302 C3	1		
3	+	100213-00310	OILSEAL	1	ISCD 15 25 7	
4	+	900810-36202	BEARING, BALL 6202	1	6202/C3	
5	+	V508-000100	SEAL,OIL 15	1	ISCD 15*25*7	
6	+	V102-000270	GASKET,CRANKCASE	1	T=0.3	
7	+	V805-000180	BOLT, TORX 5	4	TB-5*30 12.9	
8		V401-000600	CUSHION,5	1		
9		V805-000140	BOLT, TORX 5	1	TB-5*12 10.9	
10		V805-000250	BOLT, TORX 5	1	TB-5*16 12.9	
11		A127-000420	COVER,DUST	1		
12		V805-000180	BOLT, TORX 5	6	TB-5*30 12.9	
13		V485-002770	LEAD	1		

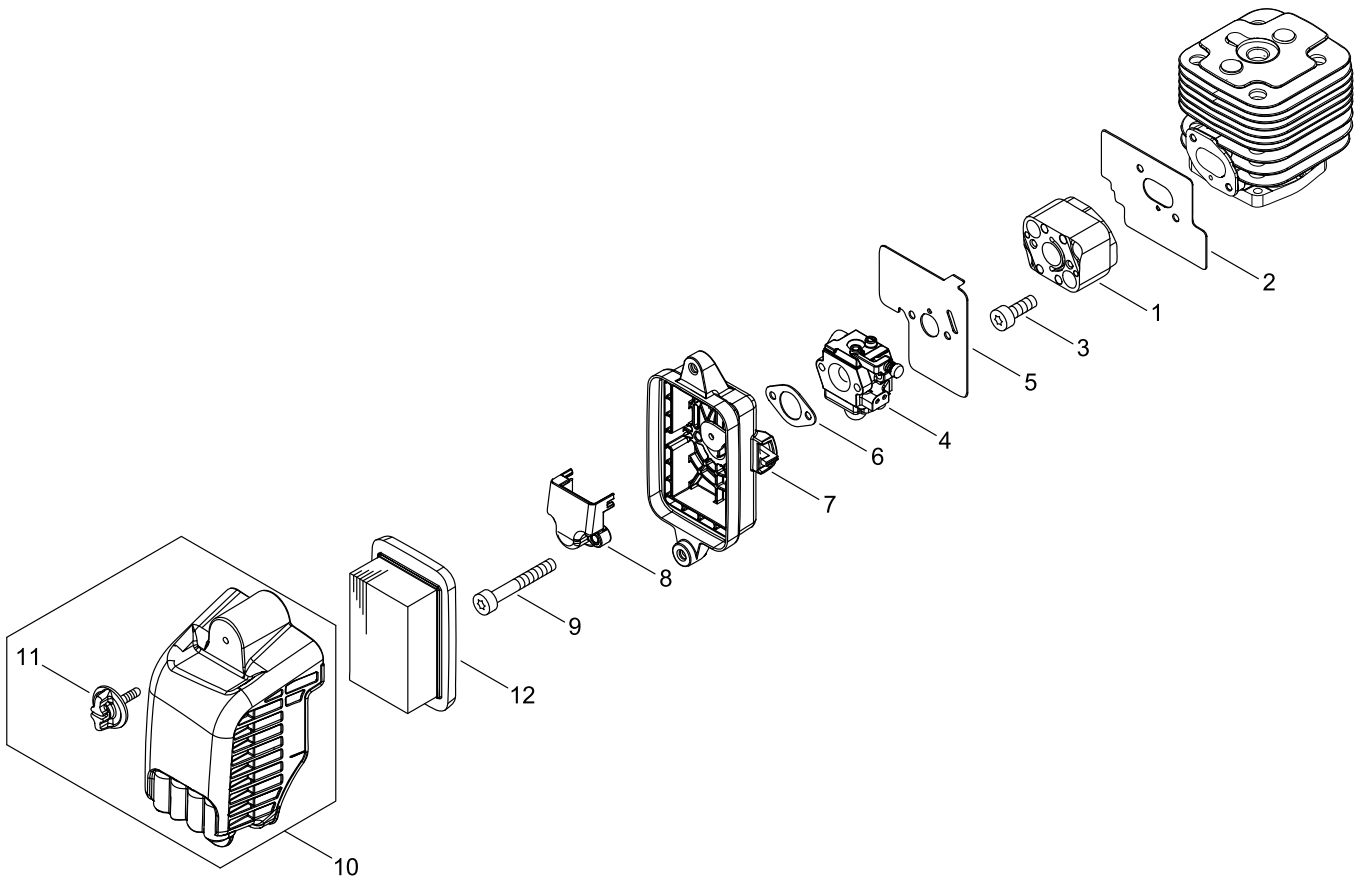
MAGNETO



MAGNETO

KEY NO	LV(+)	Part No	Description	Qty	Standard	Comment
1		A409-001270	ROTOR, MAGNETO	1	ID#R10025	
2		A411-001620	COIL, IGNITION	1	ID#A10058	
3		V485-002780	LEAD	1	L250 CB104	
4		900501-00010	NUT 10*1.25	1	10*P1.25	
5		900602-00010	WASHER 10(10.5*21*2)	1	10.5*21*2	
6		900605-00010	WASHER, SPRING 10	1	10	
7		V805-000250	BOLT, TORX 5	2	TB-5*16 12.9	
8		900323-03014	KEY WOODRUFF	1	3*14	
9		151112-04630	BUSHING	1		
10		A425-000000	SPARKPLUG	1	BPMR8Y	
11		159012-03433	CAP, SPARK PLUG	1		
12		159011-03432	COIL, SPARK PLUG	1		
13		V475-008320	TUBE	1	6.3*8*350	

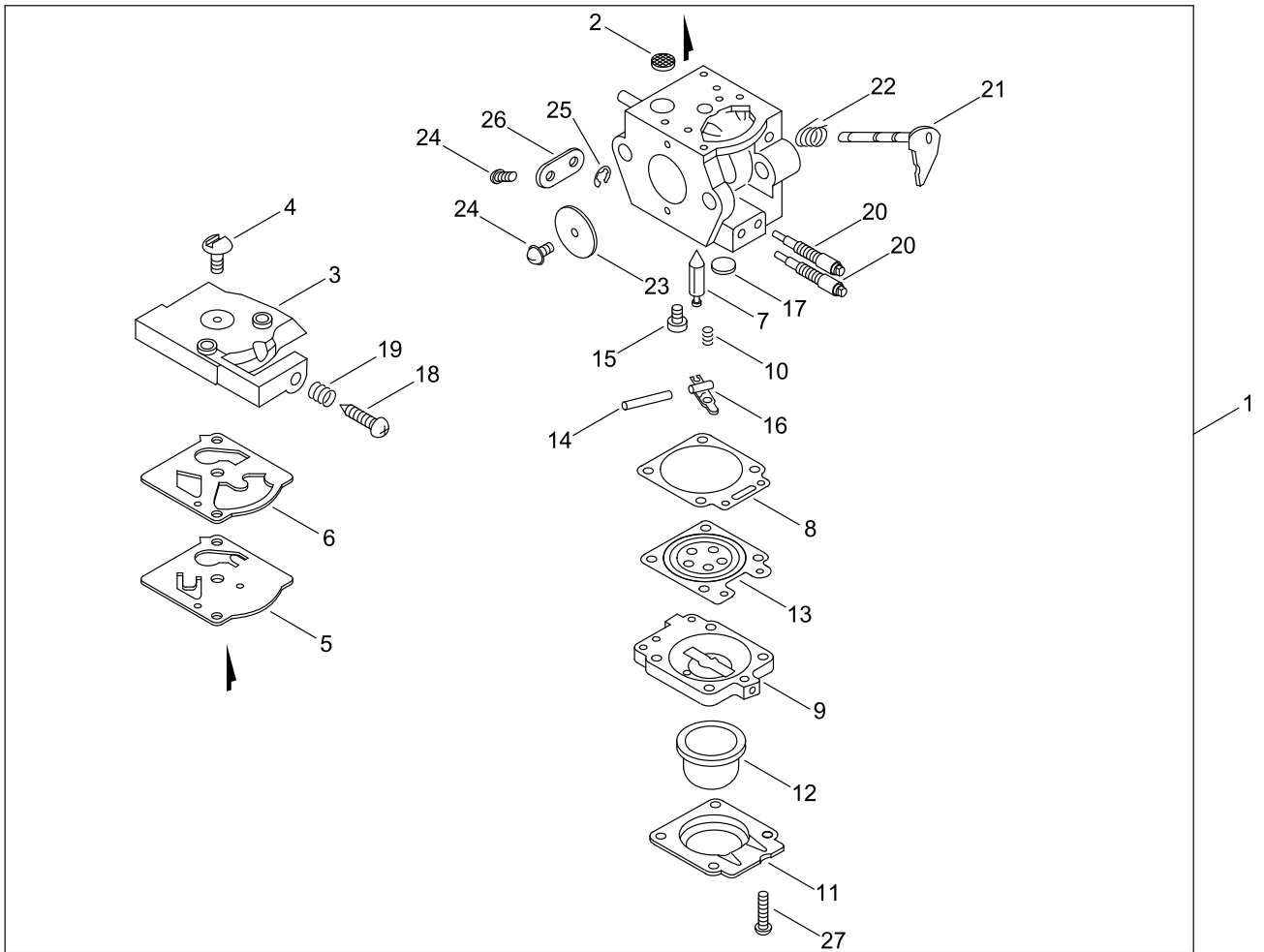
AIR CLEANER, CARBURETOR



AIR CLEANER, CARBURETOR

KEY NO	LV(+)	Part No	Description	Qty	Standard	Comment
1		A200-001180	INSULATOR, INTAKE	1		
2		V103-001770	GASKET,INTAKE	1	NP4190 T:1.0	
3		V805-000220	BOLT, TORX 5	2	TB-5*25 12.9	
4		A021-004331	CARBURETOR, DIAPHRAGM	1	WTA-35	
5		V103-001780	GASKET,INTAKE	1	NP6630 T:1.0	
6		V103-001790	GASKET,INTAKE	1	NP7010 T:1.2	
7		P021-047960	CASE,CLEANER	1		
8		A244-000300	PLATE, PREVENT	1		
9		V805-000340	BOLT, TORX 5	2	TB-5*60 10.9	
10		P100-001090	CLEANER COVER ASY	1		
11	+	A235-000380	KNOB,CLEANER LID	2		
12		A226-000032	ELEMENT,AIR FILTER	1		

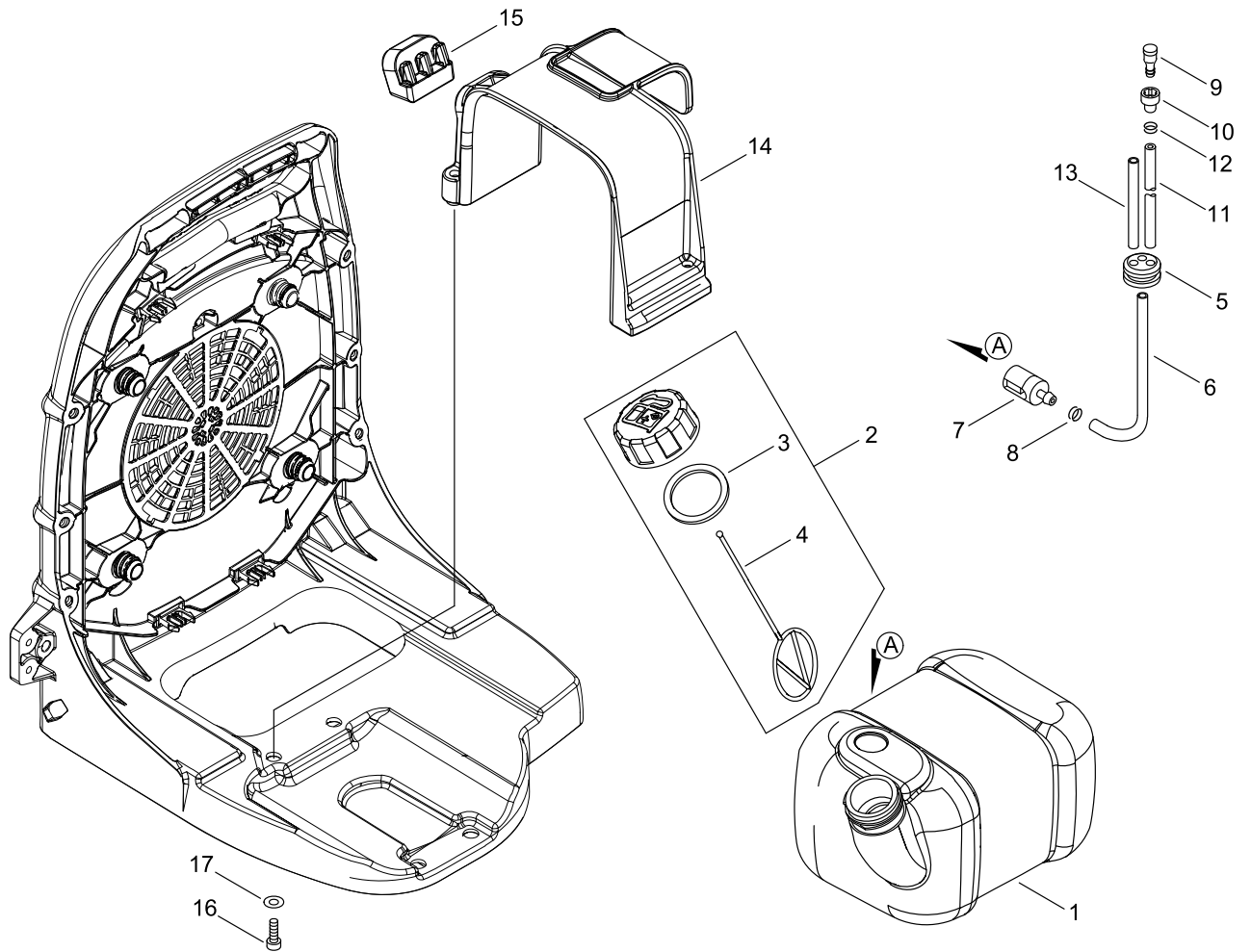
CARBURETOR



CARBURETOR

KEY NO	LV(+)	Part No	Description	Qty	Standard	Comment
1		A021-004331	CARBURETOR, DIAPHRAGM	1	WTA-35	
2	+	123126-10631	SCREEN, INLET	1		
3	+	P003-005960	COVER, FUEL PUMP	1		
4	+	123110-03930	SCREW, PUMP COVER	1		
5	+	123112-15030	DIAPHRAGM, FUEL PUMP	1		
6	+	123125-15030	GASKET, FUEL PUMP	1		
7	+	123137-19830	VALVE, INLET NEEDLE	1		
8	+	P003-003840	GASKET, M. DIAPHRAGM	1		
9	+	123180-46130	BODY, AIR PURGE	1		
10	+	123122-03660	SPRING, METER. LEVER	1		
11	+	123142-05560	COVER, PRIMER PUMP	1		
12	+	123181-40630	PUMP, PRIMER	1		
13	+	P003-001850	DIAPHRAGM, METERING	1		
14	+	123138-03930	PIN, METERING LEVER	1		
15	+	P003-005400	SCREW	1		
16	+	123123-03930	LEVER, METERING	1		
17	+	123146-10631	PLUG, WELCH	1		
18	+	P003-001400	SCREW, IDLE ADJUST	1		
19	+	123133-04260	SPRING, IDLE ADJUST	1		
20	+	P003-005880	NEEDLE	2		
21	+	P003-005530	SHAFT ASY, THROTTLE	1		
22	+	P003-003890	SPRING	1		
23	+	123116-10530	VALVE, THROTTLE	1		
24	+	123114-38830	SCREW	2		
25	+	123127-15030	RING	1		
26	+	P003-003910	THROTTLE, LEVER	1		
27	+	123144-02960	SCREW	4		

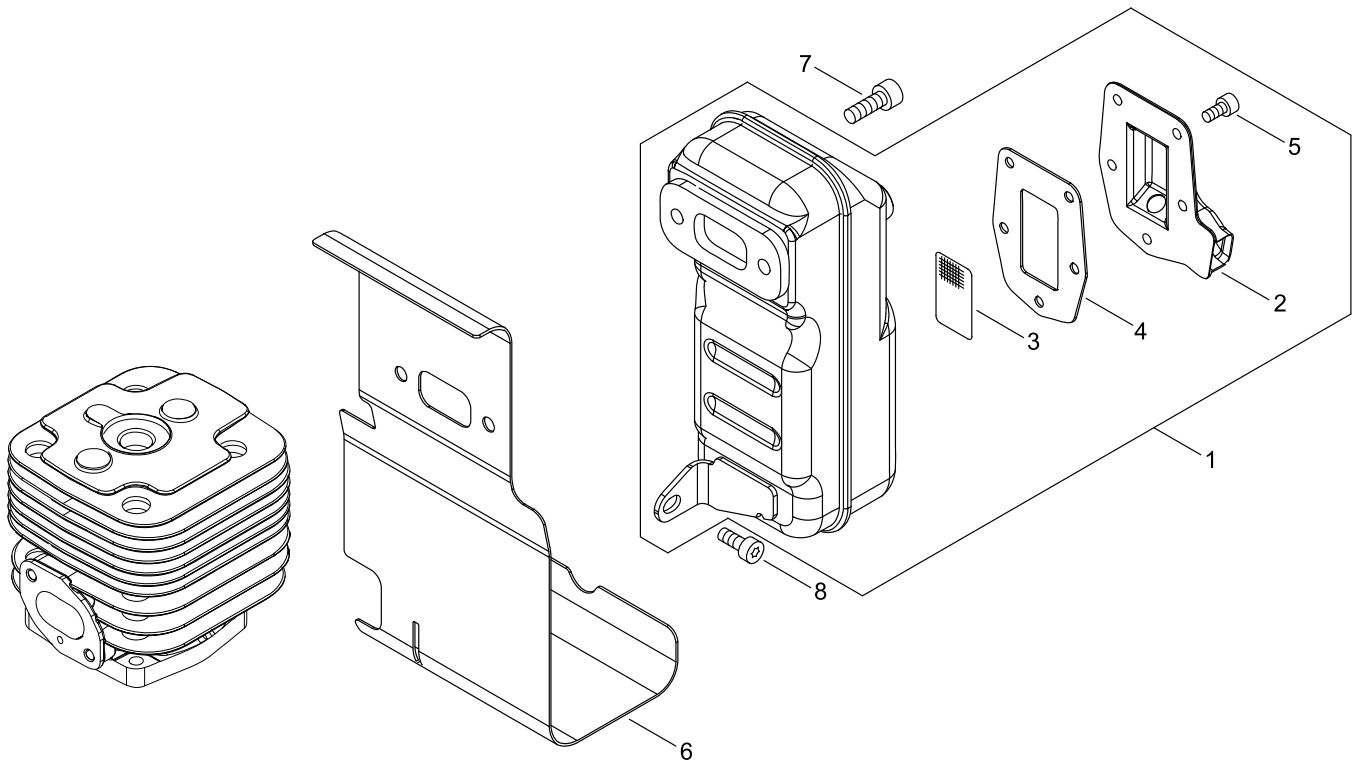
FUEL TANK



FUEL TANK

KEY NO	LV(+)	Part No	Description	Qty	Standard	Comment
1		A350-000151	TANK,FUEL	1		
2		P100-006640	CAP,FUEL ASY	1		
3	+	V107-000190	GASKET,FUEL CAP	1	37.9*T2.2	
4	+	131051-56030	CLIP, FUEL CAP	1	100L	
5		132115-55931	GROMMET, FUEL	1	3 Φ5	
6		V471-004791	PIPE	1	3*5*325	
7		A369-000440	STRAINER, FUEL	1	125-952	
8		V490-001240	CLIP	1		
9		A356-000031	VALVE,CHECK	1		
10		131328-40630	COVER, VENT	1		
11		V471-004781	PIPE	1	3*6*40	
12		V490-001230	CLIP	1		
13		V471-004760	PIPE	1	3*6*180	
14		A392-000390	BAND, FUEL TANK	1		
15		V420-004620	CUSHION	1		
16		V805-000160	BOLT, TORX 5	4	TB-5*20 10.9	
17		613019-07350	WASHER 5.5*16*2T	4	5.5*16*2T	

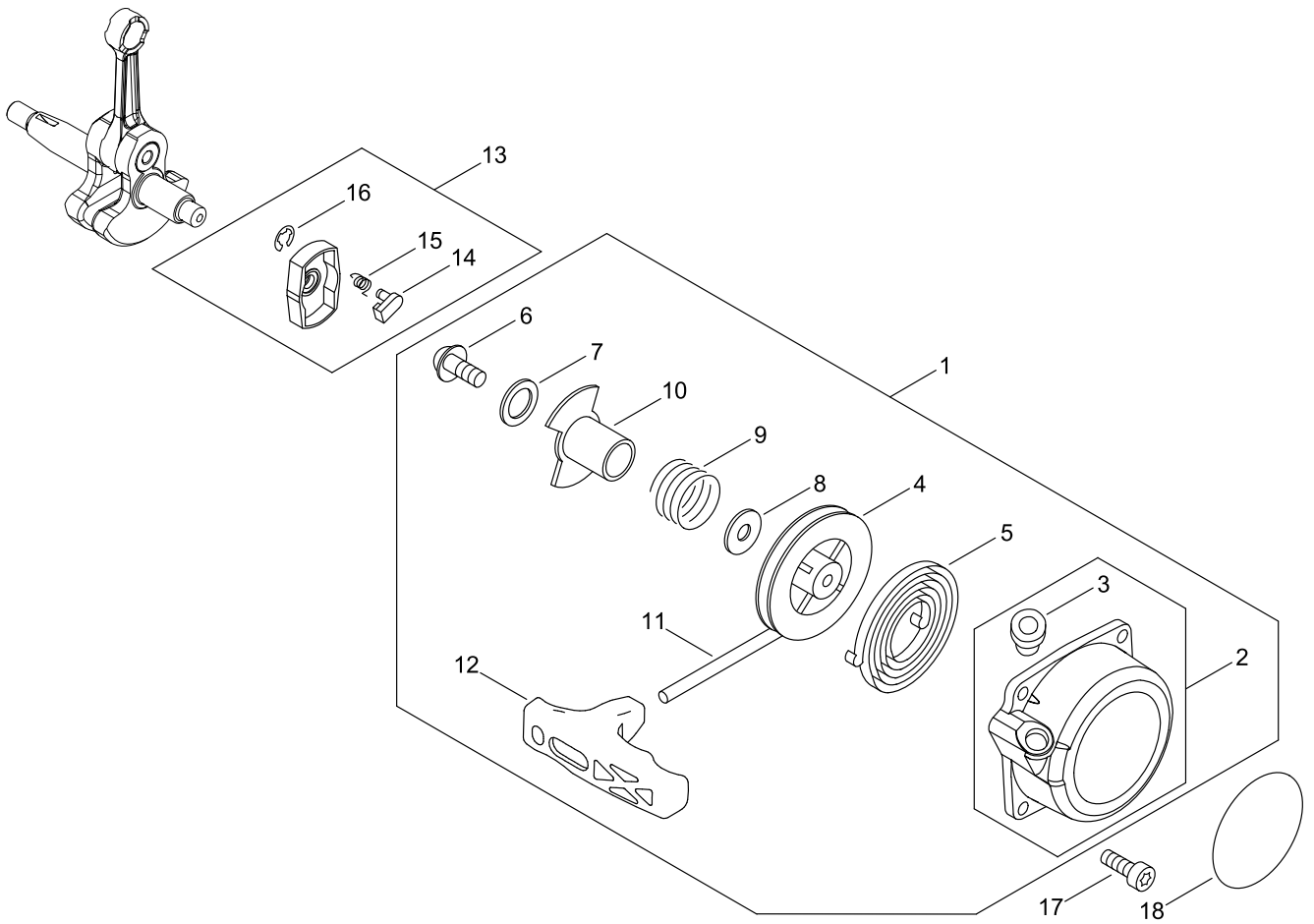
MUFFLER



MUFFLER

KEY NO	LV(+)	Part No	Description	Qty	Standard	Comment
1		P100-007180	MUFFLER ASY	1		
2	+	A313-001630	GUIDE, EXHAUST	1		
3	+	145862-06720	SCREEN, MUFFLER	1		
4	+	V104-002220	GASKET,EXHAUST	1	T1.0	
5	+	V804-000040	BOLT, TORX 4	5	TB-4*10 10.9	
6		V104-002280	GASKET,EXHAUST	1	T=1.0	
7		900105-06020	BOLT, H.S. 6*20	2	6*20	
8		V805-000250	BOLT, TORX 5	1	TB-5*16 12.9	

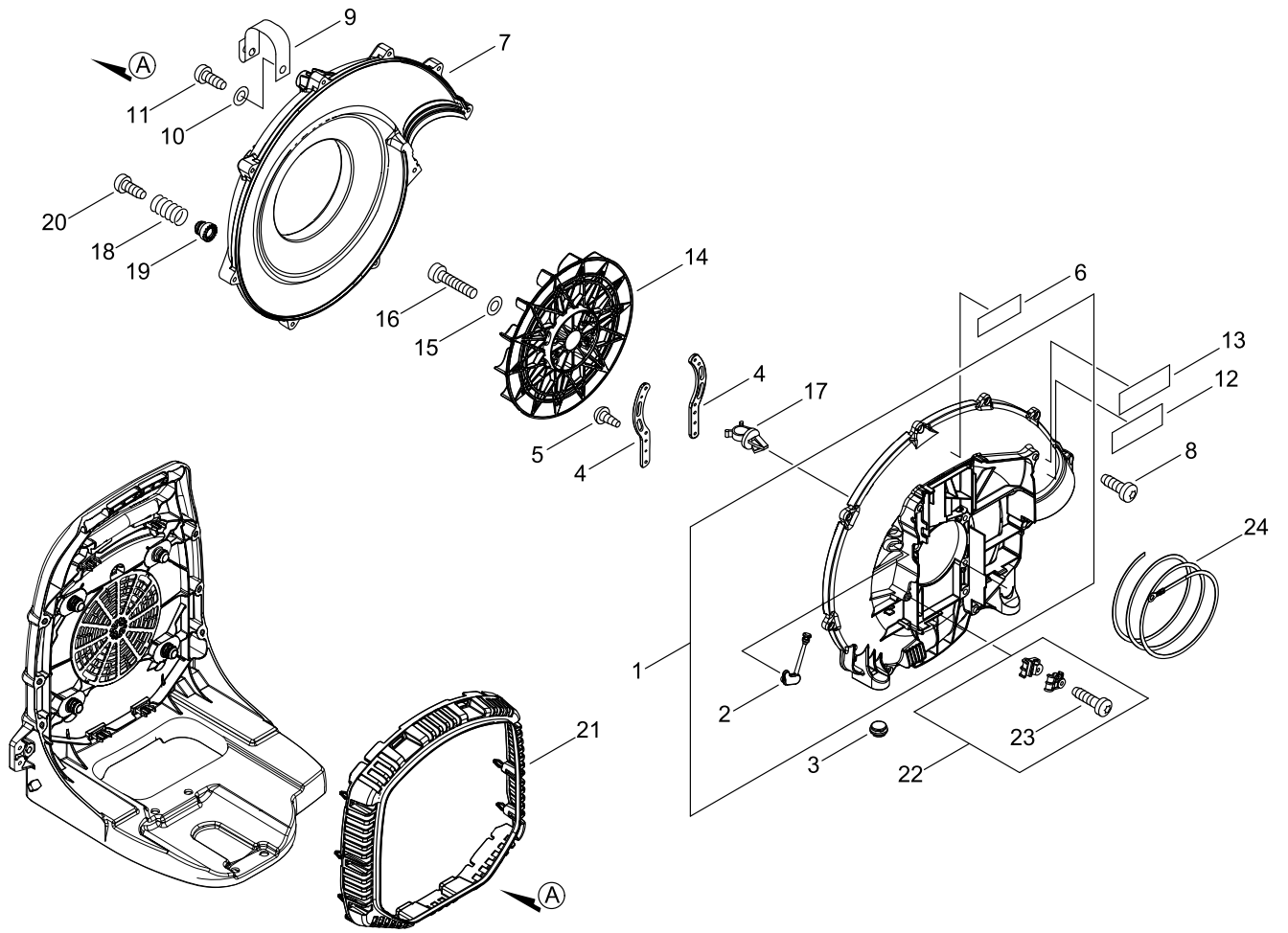
RECOIL STARTER, PULLY



RECOIL STARTER, PULLY

KEY NO	LV(+)	Part No	Description	Qty	Standard	Comment
1		A051-002981	STARTER,RECOIL ASY	1		
2	+	P022-045270	STARTER CASE	1		
3	++	177227-42030	GUIDE, ROPE	1		
4	+	P022-045280	DRUM, STARTER	1		
5	+	P022-036640	SPRING, SPIRAL	1		
6	+	177236-61830	SCREW	1		
7	+	P022-045230	WASHER, THRUST	1		
8	+	P022-045240	WASHER	1		
9	+	P022-045250	SPRING, FRICTION	1		
10	+	P022-010221	PLATE, FRICTION	1		
11	+	P022-045260	ROPE	1		
12	+	P022-045290	GRIP, STARTER	1		
13		A052-000491	PULLEY,ASM STARTER	1		
14	+	P022-036620	PAWL,STARTER	2		
15	+	177234-40630	SPRING, RETURN	2		
16	+	P022-002100	E-RING	2	4	
17		V805-000160	BOLT, TORX 5	4	TB-5*20 10.9	
18		X502-000410	LABEL,ECHO	1		

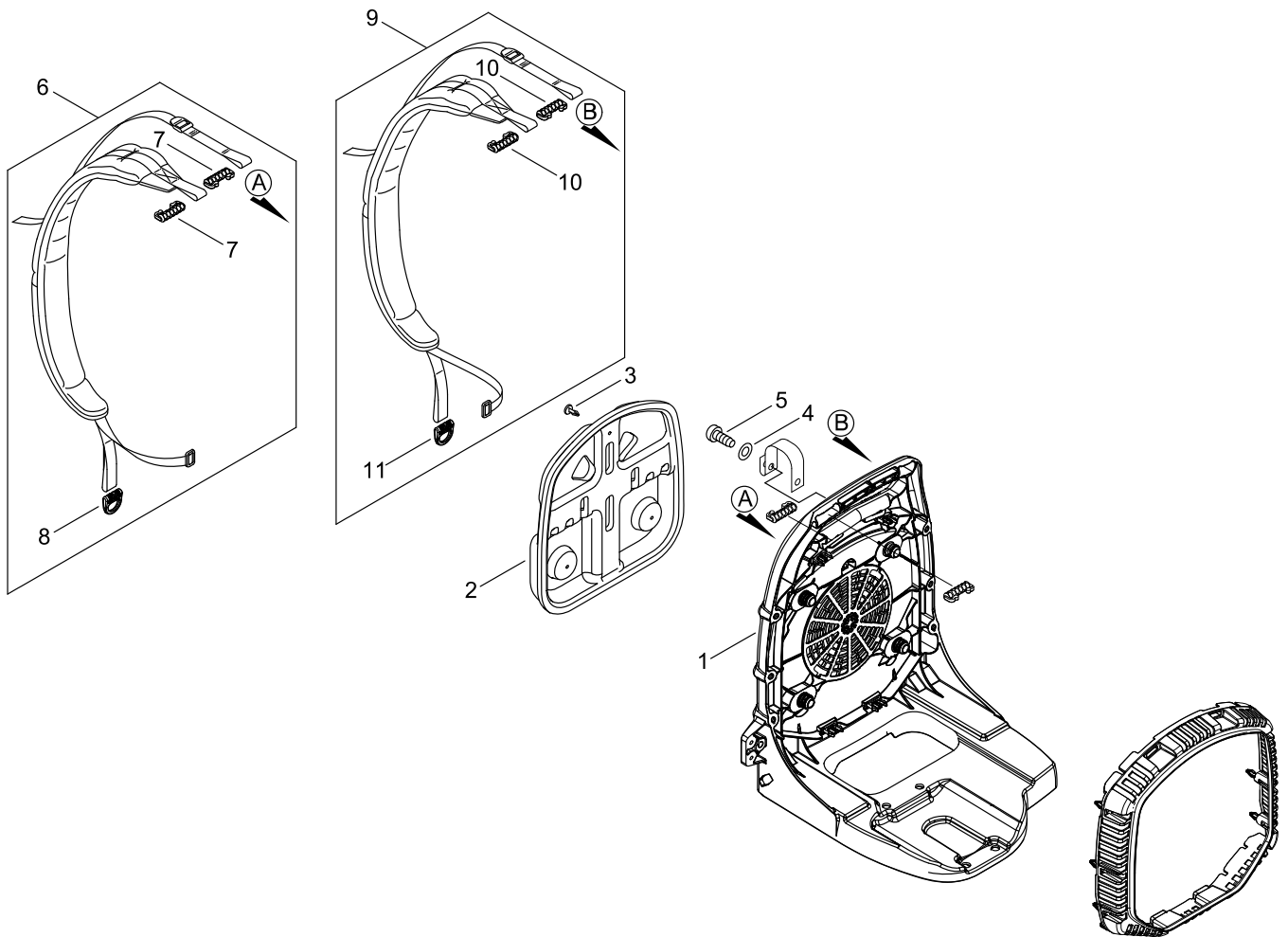
FAN CASE



FAN CASE

KEY NO	LV(+)	Part No	Description	Qty	Standard	Comment
1		P021-048180	CASE,FAN KIT	1		
2	+	V144-000670	GROMMET	1		
3		V420-000910	CUSHION	2		
4		C632-000250	PLATE, ENG	2		
5		900246-03012	SCREW 3*12	2	3*12	
6		X503-013080	LABEL,MODEL	1	PB-580	
7		E103-001301	CASE,FAN	1		
8		V805-000010	BOLT, TORX 5	8	TT-5*20 DG 10.9	
9		C617-000730	STOPPER	1	20*120*T1.2	
10		613019-07350	WASHER 5.5*16*2T	1	5.5*16*2T	
11		V805-000010	BOLT, TORX 5	1	TT-5*20 DG 10.9	
12		X505-007910	LABEL,CAUTION	1		
13		X505-010790	LABEL,CAUTION	1		
14		E100-000270	FAN,BLOWER	1		
15		613019-07350	WASHER 5.5*16*2T	4	5.5*16*2T	
16		V805-000180	BOLT, TORX 5	4	TB-5*30 12.9	
17		V491-000110	CLIP	1	.308/.433 CABLE	
18		V450-000780	SPRING,COMPRESSION	4	2.6-19.4-46.2	
19		V456-000331	HOLDER,SPRING	4		
20		V805-000010	BOLT, TORX 5	4	TT-5*20 DG 10.9	
21		E104-000250	GRID, BLOWER	1		
22		P021-048170	BRACKET KIT	1		
23	+	V805-000230	BOLT, TORX 5	1	TT-5*25 DG 10.9	
24		V485-002181	LEAD	1		

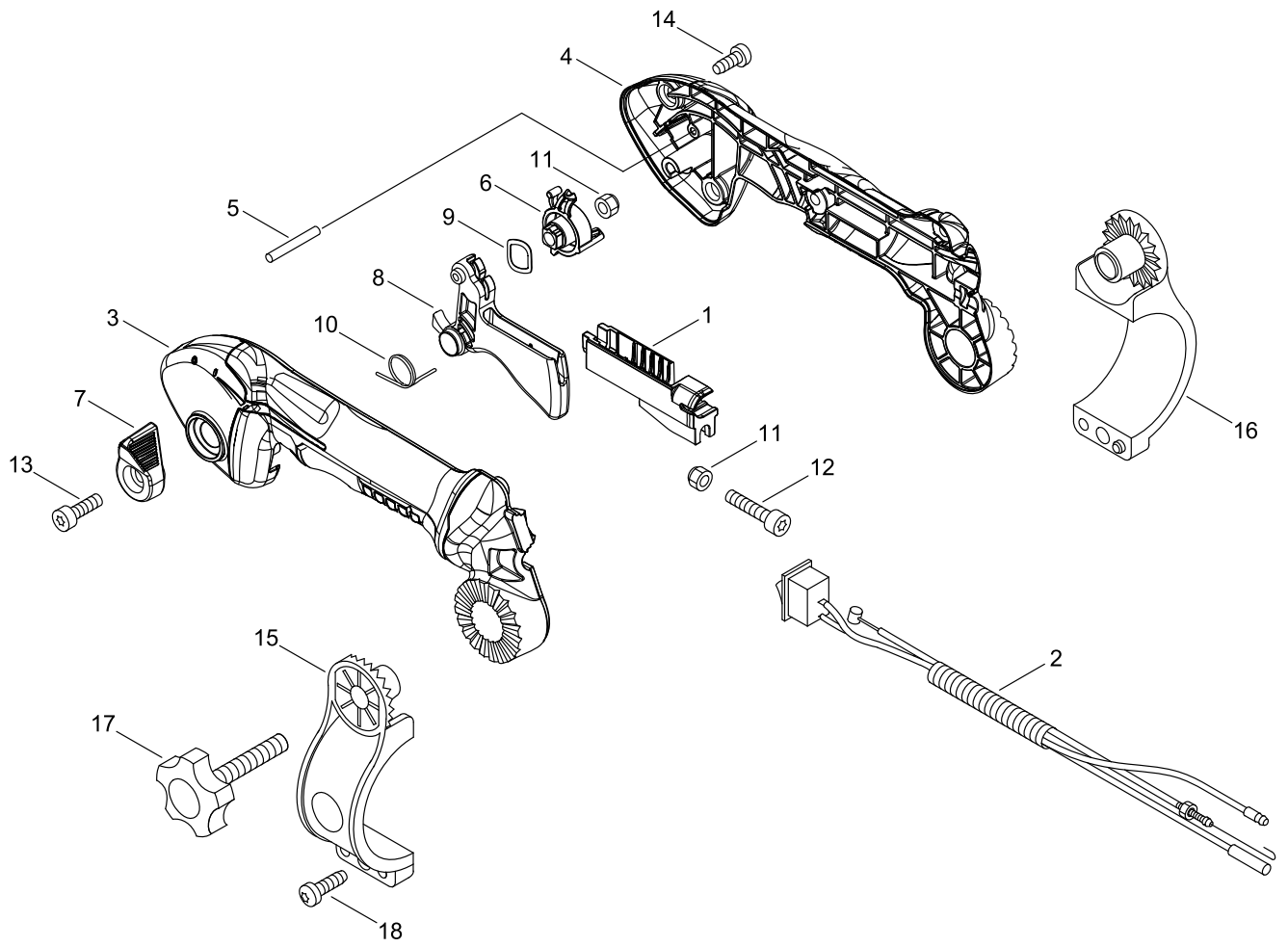
BACKPACK HARNESS



BACKPACK HARNESS

KEY NO	LV(+)	Part No	Description	Qty	Standard	Comment
1		C620-000480	FRAME, BACKPACK	1		
2		C630-000190	SEAT, BACKPACK	1	PB-765LN	
3		V491-000090	CLIP	3		
4		613019-07350	WASHER 5.5*16*2T	1	5.5*16*2T	
5		V805-000010	BOLT, TORX 5	1	TT-5*20 DG 10.9	
6		P021-049472	HARNESS KIT	1		
7	+	V491-000480	CLIP	2		
8	+	C645-000080	BUCKLE, HARNESS	1		
9		P021-049482	HARNESS KIT	1		
10	+	V491-000480	CLIP	2		
11	+	C645-000080	BUCKLE, HARNESS	1		

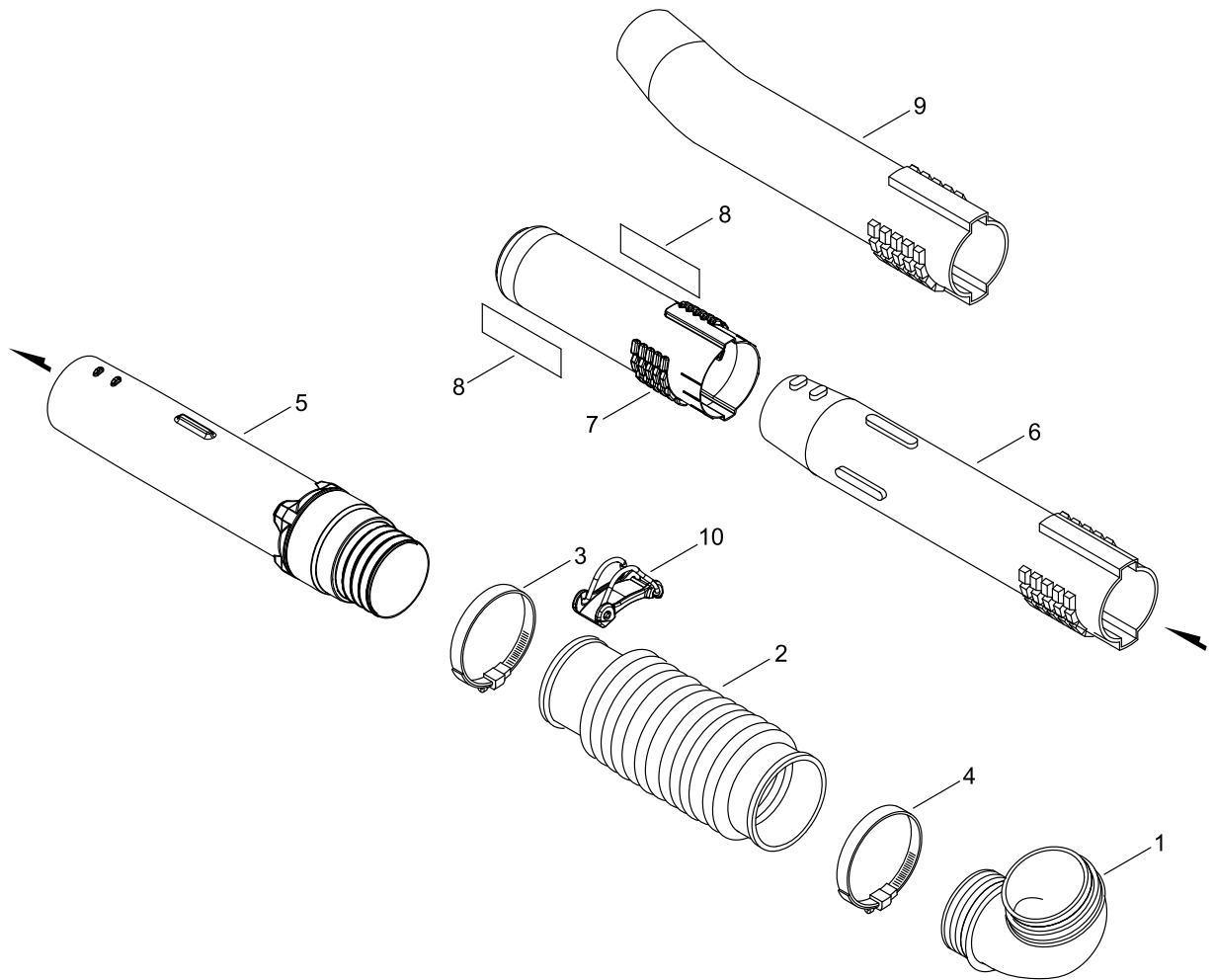
THROTTLE



THROTTLE

KEY NO	LV(+)	Part No	Description	Qty	Standard	Comment
1		C482-000101	CONNECTOR, CABLE	1		
2		V043-001191	CABLE ASY, CONTROL	1	FLANGE W/GRD	
3		C400-001532	HANDLE,FRONT	1	LEFT GRIP 2SHOT	
4		C400-001541	HANDLE,FRONT	1	RIGHT GRIP 2SHOT	
5		V621-000040	PIN,STRAIGHT 3	1	3*32	
6		C453-000580	LEVER, THROTTLE	1		
7		C453-000560	LEVER, THROTTLE	1		
8		C450-000921	CONTROL, THROTTLE	1		
9		429752-01850	WASHER, WAVE 12	1		
10		V452-001630	SPRING,TORSION	1	SPRING	
11		900562-50005	LOCKNUT 5	2	5	
12		V805-000050	BOLT, TORX 5	1	TB-5*30 10.9	
13		V805-000160	BOLT, TORX 5	1	TB-5*20 10.9	
14		V805-000000	BOLT, TORX 5	4	TT-5*16 DG 10.9	
15		C405-000231	BRACKET,HANDLE	1	LEFT SIDE	
16		C405-000241	BRACKET,HANDLE	1	RIGHT SIDE	
17		V299-000630	KNOB,FASTENER	1	BOLT/ V299520010X	
18		V805-000010	BOLT, TORX 5	1	TT-5*20 DG 10.9	

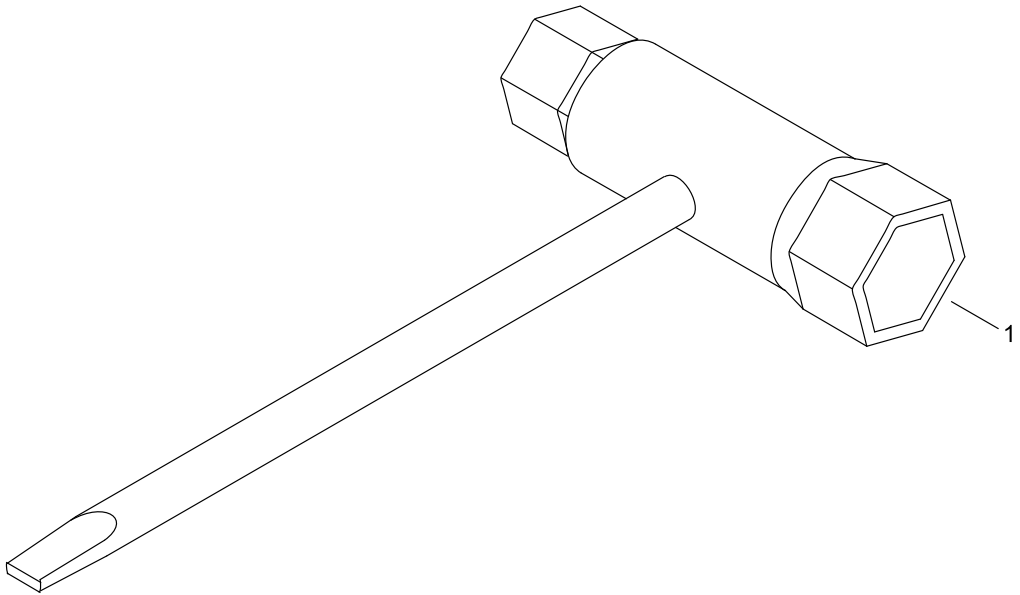
PIPE



PIPE

KEY NO	LV(+)	Part No	Description	Qty	Standard	Comment
1		E160-000131	PIPE,MAIN	1		
2		E164-000080	PIPE,FLEXIBLE	1		
3		V495-000430	BAND	1	58.7MM / 82.5MM	
4		V495-000440	BAND	1	77.8MM /101.6MM	
5		E165-000800	PIPE,BLOWER	1		
6		E165-000141	PIPE,BLOWER	1	418MM * 73/79MM	
7		E165-000790	PIPE,BLOWER	1		
8		890118-04262	LABEL, ECHO	2	194*44	
9		E165-000160	PIPE,BLOWER	1	418MM*65/79MM	
10		C487-000420	HOLDER, CABLE	1	CABLE HOLDER ASM	

ACCESSORIES



ACCESSORIES

KEY NO	LV(+)	Part No	Description	Qty	Standard	Comment
1		X602-000120	TOOL,WRENCH	1	19-13	

NUMERICAL PARTS INDEX

Part No	Part description	Page	Part No	Part description	Page	Part No	Part description	Page
100011-3-2330	RING, PISTON	2	151112-0-4630	BUSHING	6	A052-00-0491	PULLEY,ASM STARTER	16
100014-1-7330	SPACER, PISTON PIN	2	159011-0-3432	COIL, SPARK PLUG	6	A127-00-0420	COVER,DUST	4
100213-0-0310	OILSEAL	4	159012-0-3433	CAP, SPARK PLUG	6	A130-00-2250	CYLINDER	2
123110-0-3930	SCREW, PUMP COVER	10	177227-4-2030	GUIDE, ROPE	16	A190-00-1480	COVER,ENGINE	2
123112-1-5030	DIAPHRAGM, FUEL PUMP	10	177234-4-0630	SPRING, RETURN	16	A200-00-1180	INSULATOR, INTAKE	8
123114-3-8830	SCREW	10	177236-6-1830	SCREW	16	A226-00-0032	ELEMENT,AIR FILTER	8
123116-1-0530	VALVE, THROTTLE	10	429752-0-1850	WASHER, WAVE 12	22	A235-00-0380	KNOB,CLEANER LID	8
123122-0-3660	SPRING, METER. LEVER	10	613019-0-7350	WASHER 5.5*16*2T	12	A244-00-0300	PLATE, PREVENT	8
123123-0-3930	LEVER, METERING	10	613019-0-7350	WASHER 5.5*16*2T	18	A313-00-1630	GUIDE, EXHAUST	14
123125-1-5030	GASKET, FUEL PUMP	10	613019-0-7350	WASHER 5.5*16*2T	20	A350-00-0151	TANK,FUEL	12
123126-1-0631	SCREEN, INLET	10	890118-0-4262	LABEL, ECHO	24	A356-00-0031	VALVE,CHECK	12
123127-1-5030	RING	10	900105-0-6020	BOLT, H.S. 6*20	14	A369-00-0440	STRAINER, FUEL	12
123133-0-4260	SPRING, IDLE ADJUST	10	900246-0-3012	SCREW 3*12	18	A392-00-0390	BAND, FUEL TANK	12
123137-1-9830	VALVE, INLET NEEDLE	10	900323-0-3014	KEY WOODRUFF	6	A409-00-1270	ROTOR, MAGNETO	6
123138-0-3930	PIN, METERING LEVER	10	900501-0-0010	NUT 10*1.25	6	A411-00-1620	COIL, IGNITION	6
123142-0-5560	COVER, PRIMER PUMP	10	900562-5-0005	LOCKNUT 5	22	A425-00-0000	SPARKPLUG	6
123144-0-2960	SCREW	10	900602-0-0010	WASHER 10 (10.5*21*2)	6	C400-00-1532	HANDLE,FRONT	22
123146-1-0631	PLUG, WELCH	10	900605-0-0010	WASHER, SPRING 10	6	C400-00-1541	HANDLE,FRONT	22
123180-4-6130	BODY, AIR PURGE	10	900810-3-6202	BEARING, BALL 6202	4	C405-00-0231	BRACKET,HANDLE	22
123181-4-0630	PUMP, PRIMER	10	94000-36-302	BALL BEARING 6302 C3	4	C405-00-0241	BRACKET,HANDLE	22
131051-5-6030	CLIP, FUEL CAP	12	A011-00-1390	CRANKSHAFT,ASY	2	C450-00-0921	CONTROL, THROTTLE	22
131328-4-0630	COVER, VENT	12	A021-00-4331	CARBURETOR, DIAPHRAGM	8	C453-00-0560	LEVER, THROTTLE	22
132115-5-5931	GROMMET, FUEL	12	A021-00-4331	CARBURETOR, DIAPHRAGM	10	C453-00-0580	LEVER, THROTTLE	22
145862-0-6720	SCREEN, MUFFLER	14	A051-00-2981	STARTER,RECOIL ASY	16	C482-00-0101	CONNECTOR, CABLE	22

NUMERICAL PARTS INDEX

Part No	Part description	Page	Part No	Part description	Page	Part No	Part description	Page
C487-00-0420	HOLDER, CABLE	24	P021-04-7960	CASE,CLEANER	8	V103-00-1770	GASKET,INTAKE	8
C617-00-0730	STOPPER	18	P021-04-8140	PISTON KIT	2	V103-00-1780	GASKET,INTAKE	8
C620-00-0480	FRAME, BACKPACK	20	P021-04-8151	CRANKCASE SET	4	V103-00-1790	GASKET,INTAKE	8
C630-00-0190	SEAT, BACKPACK	20	P021-04-8170	BRACKET KIT	18	V104-00-2220	GASKET,EXHAUST	14
C632-00-0250	PLATE, ENG	18	P021-04-8180	CASE,FAN KIT	18	V104-00-2280	GASKET,EXHAUST	14
C645-00-0080	BUCKLE, HARNESS	20	P021-04-9472	HARNESS KIT	20	V107-00-0190	GASKET,FUEL CAP	12
E100-00-0270	FAN,BLOWER	18	P021-04-9482	HARNESS KIT	20	V144-00-0670	GROMMET	18
E103-00-1301	CASE,FAN	18	P022-00-2100	E-RING	16	V299-00-0630	KNOB,FASTENER	22
E104-00-0250	GRID, BLOWER	18	P022-01-0221	PLATE, FRICTION	16	V401-00-0600	CUSHION,5	4
E160-00-0131	PIPE,MAIN	24	P022-03-6620	PAWL,STARTER	16	V420-00-0910	CUSHION	18
E164-00-0080	PIPE,FLEXIBLE	24	P022-03-6640	SPRING, SPIRAL	16	V420-00-4620	CUSHION	12
E165-00-0141	PIPE,BLOWER	24	P022-04-5230	WASHER, THRUST	16	V450-00-0780	SPRING, COMPRESSION	18
E165-00-0160	PIPE,BLOWER	24	P022-04-5240	WASHER	16	V452-00-1630	SPRING,TORSION	22
E165-00-0790	PIPE,BLOWER	24	P022-04-5250	SPRING, FRICTION	16	V456-00-0331	HOLDER,SPRING	18
E165-00-0800	PIPE,BLOWER	24	P022-04-5260	ROPE	16	V471-00-4760	PIPE	12
P003-00-1400	SCREW, IDLE ADJUST	10	P022-04-5270	STARTER CASE	16	V471-00-4781	PIPE	12
P003-00-1850	DIAPHRAGM, METERING	10	P022-04-5280	DRUM, STARTER	16	V471-00-4791	PIPE	12
P003-00-3840	GASKET, M. DIAPHRAGM	10	P022-04-5290	GRIP, STARTER	16	V475-00-8320	TUBE	6
P003-00-3890	SPRING	10	P100-00-1090	CLEANER COVER ASY	8	V485-00-2181	LEAD	18
P003-00-3910	THROTTLE, LEVER	10	P100-00-6640	CAP,FUEL ASY	12	V485-00-2770	LEAD	4
P003-00-5400	SCREW	10	P100-00-7180	MUFFLER ASY	14	V485-00-2780	LEAD	6
P003-00-5530	SHAFT ASY, THROTTLE	10	V043-00-1191	CABLE ASY, CONTROL	22	V490-00-1230	CLIP	12
P003-00-5880	NEEDLE	10	V100-00-0811	GASKET,CYL	2	V490-00-1240	CLIP	12
P003-00-5960	COVER, FUEL PUMP	10	V102-00-0270	GASKET, CRANKCASE	4	V491-00-0090	CLIP	20

NUMERICAL PARTS INDEX

Part No	Part description	Page	Part No	Part description	Page
V491-00-0110	CLIP	18	V805-00-0220	BOLT, TORX 5	8
V491-00-0480	CLIP	20	V805-00-0230	BOLT, TORX 5	18
V495-00-0430	BAND	24	V805-00-0250	BOLT, TORX 5	4
V495-00-0440	BAND	24	V805-00-0250	BOLT, TORX 5	6
V508-00-0100	SEAL,OIL 15	4	V805-00-0250	BOLT, TORX 5	14
V555-00-0010	BEARING,NEEDLE 10	2	V805-00-0340	BOLT, TORX 5	8
V580-00-0010	RING,END	2	X502-00-0410	LABEL,ECHO	16
V608-00-0000	PIN,ENG 10	2	X503-01-3080	LABEL,MODEL	18
V621-00-0040	PIN,STRAIGHT 3	22	X505-00-7910	LABEL,CAUTION	18
V804-00-0040	BOLT, TORX 4	14	X505-01-0790	LABEL,CAUTION	18
V805-00-0000	BOLT, TORX 5	22	X602-00-0120	TOOL,WRENCH	26
V805-00-0010	BOLT, TORX 5	2			
V805-00-0010	BOLT, TORX 5	18			
V805-00-0010	BOLT, TORX 5	20			
V805-00-0010	BOLT, TORX 5	22			
V805-00-0040	BOLT, TORX 5	2			
V805-00-0050	BOLT, TORX 5	22			
V805-00-0140	BOLT, TORX 5	4			
V805-00-0160	BOLT, TORX 5	12			
V805-00-0160	BOLT, TORX 5	16			
V805-00-0160	BOLT, TORX 5	22			
V805-00-0180	BOLT, TORX 5	4			
V805-00-0180	BOLT, TORX 5	18			
V805-00-0210	BOLT, TORX 5	2			