

RM-520ES

Serial Number

38000001-38999999

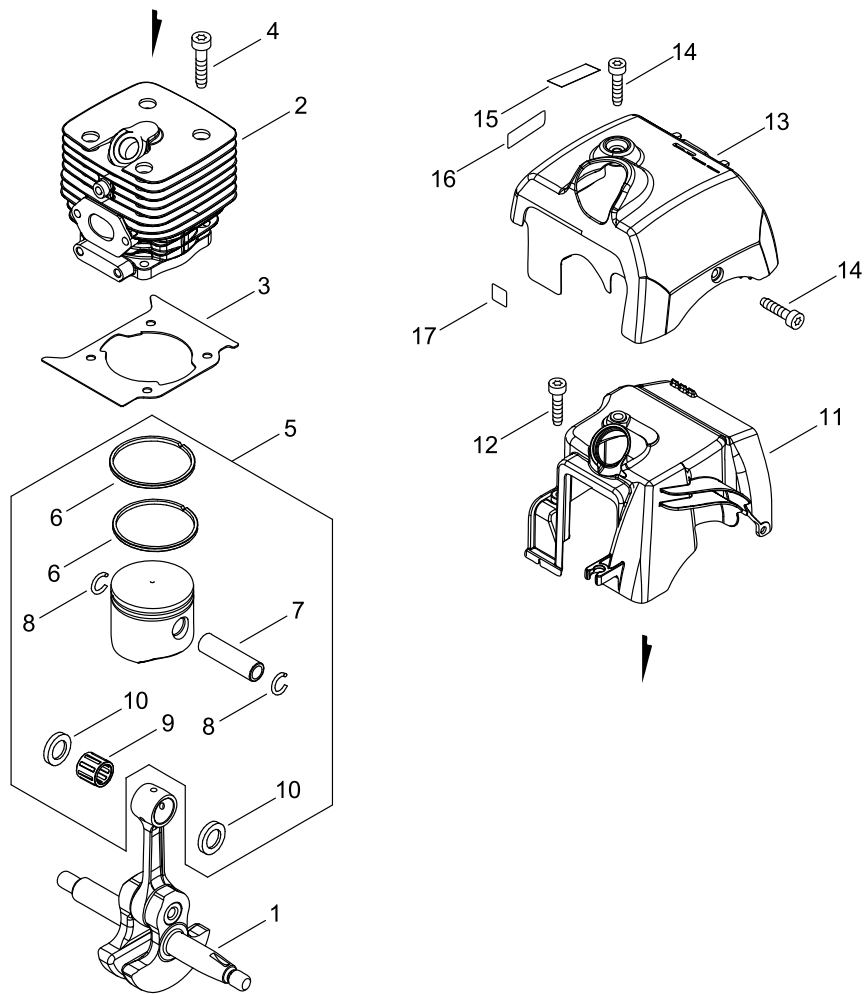
Last updated date

15/Jan/2023

TABLE OF CONTENTS

CYLINDER, PISTON, CRANKSHAFT	1
CRANKCASE	3
MAGNETO.....	5
CLUTCH.....	7
AIR CLEANER, CARBURETOR.....	9
CARBURETOR.....	11
FUEL TANK	13
MUFFLER.....	15
RECOIL STARTER.....	17
BACKPACK HARNESS	19
GEAR CASE, SHIELD	21
MAIN PIPE, HANDLE.....	23
THROTTLE.....	25
ACCESSORIES	27
NYLON LINE CUTTER	29

CYLINDER, PISTON, CRANKSHAFT



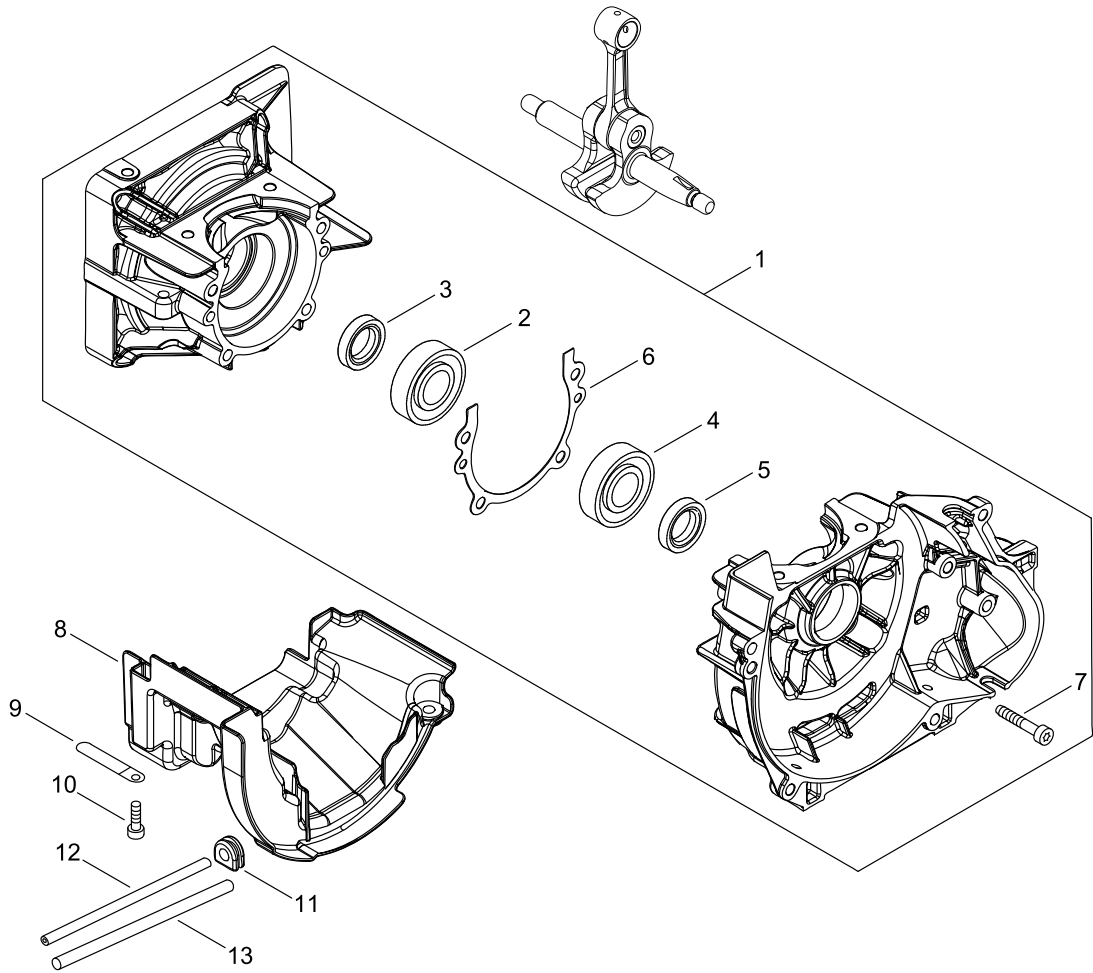
CYLINDER, PISTON, CRANKSHAFT

Key No.	LV (+)	Parts Number	Parts Description	Qty	Standard	Class
1		A011-001350	CRANKSHAFT,ASY	1		D
2		A130-002191	CYLINDER	1		D
3		V100-000790	GASKET,CYL	1	T:0.8	B
4		V805-000210	BOLT, TORX 5	4	TB-5*20 12.9	C
5		P021-050440	PISTON KIT	1		
6	+	A101-000690	RING, PISTON	2	44*1.2*1.8	B
7	+	V609-000000	PIN,ENG 11	1		D
8	+	100015-32330	CIRCLIP, PISTON PIN	2		C
9	+	V556-000000	BEARING,NEEDLE 11	1	KBK11*15*15.8X2	C
10	+	V308-000100	WASHER,CIRCULAR 11	2		C
11		A160-002930	COVER,CYLINDER	1		C
12		V835-000000	BOLT, TORX 5	1		C
13		A160-002632	COVER,CYLINDER	1	SRM-420ES OUTER	C
14		V835-000000	BOLT, TORX 5	2		C
15		X503-013650	LABEL,MODEL	1		D
16		X547-002860	LABEL,ECHO	1		D
17		X524-001901	LABEL	1		D

Class : Consumable class

A:Fast moving parts B:Semi-fast moving parts C:Slow moving parts D:Order only as needed

CRANKCASE



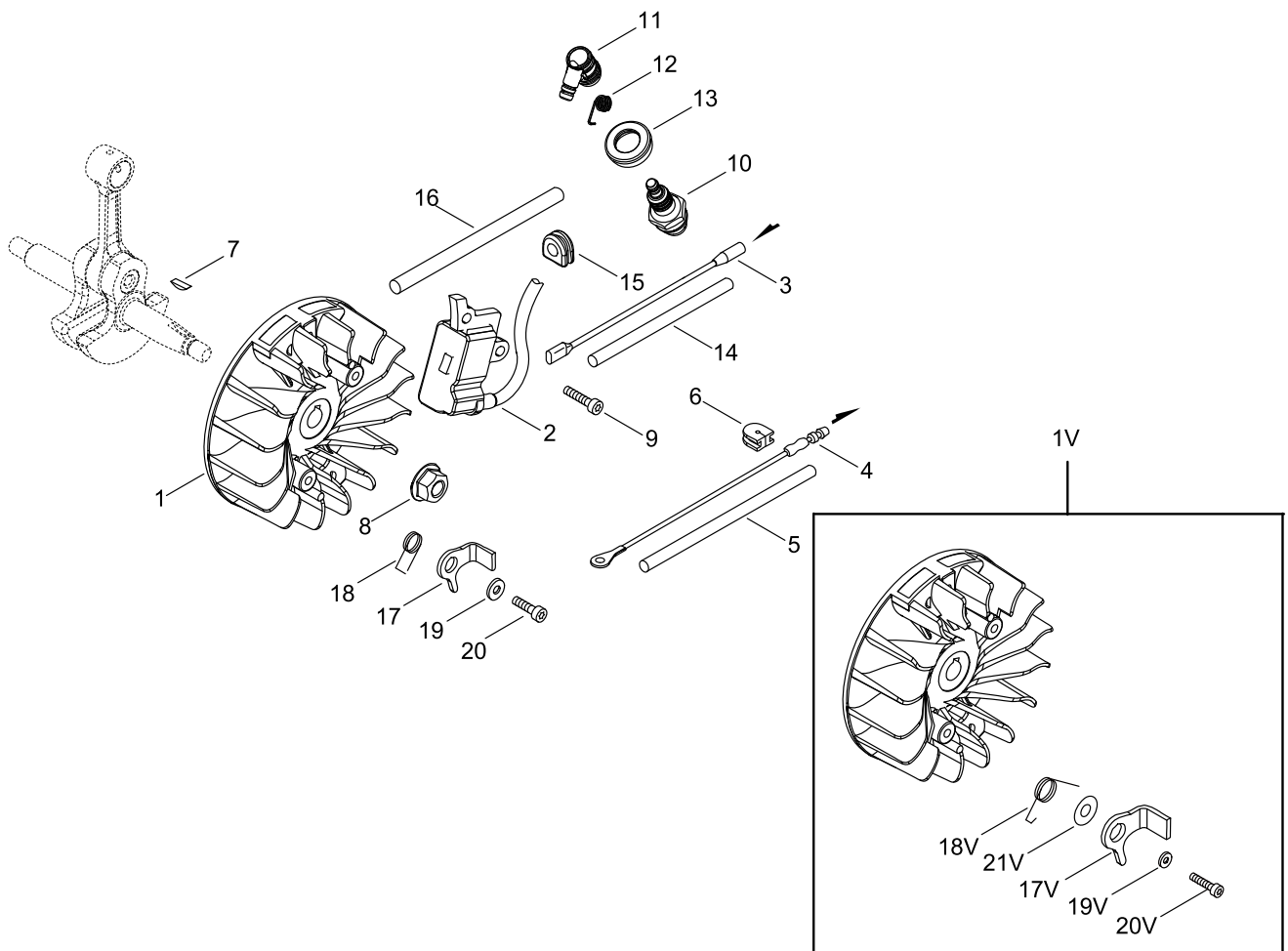
CRANKCASE

Key No.	LV (+)	Parts Number	Parts Description	Qty	Standard	Class
1		P021-047120	CRANK CASE SET	1		
2	+	900810-36202	BEARING, BALL 6202	1	6202/C3	
3	+	100213-00310	OILSEAL	1	ISCD 15 25 7	C
4	+	900810-36202	BEARING, BALL 6202	1	6202/C3	
5	+	100213-00310	OILSEAL	1	ISCD 15 25 7	C
6	+	V102-000260	GASKET,CRANKCASE	1	T:0.5	B
7	+	V805-000180	BOLT, TORX 5	4	TB-5*30 12.9	C
8		A209-000740	PLATE, INSULATOR	1		C
9		159116-21231	CLAMP	1		C
10		V835-000000	BOLT, TORX 5	2		C
11		156110-04920	BUSHING	1		C
12		V471-000741	PIPE	1	3*6*160	C
13		V475-008080	TUBE	1	8*9*125	C

Class : Consumable class

A:Fast moving parts B:Semi-fast moving parts C:Slow moving parts D:Order only as needed

MAGNETO



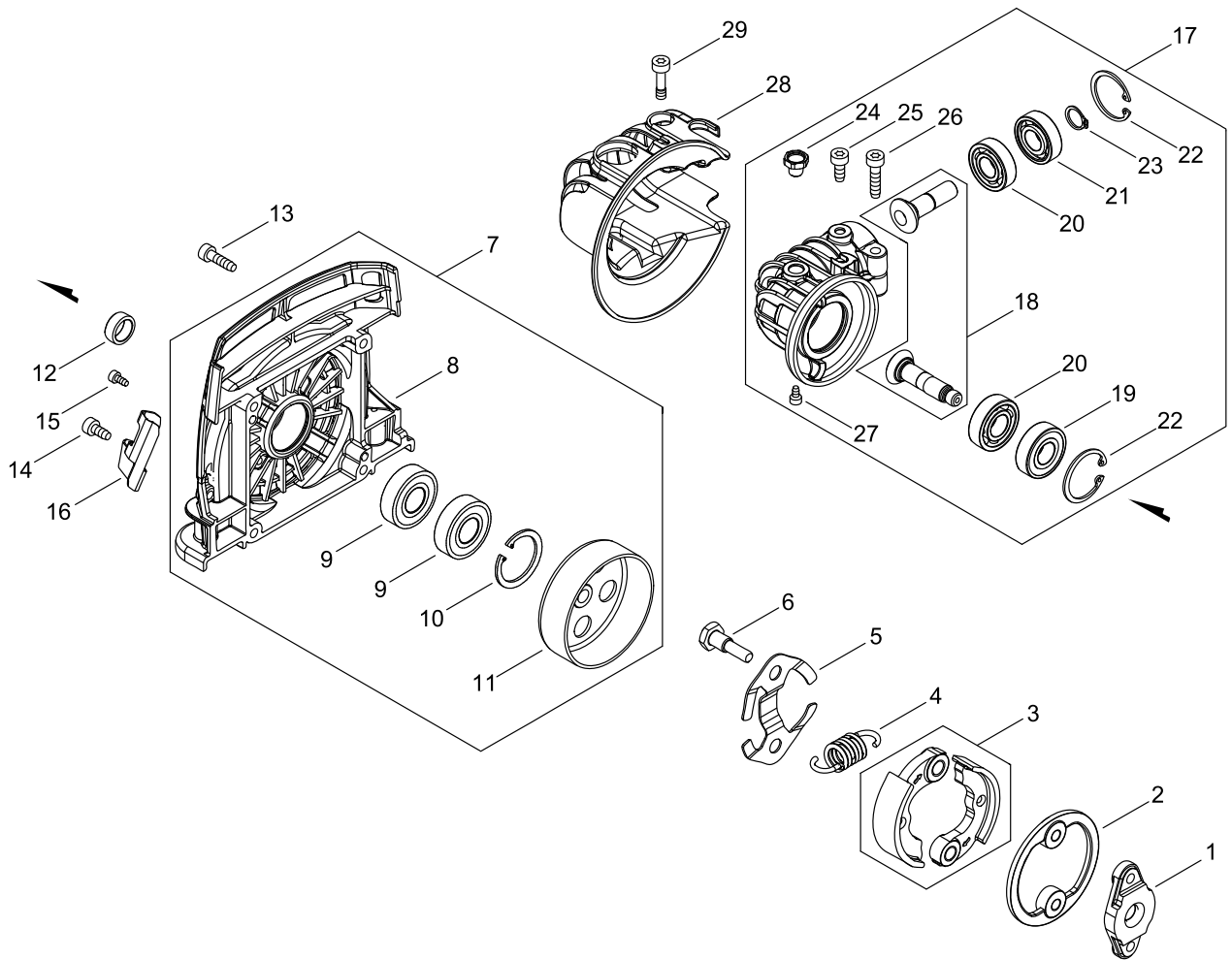
MAGNETO

Key No.	LV (+)	Parts Number	Parts Description	Qty	Standard	Class
1		A409-001210	ROTOR, MAGNETO	1		C
1V		P200-001380	ROTOR,MAGNETO KIT	1		C
2		A411-001480	COIL, IGNITION	1		C
3		V485-002331	LEAD	1		C
4		V485-002570	LEAD	1		C
5		V475-008080	TUBE	1	8*9*125	C
6		156114-07320	GROMMET	1		C
7		100142-12330	KEY, WOODRUFF	1		C
8		92105-08000	NUT L, FLANGE	1	8	
9		V805-000150	BOLT, TORX 5	2	TB-5*16 10.9	C
10		A425-000000	SPARKPLUG	1	BPMR8Y	A
11		A427-000060	CAP,SPARK PLUG	1		C
12		A426-000010	TERMINAL,SPARKPLUG	1		C
13		A429-000090	COVER,CAP	1		C
14		V475-007540	TUBE	1		C
15		156110-04920	BUSHING	1		C
16		V475-007550	TUBE	1		C
17		A514-000280	PAWL	2		C
17V	+	A514-000280	PAWL	2		C
18		V452-001471	SPRING,TORSION	2		B
18V	+	V452-001370	SPRING,TORSION	2		B
19		177247-04630	SPACER, RATCHET	2	5.2*8*2.1	C
19V	+	178070-10860	SPACER	2		C
20		V805-000140	BOLT, TORX 5	2	TB-5*12 10.9	C
20V	+	V805-000140	BOLT, TORX 5	2	TB-5*12 10.9	C
21V	+	131911-03460	WASHER	2		C

Class : Consumable class

A:Fast moving parts B:Semi-fast moving parts C:Slow moving parts D:Order only as needed

CLUTCH



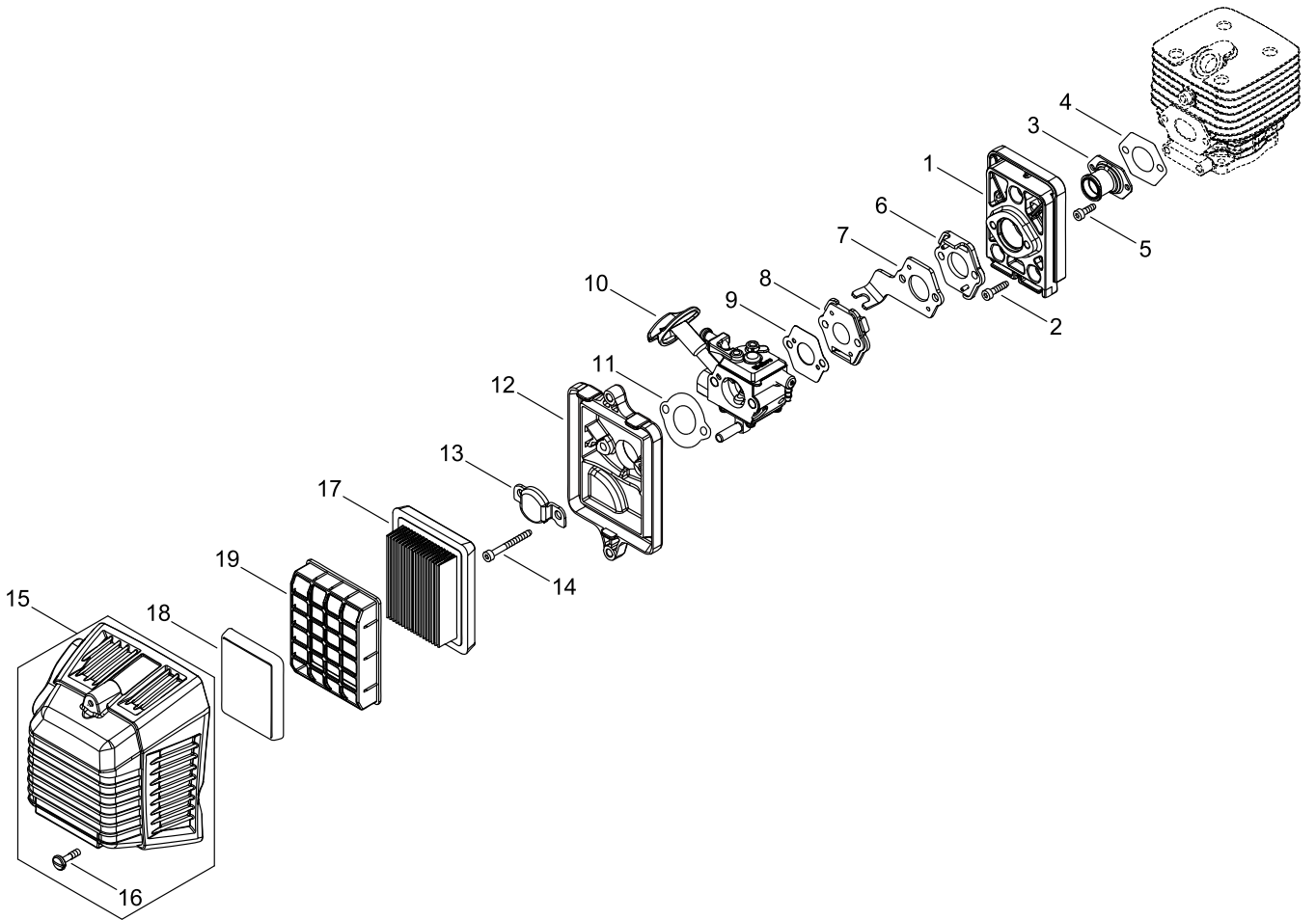
CLUTCH

Key No.	LV (+)	Parts Number	Parts Description	Qty	Standard	Class
1		A552-000450	HUB, CLUTCH	1		B
2		V376-001980	SPACER	1		C
3		P100-000080	CLUTCH SHOE SET	1		
4		A566-000230	SPRING, CLUTCH	1		B
5		V453-000230	SPRING, FLAT	1		C
6		A557-000190	SHAFT, CLUTCH	2		B
7		P100-005110	CASE, CLUTCH ASY	1		
8	+	A570-000340	CASE, CLUTCH	1		D
9	+	900804-06001	BEARING, BALL 6001ZZ	2	6001ZZ	
10	+	900702-00028	CIRCLIP 28	1	CR-28	
11	+	A556-001730	DRUM, CLUTCH	1		B
12		V357-000200	COLLAR	1		C
13		V805-000160	BOLT, TORX 5	4	TB-5*20 10.9	C
14		V805-000140	BOLT, TORX 5	1	TB-5*12 10.9	C
15		V804-000040	BOLT, TORX 4	1	TB-4*10 10.9	C
16		C480-000190	GUIDE, CABLE	1		C
17		P021-050540	GEAR CASE ASY	1		
18	+	V000-000240	GEAR SET, BEVEL	1	15/15 M10	D
19	+	94025-06001	BEARING, BALL	1	NTN BB6003LLH	
20	+	94060-06001	BEARING, BALL	2	BB6001	
21	+	94063-06001	BEARING, BALL	1		
22	+	900702-00028	CIRCLIP 28	2	CR-28	
23	+	900701-00012	CIRCLIP 12	1	CS-12	
24	+	610434-50031	BOLT 8*8	1	M8*8	B
25	+	V805-000140	BOLT, TORX 5	1	TB-5*12 10.9	C
26	+	V805-000170	BOLT, TORX 5	1	TB-5*25 10.9	C
27	+	V804-000030	BOLT, TORX 4	1	TB-4*8 10.9	C
28		C537-000000	BOOT, GEAR CASE	1		D
29		V805-000320	BOLT, TORX 5	1	TB-5*16 10.9	C

Class : Consumable class

A:Fast moving parts B:Semi-fast moving parts C:Slow moving parts D:Order only as needed

AIR CLEANER, CARBURETOR



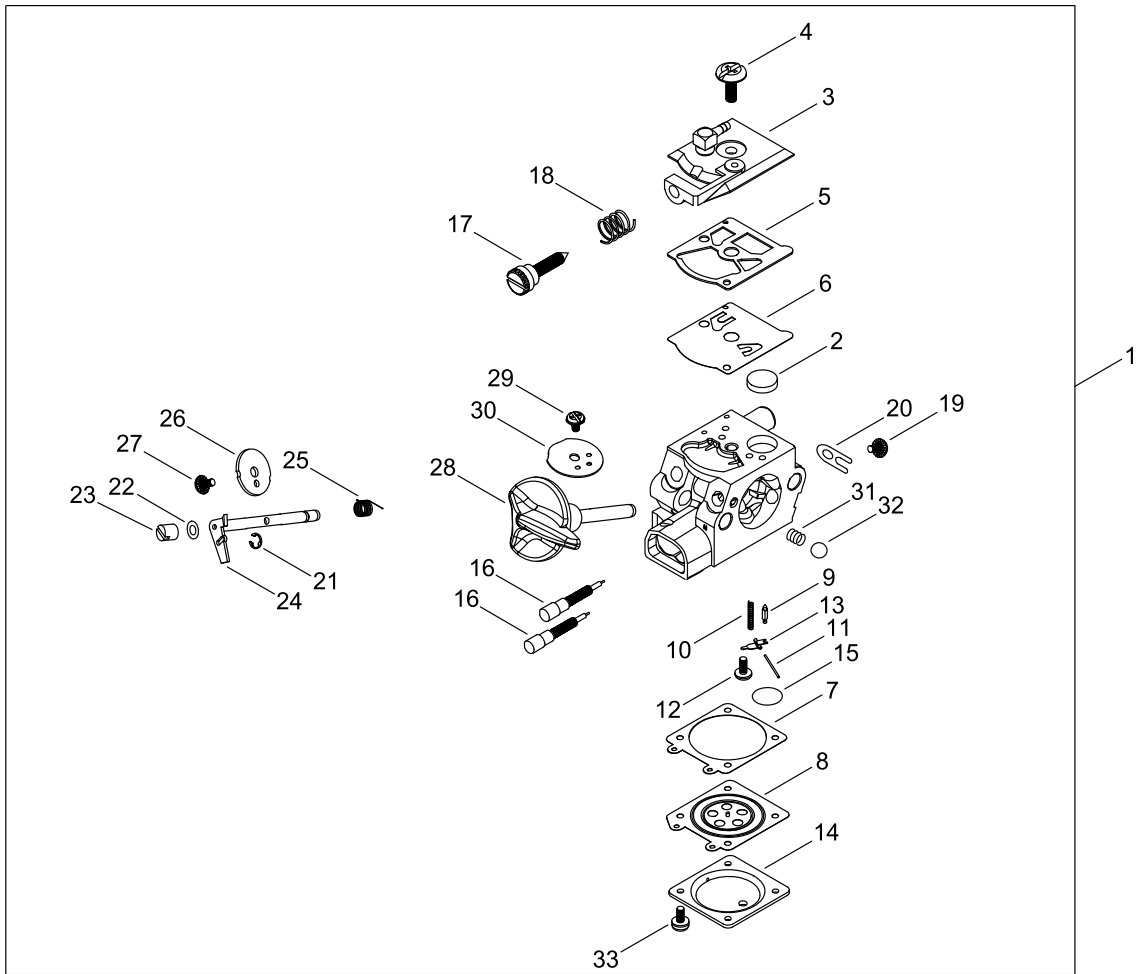
AIR CLEANER, CARBURETOR

Key No.	LV (+)	Parts Number	Parts Description	Qty	Standard	Class
1		A200-000990	INSULATOR, INTAKE	1		C
2		V855-000000	BOLT, TORX 5	3	TB-5*20	C
3		A202-000270	BELLOWS, INTAKE	1		C
4		V103-001620	GASKET,INTAKE	1		A
5		V835-000010	BOLT, TORX 5	2	TB-5*12 10.9	C
6		A209-000720	PLATE, INSULATOR	1		C
7		C487-000410	HOLDER, CABLE	1		C
8		A209-000840	PLATE, INSULATOR	1		C
9		V103-001610	GASKET,INTAKE	1		A
10		A021-004220	CARBURETOR,DIAPHRAGM	1	WT-1096	B
11		V103-000500	GASKET,INTAKE	1	ASK NO.4600	A
12		A225-000690	CASE,CLEANER	1		C
13		A244-000290	PLATE, PREVENT	1		C
14		V805-000330	BOLT, TORX 5	2	TB-5*65 12.9	C
15		P021-047381	CLEANER LID ASY	1		
16	+	V253-000100	SCREW,5	2	5*20	C
17		A226-000361	ELEMENT, AIR FILTER	1	AFP-2010K-300	A
18		A226-001740	ELEMENT, AIR FILTER	1		A
19		A227-000040	PLATE, ELEMENT	1		C

Class : Consumable class

A:Fast moving parts B:Semi-fast moving parts C:Slow moving parts D:Order only as needed

CARBURETOR



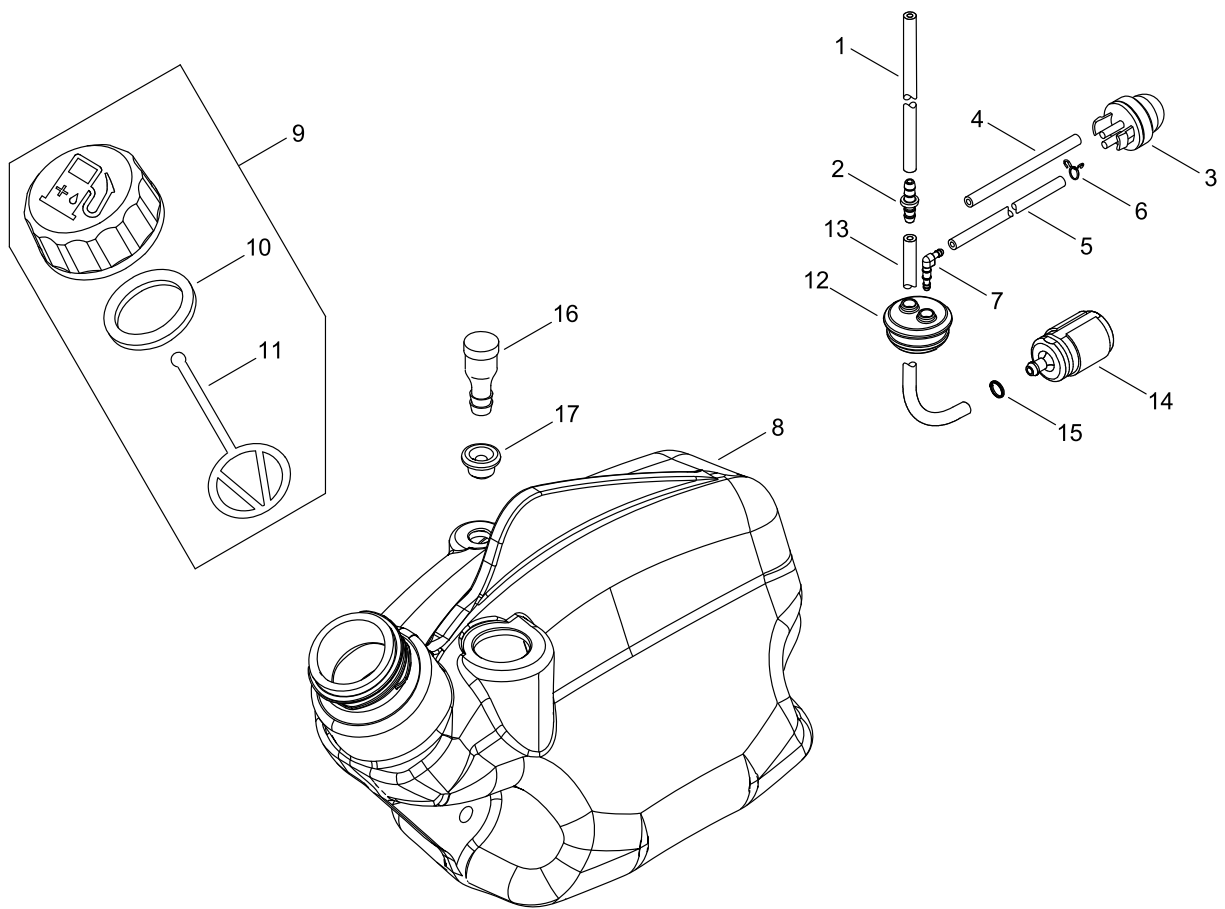
CARBURETOR

Key No.	LV (+)	Parts Number	Parts Description	Qty	Standard	Class
1		A021-004220	CARBURETOR,DIAPHRAGM	1	WT-1096	B
2	+	123126-10631	SCREEN, INLET	1		B
3	+	P003-005450	PUMP COVER ASY	1		
4	+	123110-03930	SCREW, PUMP COVER	1		D
5	+	123125-15030	GASKET, FUEL PUMP	1		A
6	+	123112-15030	DIAPHRAGM, FUEL PUMP	1		A
7	+	123140-27230	GASKET,M. DIAPHRAGM	1		A
8	+	P003-001850	DIAPHRAGM, METERING	1		A
9	+	123137-19830	VALVE, INLET NEEDLE	1		D
10	+	123122-03660	SPRING, METER. LEVER	1		D
11	+	123138-03930	PIN, METERING LEVER	1		D
12	+	123139-03930	SCREW, M. LEVER PIN	1		D
13	+	123123-03930	LEVER, METERING	1		D
14	+	123142-03930	COVER, M. DIAPHRAGM	1		D
15	+	123146-10631	PLUG, WELCH	1		C
16	+	P003-002270	NEEDLE	2		D
17	+	123134-04260	SCREW, IDLE ADJUST	1		D
18	+	123133-04260	SPRING, IDLE ADJUST	1		D
19	+	P003-005120	SCREW	1		D
20	+	123127-03930	CLIP, THROTTLE SHAFT	1		C
21	+	123173-07930	CLIP	1		C
22	+	123149-54230	WASHER	1		C
23	+	P003-005460	SWIVEL	1		
24	+	P003-005020	SHAFT ASM THROTTLE	1		
25	+	123113-47530	SPRING, THR. RTN.	1		B
26	+	P003-000310	VALVE THROTTLE	1		D
27	+	P003-002380	SCREW	1		D
28	+	P003-005470	SHAFT ASY, CHOKE	1		
29	+	123114-38830	SCREW	1		D
30	+	P003-001790	VALVE, CHOKE	1		
31	+	123135-10630	SPRING, CHOKE FRICT.	1		D
32	+	123136-10630	BALL, CHOKE FRICTION	1		D
33	+	123130-02960	SCREW	4		D

Class : Consumable class

A:Fast moving parts B:Semi-fast moving parts C:Slow moving parts D:Order only as needed

FUEL TANK



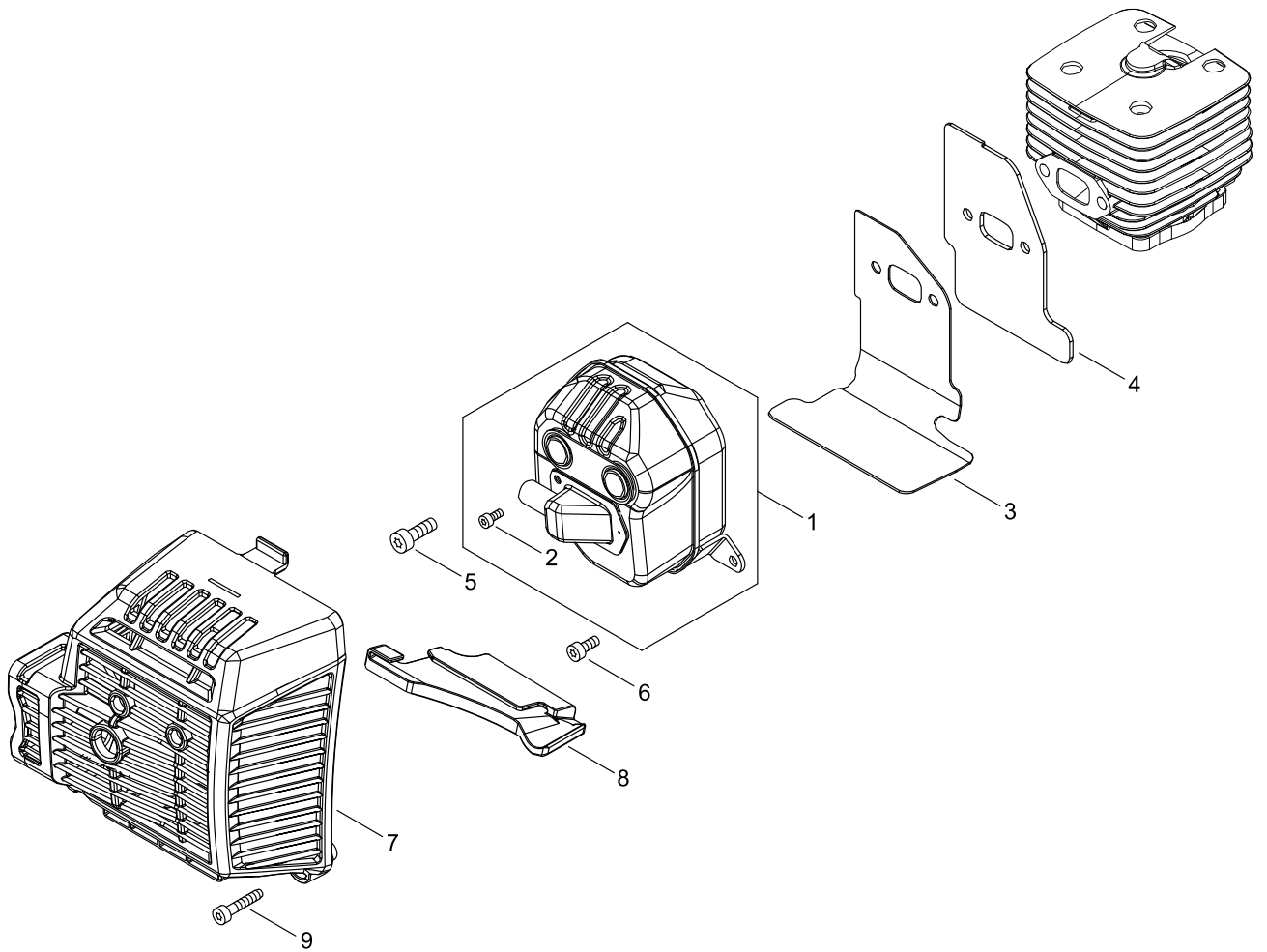
FUEL TANK

Key No.	LV (+)	Parts Number	Parts Description	Qty	Standard	Class
1		437217-20761	PIPE	1	3*6*100	C
2		V186-000510	JOINT,PIPE	1		C
3		123181-39130	PUMP, PRIMER	1		A
4		V471-001301	PIPE	1	2.4*5*65	C
5		V471-000550	PIPE	1	3*6*145	C
6		V490-000510	CLIP	1		C
7		V186-000500	JOINT,PIPE	1		C
8		A350-002310	TANK, FUEL	1		C
9		P021-012211	CAP,FUEL ASY	1		C
10	+	V107-000190	GASKET,FUEL CAP	1	37.9* T 2.2	A
11	+	A365-000060	CONNECTOR,CAP	1	L=123	B
12		132115-56230	GROMMET, FUEL	1		C
13		V471-002171	PIPE	1	3*5*230	C
14		A369-000001	STRAINER, FUEL	1	125-528	A
15		V490-001240	CLIP	1		C
16		131300-56431	VENT ASSEMBLY, FUEL	1		B
17		V137-000001	GROMMET,FUEL	1		C

Class : Consumable class

A:Fast moving parts B:Semi-fast moving parts C:Slow moving parts D:Order only as needed

MUFFLER



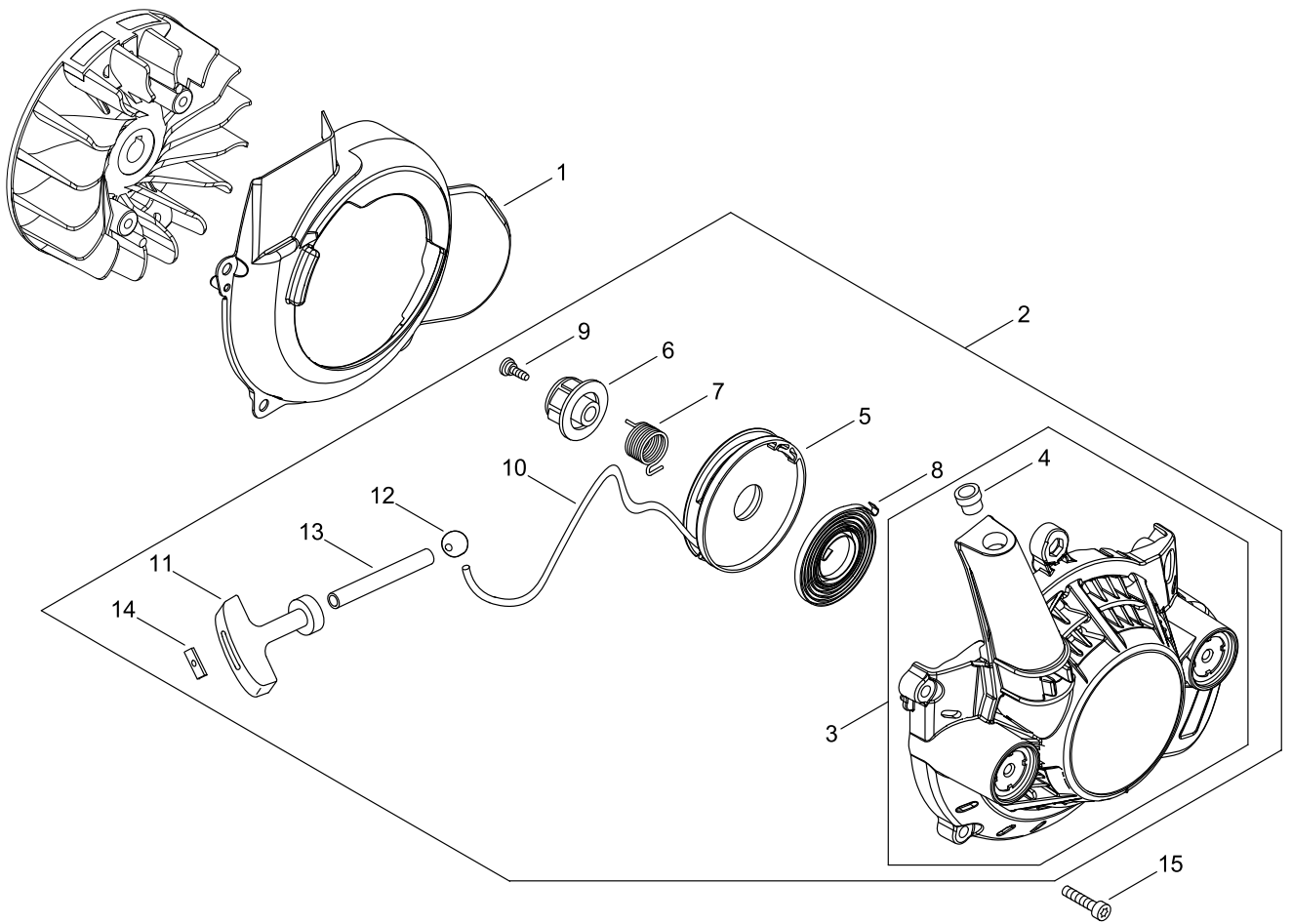
MUFFLER

Key No.	LV (+)	Parts Number	Parts Description	Qty	Standard	Class
1		P100-005120	MUFFLER ASY	1		
2	+	V804-000030	BOLT, TORX 4	1	TB-4*8 10.9	C
3		V104-002170	GASKET,EXHAUST	1	NP7002 T:1.0	A
4		V104-002030	GASKET,EXHAUST	1		A
5		V806-000050	BOLT, TORX 6	2	TB-6*20 12.9	C
6		V805-000300	BOLT, TORX 5	1	TB-5*12 12.9	C
7		A320-001000	COVER,MUFFLER	1		C
8		V541-000540	SEAL	1		C
9		V805-000260	BOLT, TORX 5	2	TB5*25 10.9	C

Class : Consumable class

A:Fast moving parts B:Semi-fast moving parts C:Slow moving parts D:Order only as needed

RECOIL STARTER



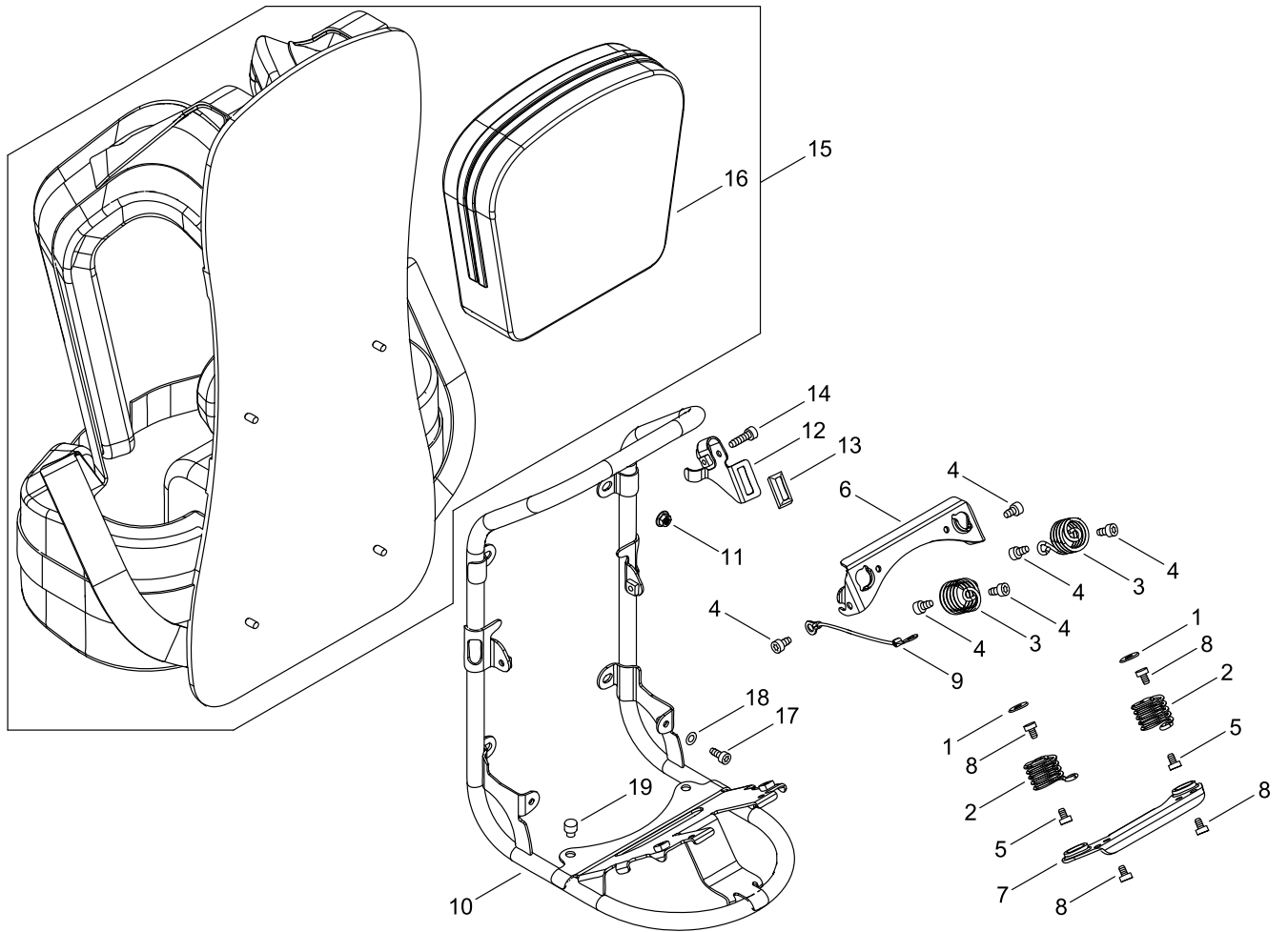
RECOIL STARTER

Key No.	LV (+)	Parts Number	Parts Description	Qty	Standard	Class
1		A172-002600	COVER,FAN	1		C
2		A051-003170	STARTER,RECOIL ASY	1		B
3	+	P022-050500	CASE,STARTER	1		
4	++	P022-045770	GUIDE, ROPE	1		C
5	+	P022-023140	DRUM, STARTER	1		
6	+	P022-033830	CAM	1		
7	+	P022-042450	SPRING DAMPER	1		
8	+	P022-042460	SPRING SPIRAL	1		
9	+	P022-023110	SCREW	1		
10	+	P022-042470	ROPE STARTER	1		
11	+	177228-27030	GRIP, STARTER	1		C
12	+	177272-10120	STOPPER	1		C
13	+	V471-003161	PIPE	1	7*11*75 BLACK	C
14	+	P022-037670	STOPPER, ROPE	1		C
15		V835-000030	BOLT, TORX 5	4	TB-5*20 10.9	C

Class : Consumable class

A:Fast moving parts B:Semi-fast moving parts C:Slow moving parts D:Order only as needed

BACKPACK HARNESS



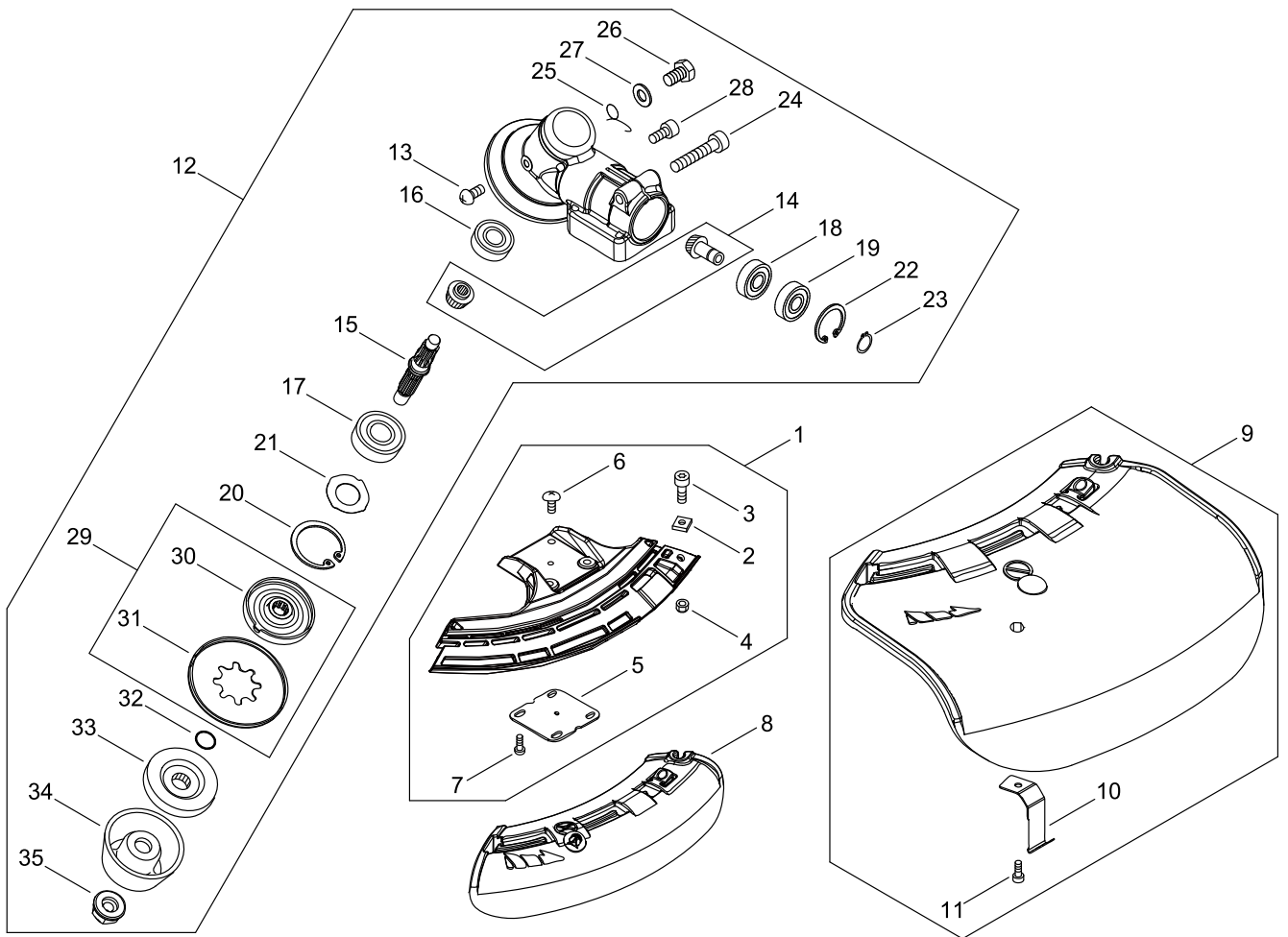
BACKPACK HARNESS

Key No.	LV (+)	Parts Number	Parts Description	Qty	Standard	Class
1		177214-02830	WASHER	2	5.2*16*1.0T	C
2		V450-000330	SPRING,COMPRESSION	2		B
3		V450-000330	SPRING,COMPRESSION	2		B
4		V805-000140	BOLT, TORX 5	6	TB-5*12 10.9	C
5		V805-000000	BOLT, TORX 5	2	TT-5*16 DG 10.9	C
6		V456-000350	HOLDER,SPRING	1		C
7		V456-000340	HOLDER,SPRING	1		C
8		V805-000140	BOLT, TORX 5	4	TB-5*12 10.9	C
9		C617-000770	STOPPER	1		C
10		C620-000490	FRAME, BACKPACK	1		C
11		900516-00005	NUT, FRANGE 5	4	5	
12		V423-000140	HOLDER,CUSHION	1	T1.5 M5	C
13		V420-003960	CUSHION	1		B
14		V805-000170	BOLT, TORX 5	1	TB-5*25 10.9	C
15		C061-000700	HARNESS,ASM BACKPACK	1		B
16	+	X698-000140	TOOL,CASE	1	240X70X220 ECHO	
17		V805-000150	BOLT, TORX 5	2	TB-5*16 10.9	C
18		177214-02830	WASHER	2	5.2*16*1.0T	C
19		V420-001790	CUSHION	2		B

Class : Consumable class

A:Fast moving parts B:Semi-fast moving parts C:Slow moving parts D:Order only as needed

GEAR CASE, SHIELD



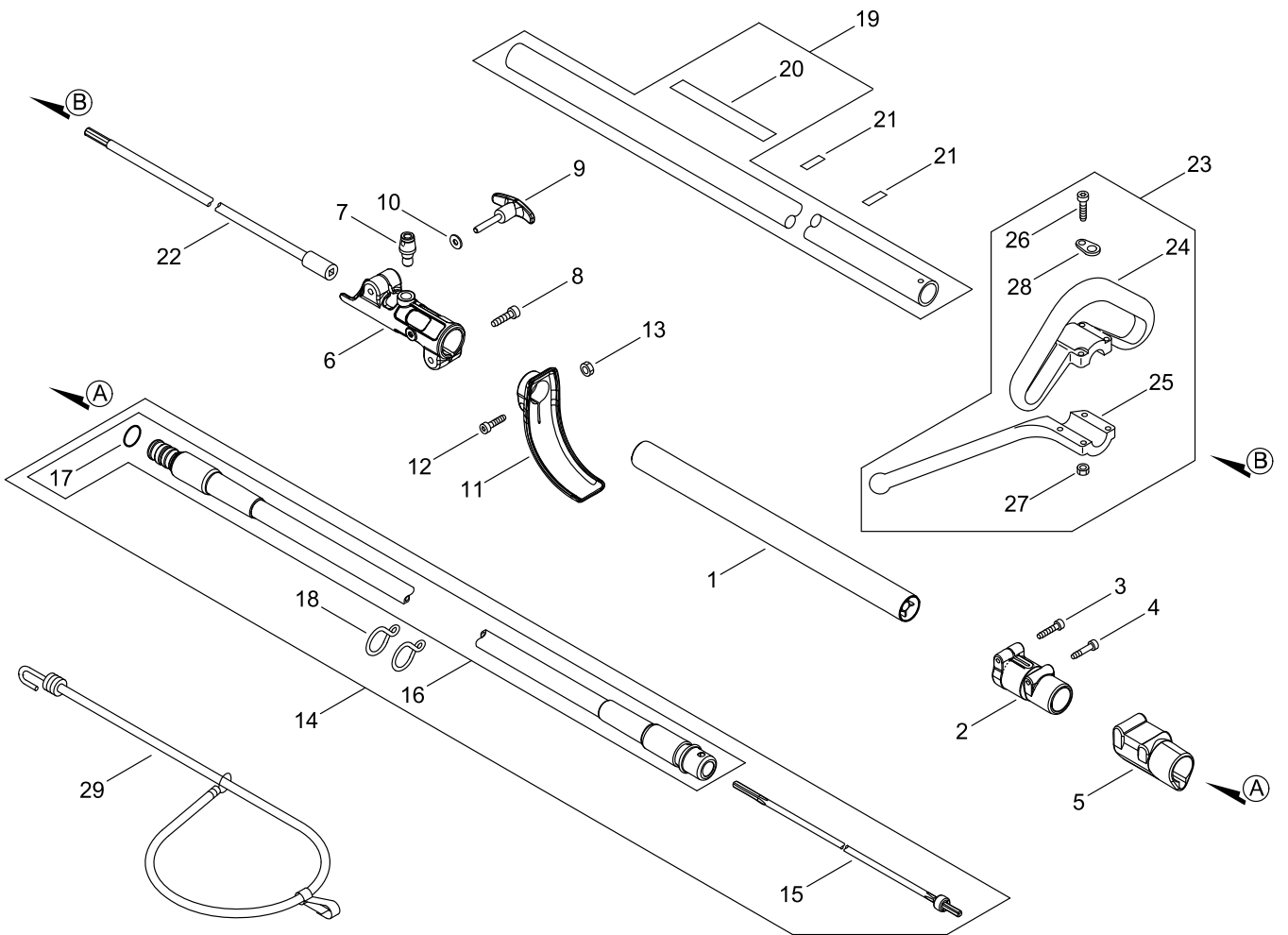
GEAR CASE, SHIELD

Key No.	LV (+)	Parts Number	Parts Description	Qty	Standard	Class
1		P100-010520	SHIELD ASY	1		B
2	+	900565-00005	NUT, SQUARE	1	5	
3	+	V805-000170	BOLT, TORX 5	1	TB-5*25 10.9	C
4	+	900562-00005	NUT, LOCK	1	5	
5	+	C552-000200	PLATE, SHIELD	1		D
6	+	91316-04010	SCREW	1	4*10	C
7	+	V805-000260	BOLT, TORX 5	4	TB5*25 10.9	C
8		C550-000551	SHIELD, BLADE	1		B
9		P021-041320	SHIELD ASY, BLADE	1		
10	+	C554-000030	KNIFE, CORD	1	17INCH	B
11		V805-000150	BOLT, TORX 5	1	TB-5*16 10.9	C
12		P021-041342	CASE, GEAR	1		
13	+	900220-04006	SCREW	1	4*6	
14	+	610300-56930	GEAR SET	1		D
15	+	610310-56933	SHAFT, P.T.O.	1	12*10*1	D
16	+	900810-00629	BEARING, BALL	1	629	
17	+	900812-06201	BEARING, BALL	1	6201LLU(DDU)	
18	+	900800-06001	BEARING, BALL	1	6001	
19	+	900803-06001	BEARING, BALL	1	6001Z	
20	+	900702-00032	RETAINING RING	1	CR-32	
21	+	610444-56830	WASHER	1		C
22	+	900702-00028	RETAINING RING	1	CR-28	
23	+	900701-00012	RETAINING RING	1	CS-12	
24	+	V806-000100	BOLT, TORX 6	1	TB-6*30 10.9	C
25	+	V452-001310	SPRING, TORSION	1		B
26	+	610434-50031	BOLT 8*8	1	M8*8	B
27	+	900603-50008	WASHER	1	8.5*18*0.8T	C
28	+	V805-000130	BOLT, TORX 5	1	TB-5*10 10.9	C
29	+	610313-52932	FIXTURE, BLADE	1		B
30	++	610313-52132	FIXTURE, BLADE	1		C
31	++	610352-56830	PLATE, CUP	1		B
32	+	900720-00012	O-RING	1	P-12	
33	+	610314-52130	PLATE, ADAPTER (L)	1		B
34	+	699229-56830	PLATE, COVER	1		B
35	+	610320-52130	NUT 10	1		B

Class : Consumable class

A:Fast moving parts B:Semi-fast moving parts C:Slow moving parts D:Order only as needed

MAIN PIPE, HANDLE



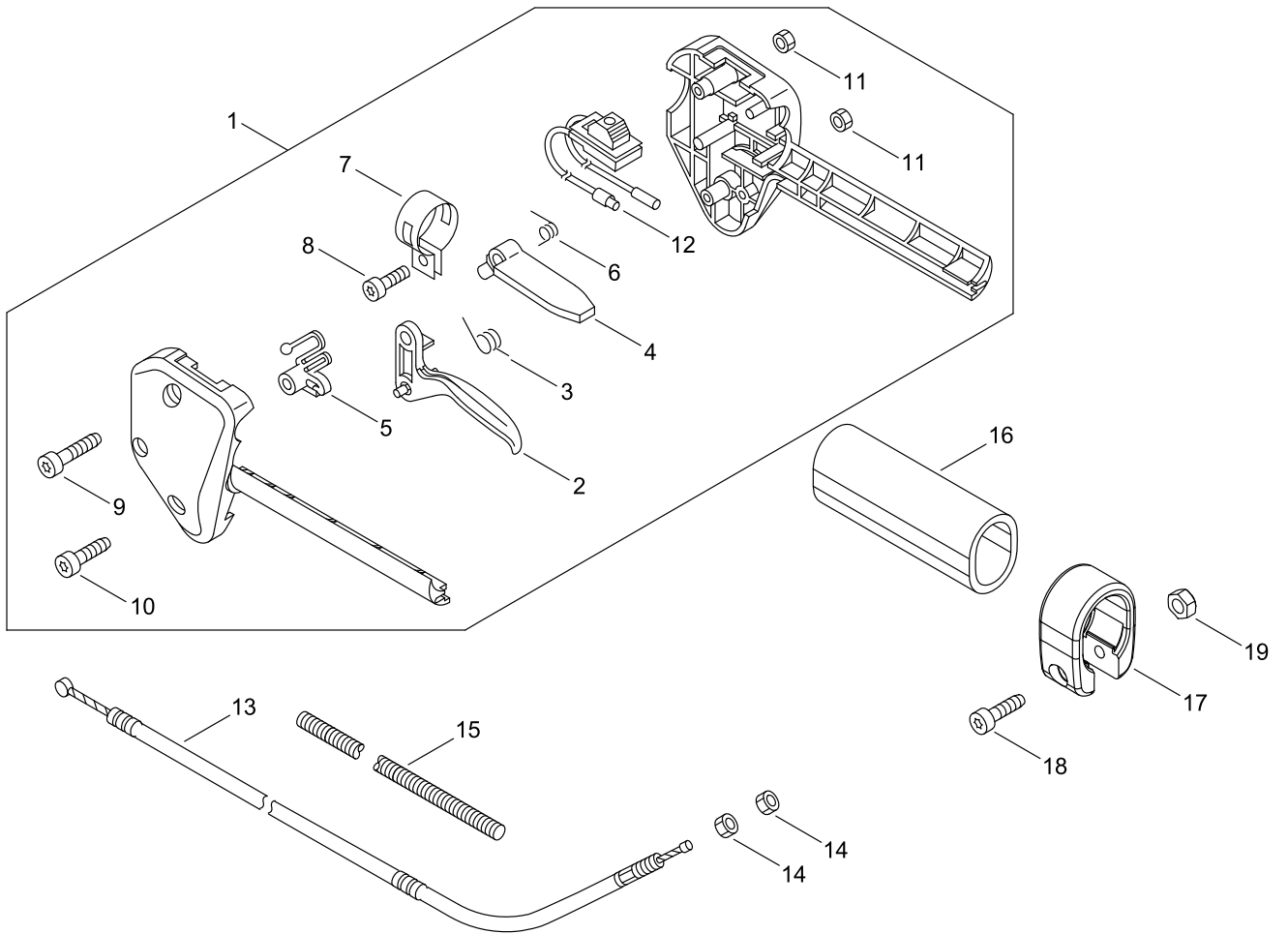
MAIN PIPE, HANDLE

Key No.	LV (+)	Parts Number	Parts Description	Qty	Standard	Class
1		C050-002960	PIPE,MAIN	1	25X320XT1.2	C
2		C510-000290	COUPLING, MAIN PIPE	1		C
3		V805-000050	BOLT, TORX 5	1	TB-5*30 10.9	C
4		V203-002300	BOLT,5	1	M5*30	C
5		C483-000010	BOOT,CONNECTOR	1		C
6		C510-000300	COUPLING, MAIN PIPE	1		C
7		P100-005150	LATCH ASY	1		
8		V806-000020	BOLT, TORX 6	1	TB-6*25 10.9	C
9		V299-000620	KNOB,FASTENER	1	M6*L30	C
10		V304-000160	WASHER	1		C
11		A248-000050	GUARD, LEVER	1		C
12		V805-000160	BOLT, TORX 5	1	TB-5*20 10.9	C
13		900500-00005	NUT 5	1	5	
14		C057-000302	FLEX SHAFT,ASM	1		C
15	+	C506-000462	SHAFT,FLEXIBLE	1	1468.5	B
16	+	C508-000090	COVER,FLEX SHAFT	1		C
17	++	900720-00018	O-RING 18	1	P-18	
18	+	300318-56330	HOOK	2	9*30	C
19		P021-050630	MAIN PIPE ASY	1		
20	+	890617-43130	LABEL,CAUTION	1		D
21		890152-04930	LABEL, CAUTION	2		D
22		C504-001280	SHAFT, DRIVE	1	8*1140	C
23		P100-005130	HANDLE ASY	1		
24	+	351214-06930	HANDLE, FRONT (28)	1		C
25	+	351643-55630	BRACKET, HANDLE	1		C
26	+	V805-000060	BOLT, TORX 5	4	TB-5*35 10.9	C
27	+	900500-00005	NUT 5	4	5	
28	+	300515-07130	PLATE, ROPE	1		C
29		300500-07131	ROPE, ELASTIC	1		B

Class : Consumable class

A:Fast moving parts B:Semi-fast moving parts C:Slow moving parts D:Order only as needed

THROTTLE



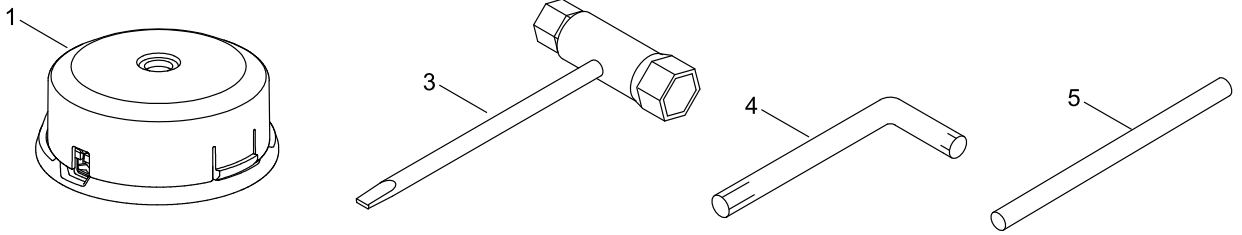
THROTTLE

Key No.	LV (+)	Parts Number	Parts Description	Qty	Standard	Class
1		P100-005140	THROTTLE ASY	1		
2	+	C450-000990	CONTROL, THROTTLE	1		C
3	+	178043-42230	SPRING, THR. RETURN	1		B
4	+	178090-52632	LOCKOUT, T. CONTROL	1		C
5	+	178012-52630	LOCKOUT, THROTTLE	1		C
6	+	178013-52630	SPRING, THR. LOCK	1		B
7	+	V495-003610	BAND	1		C
8	+	V805-000150	BOLT, TORX 5	1	TB-5*16 10.9	C
9	+	V805-000060	BOLT, TORX 5	1	TB-5*35 10.9	C
10	+	V805-000170	BOLT, TORX 5	1	TB-5*25 10.9	C
11	+	900500-00005	NUT 5	2	5	
12	+	A440-002890	SWITCH, ON OFF	1	CA104 CB104	C
13		V430-005110	CABLE, BOWDEN	1	IN75 OUTER1600	B
14		900502-00006	NUT 6 (3N)	2	3N6	
15		V475-009170	TUBE	1	7*1380	C
16		C403-000140	GRIP, HANDLE	1	L129.5*28	C
17		610272-52130	BAND	1		C
18		V805-000170	BOLT, TORX 5	1	TB-5*25 10.9	C
19		900500-00005	NUT 5	1	5	

Class : Consumable class

A:Fast moving parts B:Semi-fast moving parts C:Slow moving parts D:Order only as needed

ACCESSORIES



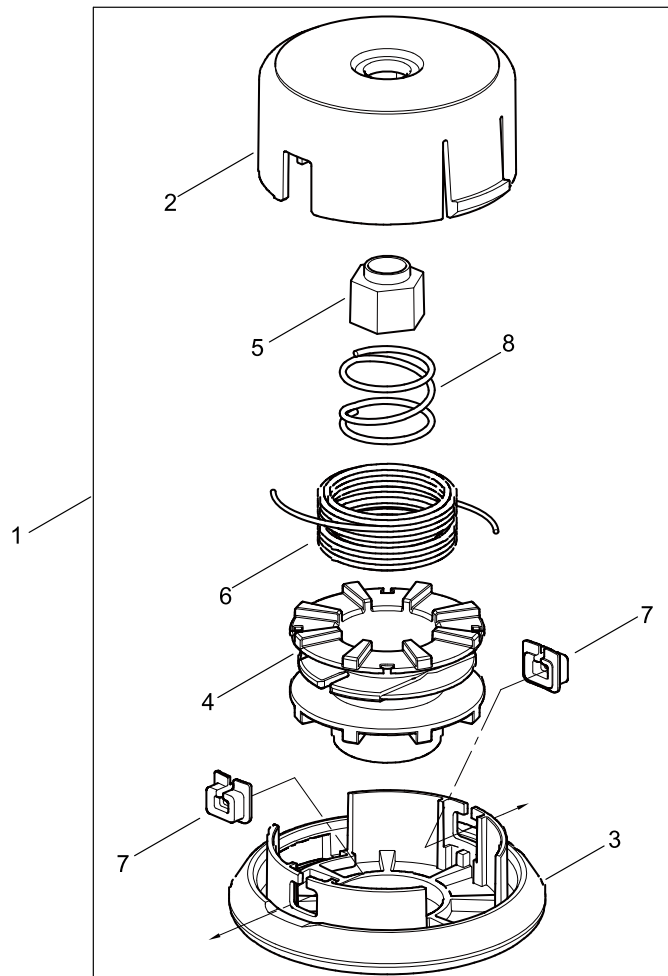
ACCESSORIES

Key No.	LV (+)	Parts Number	Parts Description	Qty	Standard	Class
1		X047-001180	CUTTER,ASM LINE	1	Z-5/M10L	A
3		X602-000020	TOOL,WRENCH	1	17*19 L200	D
4		X605-000170	TOOL,L WRENCH	1		D
5		X606-000080	TOOL,BAR	1	5*120	D

Class : Consumable class

A:Fast moving parts B:Semi-fast moving parts C:Slow moving parts D:Order only as needed

NYLON LINE CUTTER



NYLON LINE CUTTER

Key No.	LV (+)	Parts Number	Parts Description	Qty	Standard	Class
1		X047-001180	CUTTER,ASM LINE	1	Z-5/M10L	A
2	+	P022-035000	HOUSING	1		
3	+	P022-010410	COVER	1		
4	+	P022-010400	BOBBIN	1		
5	+	P022-023180	NUT	1		
6	+	P022-010380	NYLON CODE	1		
7	+	P022-000710	EYELET	2	T4	
8	+	P022-010370	SPRING	1		

Class : Consumable class

A:Fast moving parts B:Semi-fast moving parts C:Slow moving parts D:Order only as needed

NUMERICAL PARTS INDEX

Part No	Part description	Page	Part No	Part description	Page	Part No	Part description	Page
100015-32330	CIRCLIP, PISTON PIN	2	300515-07130	PLATE, ROPE	24	A021-004220	CARBURETOR, DIAPHRAGM	10
100142-12330	KEY, WOODRUFF	6	351214-06930	HANDLE, FRONT (28)	24	A021-004220	CARBURETOR, DIAPHRAGM	12
100213-00310	OILSEAL	4	351643-55630	BRACKET, HANDLE	24	A051-003170	STARTER,RECOIL ASY	18
123110-03930	SCREW, PUMP COVER	12	437217-20761	PIPE	14	A101-000690	RING, PISTON	2
123112-15030	DIAPHRAGM, FUEL PUMP	12	610272-52130	BAND	26	A130-002191	CYLINDER	2
123113-47530	SPRING, THR. RTN.	12	610300-56930	GEAR SET	22	A160-002632	COVER,CYLINDER	2
123114-38830	SCREW	12	610310-56933	SHAFT, P.T.O.	22	A160-002930	COVER,CYLINDER	2
123122-03660	SPRING, METER. LEVER	12	610313-52132	FIXTURE,BLADE	22	A172-002600	COVER,FAN	18
123123-03930	LEVER, METERING	12	610313-52932	FIXTURE,BLADE	22	A200-000990	INSULATOR, INTAKE	10
123125-15030	GASKET, FUEL PUMP	12	610314-52130	PLATE, ADAPTER (L)	22	A202-000270	BELLOWS, INTAKE	10
123126-10631	SCREEN, INLET	12	610320-52130	NUT 10	22	A209-000720	PLATE, INSULATOR	10
123127-03930	CLIP, THROTTLE SHAFT	12	610352-56830	PLATE, CUP	22	A209-000740	PLATE, INSULATOR	4
123130-02960	SCREW	12	610434-50031	BOLT 8* 8	8	A209-000840	PLATE, INSULATOR	10
123133-04260	SPRING, IDLE ADJUST	12	610434-50031	BOLT 8* 8	22	A225-000690	CASE,CLEANER	10
123134-04260	SCREW, IDLE ADJUST	12	610444-56830	WASHER	22	A226-000361	ELEMENT, AIR FILTER	10
123135-10630	SPRING, CHOKE FRICT.	12	699229-56830	PLATE, COVER	22	A226-001740	ELEMENT, AIR FILTER	10
123136-10630	BALL, CHOKE FRICTION	12	890152-04930	LABEL, CAUTION	24	A227-000040	PLATE, ELEMENT	10
123137-19830	VALVE, INLET NEEDLE	12	890617-43130	LABEL,CAUTION	24	A244-000290	PLATE, PREVENT	10
123138-03930	PIN, METERING LEVER	12	900220-04006	SCREW	22	A248-000050	GUARD, LEVER	24
123139-03930	SCREW, M. LEVER PIN	12	900500-00005	NUT 5	24	A320-001000	COVER,MUFFLER	16
123140-27230	GASKET,M. DIAPHRAGM	12	900500-00005	NUT 5	26	A350-002310	TANK, FUEL	14
123142-03930	COVER, M. DIAPHRAGM	12	900502-00006	NUT 6 (3N)	26	A365-000060	CONNECTOR,CAP	14
123146-10631	PLUG, WELCH	12	900516-00005	NUT, FRANGE 5	20	A369-000001	STRAINER, FUEL	14
123149-54230	WASHER	12	900562-00005	NUT, LOCK	22	A409-001210	ROTOR, MAGNETO	6
123173-07930	CLIP	12	900565-00005	NUT, SQUARE	22	A411-001480	COIL, IGNITION	6
123181-39130	PUMP, PRIMER	14	900603-50008	WASHER	22	A425-000000	SPARKPLUG	6
131300-56431	VENT ASSEMBLY, FUEL	14	900701-00012	CIRCLIP 12	8	A426-000010	TERMINAL,SPARKPLUG	6
131911-03460	WASHER	6	900701-00012	RETAINING RING	22	A427-000060	CAP,SPARK PLUG	6
132115-56230	GROMMET, FUEL	14	900702-00028	CIRCLIP 28	8	A429-000090	COVER,CAP	6
156110-04920	BUSHING	4	900702-00028	RETAINING RING	22	A440-002890	SWITCH, ON OFF	26
156110-04920	BUSHING	6	900702-00032	RETAINING RING	22	A514-000280	PAWL	6
156114-07320	GROMMET	6	900720-00012	O-RING	22	A552-000450	HUB, CLUTCH	8
159116-21231	CLAMP	4	900720-00018	O-RING 18	24	A556-001730	DRUM, CLUTCH	8
177214-02830	WASHER	20	900800-06001	BEARING, BALL	22	A557-000190	SHAFT, CLUTCH	8
177228-27030	GRIP, STARTER	18	900803-06001	BEARING, BALL	22	A566-000230	SPRING, CLUTCH	8
177247-04630	SPACER, RATCHET	6	900804-06001	BEARING, BALL 6001ZZ	8	A570-000340	CASE,CLUTCH	8
177272-10120	STOPPER	18	900810-00629	BEARING, BALL	22	C050-002960	PIPE,MAIN	24
178012-52630	LOCKOUT, THROTTLE	26	900810-36202	BEARING, BALL 6202	4	C057-000302	FLEX SHAFT,ASM	24
178013-52630	SPRING, THR. LOCK	26	900812-06201	BEARING, BALL	22	C061-000700	HARNES,ASM BACKPACK	20
178043-42230	SPRING, THR. RETURN	26	91316-04010	SCREW	22	C403-000140	GRIP, HANDLE	26
178070-10860	SPACER	6	92105-08000	NUT L, FLANGE	6	C450-000990	CONTROL, THROTTLE	26
178090-52632	LOCKOUT, T. CONTROL	26	94025-06001	BEARING, BALL	8	C480-000190	GUIDE, CABLE	8
300318-56330	HOOK	24	94060-06001	BEARING, BALL	8	C483-000010	BOOT,CONNECTOR	24
300500-07131	ROPE, ELASTIC	24	94063-06001	BEARING, BALL	8	C487-000410	HOLDER, CABLE	10
			A011-001350	CRANKSHAFT,ASY	2			

NUMERICAL PARTS INDEX

Part No	Part description	Page	Part No	Part description	Page	Part No	Part description	Page
C504-001280	SHAFT, DRIVE	24	P100-000080	CLUTCH SHOE SET	8	V475-008080	TUBE	4
C506-000462	SHAFT,FLEXIBLE	24	P100-005110	CASE,CLUTCH ASY	8	V475-008080	TUBE	6
C508-000090	COVER,FLEX SHAFT	24	P100-005120	MUFFLER ASY	16	V475-009170	TUBE	26
C510-000290	COUPLING, MAIN PIPE	24	P100-005130	HANDLE ASY	24	V485-002331	LEAD	6
C510-000300	COUPLING, MAIN PIPE	24	P100-005140	THROTTLE ASY	26	V485-002570	LEAD	6
C537-000000	BOOT,GEAR CASE	8	P100-005150	LATCH ASY	24	V490-000510	CLIP	14
C550-000551	SHIELD,BLADE	22	P100-010520	SHIELD ASY	22	V490-001240	CLIP	14
C552-000200	PLATE, SHIELD	22	P200-001380	ROTOR,MAGNETO KIT	6	V495-003610	BAND	26
C554-000030	KNIFE, CORD	22	V000-000240	GEAR SET, BEVEL	8	V541-000540	SEAL	16
C617-000770	STOPPER	20	V100-000790	GASKET,CYL	2	V556-000000	BEARING,NEEDLE 11	2
C620-000490	FRAME, BACKPACK	20	V102-000260	GASKET,CRANKCASE	4	V609-000000	PIN,ENG 11	2
P003-000310	VALVE THROTTLE	12	V103-000500	GASKET,INTAKE	10	V804-000030	BOLT, TORX 4	8
P003-001790	VALVE, CHOKE	12	V103-001610	GASKET,INTAKE	10	V804-000030	BOLT, TORX 4	16
P003-001850	DIAPHRAGM, METERING	12	V103-001620	GASKET,INTAKE	10	V804-000040	BOLT, TORX 4	8
P003-002270	NEEDLE	12	V104-002030	GASKET,EXHAUST	16	V805-000000	BOLT, TORX 5	20
P003-002380	SCREW	12	V104-002170	GASKET,EXHAUST	16	V805-000050	BOLT, TORX 5	24
P003-005020	SHAFT ASM THROTTLE	12	V107-000190	GASKET,FUEL CAP	14	V805-000060	BOLT, TORX 5	24
P003-005120	SCREW	12	V137-000001	GROMMET,FUEL	14	V805-000060	BOLT, TORX 5	26
P003-005450	PUMP COVER ASY	12	V186-000500	JOINT,PIPE	14	V805-000130	BOLT, TORX 5	22
P003-005460	SWIVEL	12	V186-000510	JOINT,PIPE	14	V805-000140	BOLT, TORX 5	6
P003-005470	SHAFT ASY, CHOKE	12	V203-002300	BOLT,5	24	V805-000140	BOLT, TORX 5	8
P021-012211	CAP,FUEL ASY	14	V253-000100	SCREW,5	10	V805-000140	BOLT, TORX 5	20
P021-041320	SHIELD ASY, BLADE	22	V299-000620	KNOB,FASTENER	24	V805-000150	BOLT, TORX 5	6
P021-041342	CASE,GEAR	22	V304-000160	WASHER	24	V805-000150	BOLT, TORX 5	20
P021-047120	CRANK CASE SET	4	V308-000100	WASHER,CIRCULAR 11	2	V805-000150	BOLT, TORX 5	22
P021-047381	CLEANER LID ASY	10	V357-000200	COLLAR	8	V805-000150	BOLT, TORX 5	26
P021-050440	PISTON KIT	2	V376-001980	SPACER	8	V805-000160	BOLT, TORX 5	8
P021-050540	GEAR CASE ASY	8	V420-001790	CUSHION	20	V805-000160	BOLT, TORX 5	24
P021-050630	MAIN PIPE ASY	24	V420-003960	CUSHION	20	V805-000170	BOLT, TORX 5	8
P022-000710	EYELET	30	V423-000140	HOLDER,CUSHION	20	V805-000170	BOLT, TORX 5	20
P022-010370	SPRING	30	V430-005110	CABLE,BOWDEN	26	V805-000170	BOLT, TORX 5	22
P022-010380	NYLON CODE	30	V450-000330	SPRING,COMPRESSION	20	V805-000170	BOLT, TORX 5	26
P022-010400	BOBBIN	30	V452-001310	SPRING,TORSION	22	V805-000180	BOLT, TORX 5	4
P022-010410	COVER	30	V452-001370	SPRING,TORSION	6	V805-000210	BOLT, TORX 5	2
P022-023110	SCREW	18	V452-001471	SPRING,TORSION	6	V805-000260	BOLT, TORX 5	16
P022-023140	DRUM, STARTER	18	V453-000230	SPRING,FLAT	8	V805-000260	BOLT, TORX 5	22
P022-023180	NUT	30	V456-000340	HOLDER,SPRING	20	V805-000300	BOLT, TORX 5	16
P022-033830	CAM	18	V456-000350	HOLDER,SPRING	20	V805-000320	BOLT, TORX 5	8
P022-035000	HOUSING	30	V471-000550	PIPE	14	V805-000330	BOLT, TORX 5	10
P022-037670	STOPPER, ROPE	18	V471-000741	PIPE	4	V806-000020	BOLT, TORX 6	24
P022-042450	SPRING DAMPER	18	V471-001301	PIPE	14	V806-000050	BOLT, TORX 6	16
P022-042460	SPRING SPIRAL	18	V471-002171	PIPE	14	V806-000100	BOLT, TORX 6	22
P022-042470	ROPE STARTER	18	V471-003161	PIPE	18	V835-000000	BOLT, TORX 5	2
P022-045770	GUIDE, ROPE	18	V475-007540	TUBE	6	V835-000000	BOLT, TORX 5	4
P022-050500	CASE,STARTER	18	V475-007550	TUBE	6	V835-000010	BOLT, TORX 5	10

NUMERICAL PARTS INDEX

Part No	Part description	Page
V835-000030	BOLT, TORX 5	18
V855-000000	BOLT, TORX 5	10
X047-001180	CUTTER,ASM LINE	28
X047-001180	CUTTER,ASM LINE	30
X503-013650	LABEL,MODEL	2
X524-001901	LABEL	2
X547-002860	LABEL,ECHO	2
X602-000020	TOOL,WRENCH	28
X605-000170	TOOL,L WRENCH	28
X606-000080	TOOL,BAR	28
X698-000140	TOOL,CASE	20