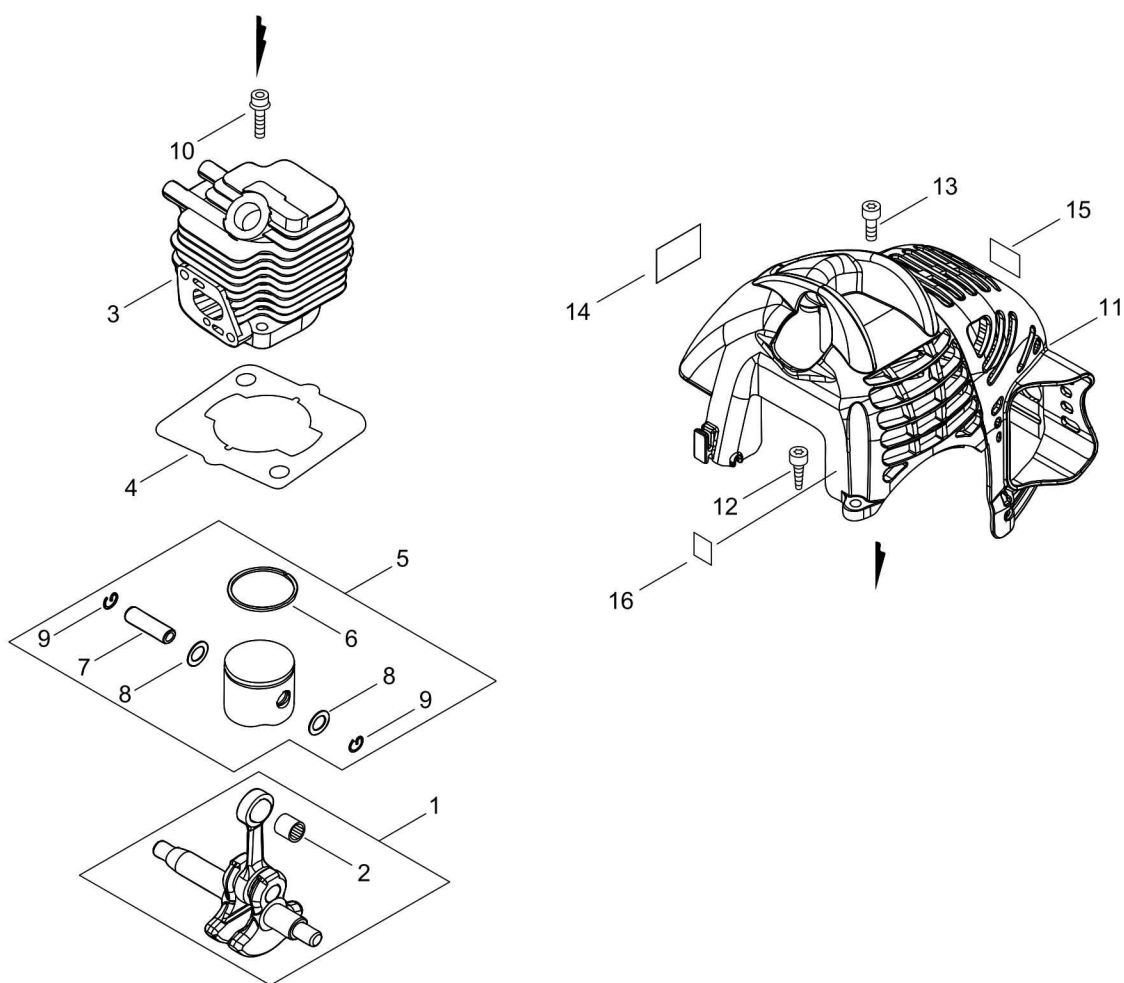


CYLINDER, PISTON, CRANKSHAFT



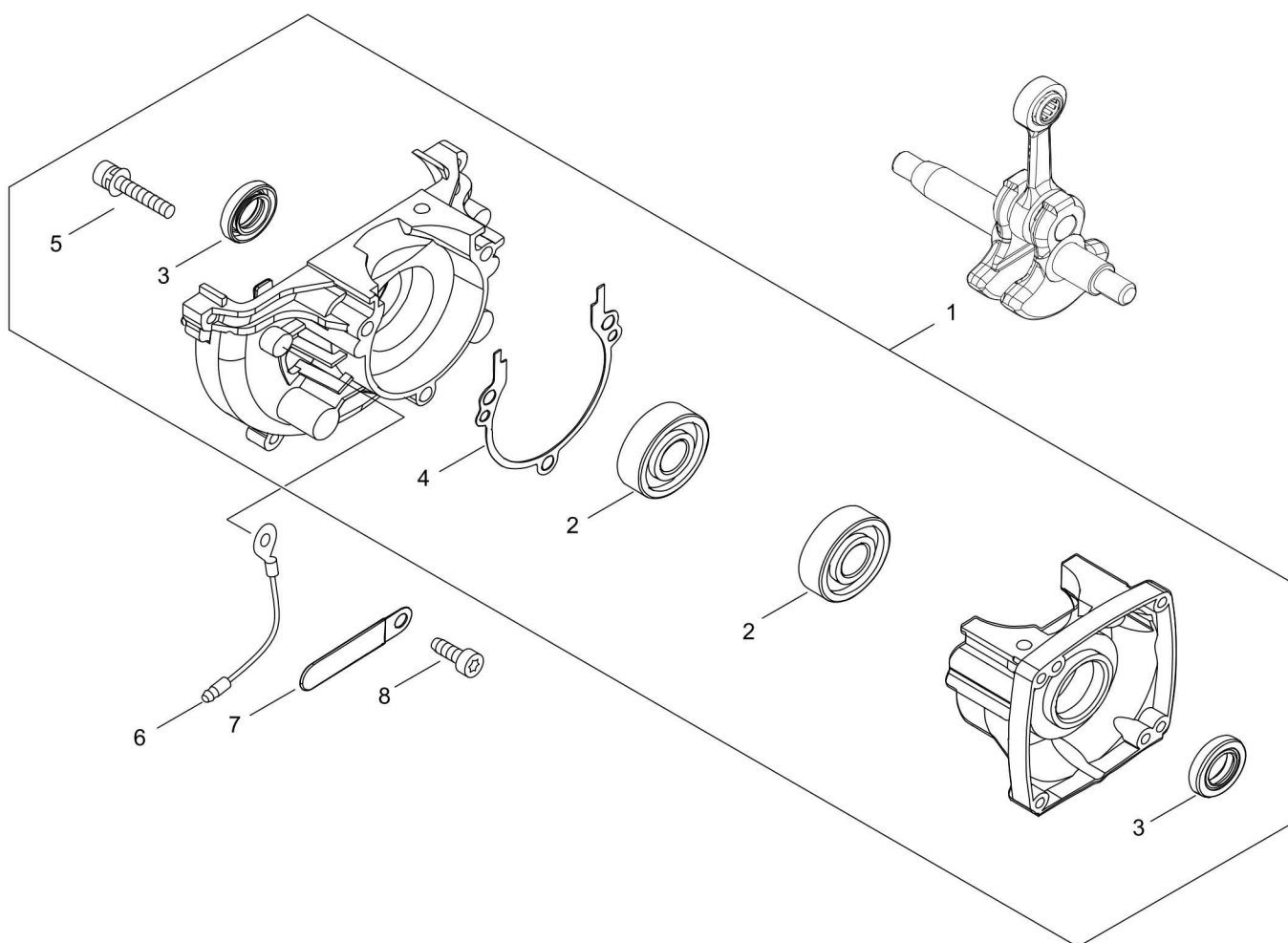
CYLINDER, PISTON, CRANKSHAFT

Key No.	LV (+)	Parts Number	Parts Description	Qty	Standard	Class
1		A011-001410	CRANKSHAFT,ASY	1		D
2	+	V553-000060	BEARING,NEEDLE 8	1	HK0810FMV4	B
3		A130-002100	CYLINDER	1		D
4		101010-44332	GASKET, CYL. BASE	1		B
5		P021-007712	PISTON KIT	1		C
6	+	A101-000090	RING,PISTON	1		B
7	+	100013-11520	PIN, PISTON	1		D
8	+	100014-11520	SPACER, PISTON PIN	2		C
9	+	100015-04630	CIRCLIP, PISTON PIN	2		C
10		900162-05022	BOLT HSH	2	5*22	
11		A160-001090	COVER,CYLINDER	1		C
12		V805-000000	BOLT, TORX 5	1	TT-5*16 DG 10.9	C
13		V805-000150	BOLT, TORX 5	1	TB-5*16 10.9	C
14		X548-000330	LABEL,ECHO	1	ECHO+SRM-237TES	D
15		X505-007710	LABEL,CAUTION	1		D
16		X524-001901	LABEL	1		D

Class : Consumable class

A:Fast moving parts B:Semi-fast moving parts C:Slow moving parts D:Order only as needed

CRANKCASE



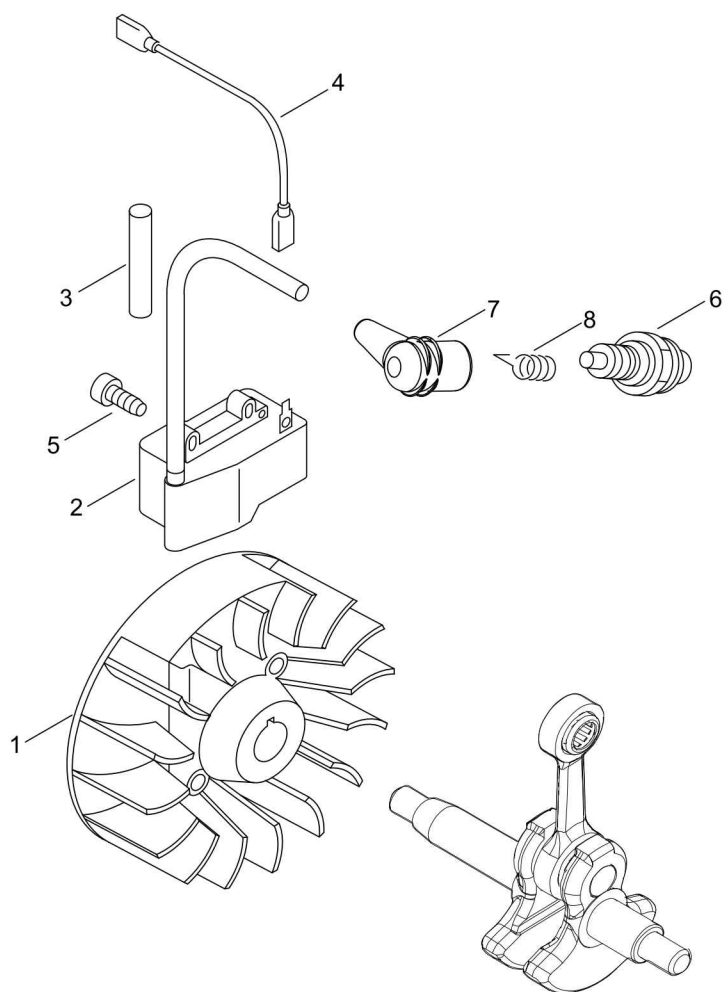
CRANKCASE

Key No.	LV (+)	Parts Number	Parts Description	Qty	Standard	Class
1		P100-001870	CRANKCASE SET	1		
2	+	94035-36201	BEARING, BALL	2	6201	
3	+	100212-42031	OILSEAL	2	ISCD 12*22*4.5	C
4	+	100242-42030	GASKET, CRANKCASE	1		B
5	+	900162-05028	BOLT HSH	3	5*28	
6		156635-43130	LEAD, GROUND	1		C
7		159116-21231	CLAMP	1		C
8		V805-000130	BOLT, TORX 5	1	TB-5*10 10.9	C

Class : Consumable class

A:Fast moving parts B:Semi-fast moving parts C:Slow moving parts D:Order only as needed

MAGNETO



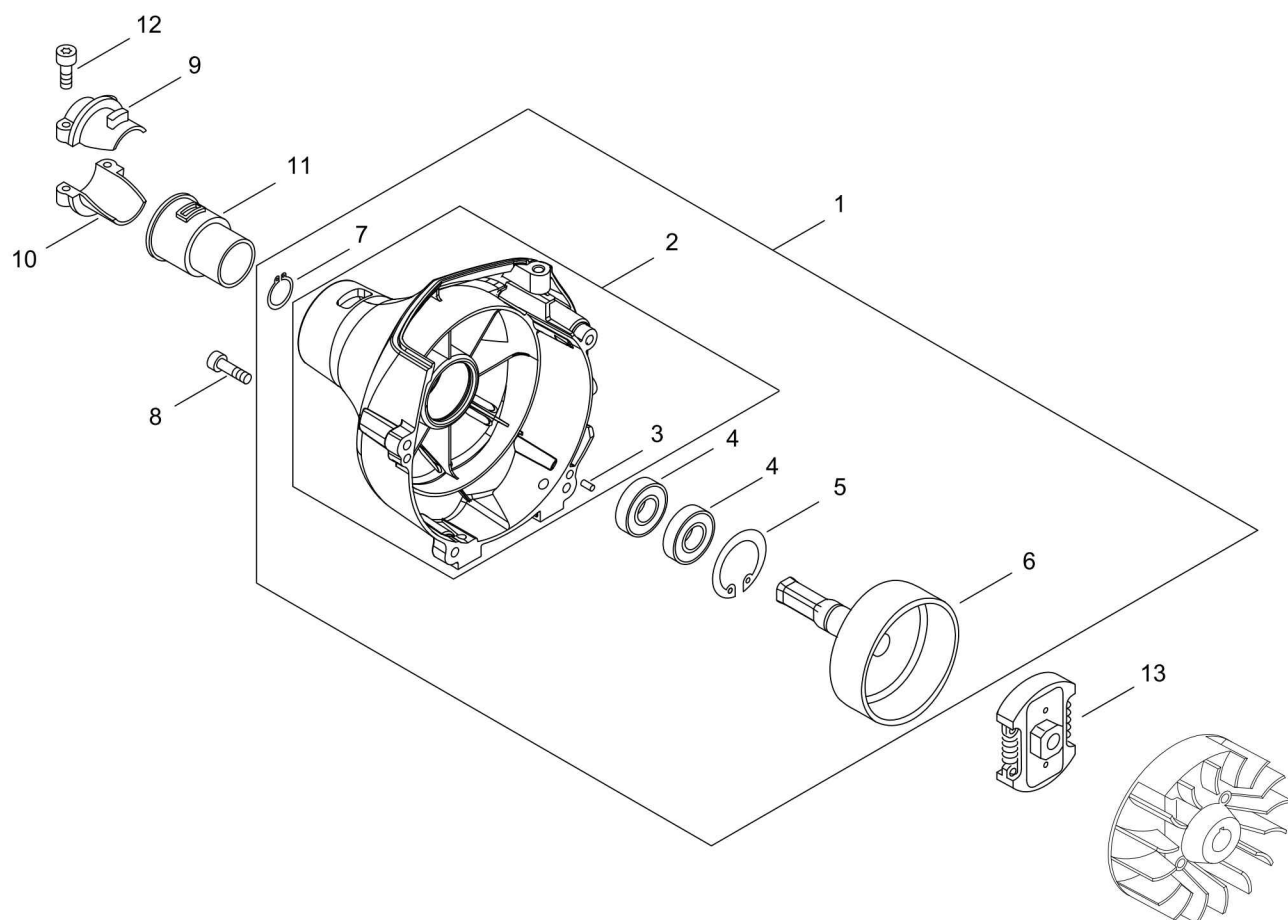
MAGNETO

Key No.	LV (+)	Parts Number	Parts Description	Qty	Standard	Class
1		A409-000160	ROTOR,MAGNETO	1		C
2		A411-000131	COIL,IGNITION	1	ID#C9148 GT/PE	C
3		V475-007200	TUBE	1	7*L55	C
4		V485-001120	LEAD	1	L210 #187 CB104	C
5		V804-000070	BOLT, TORX 4	2	TB-4*20 12.9	C
6		A425-000000	SPARKPLUG	1	BPMR8Y	A
7		A427-000013	CAP,SPARK PLUG	1		C
8		A426-000010	TERMINAL,SPARKPLUG	1		C

Class : Consumable class

A:Fast moving parts B:Semi-fast moving parts C:Slow moving parts D:Order only as needed

CLUTCH



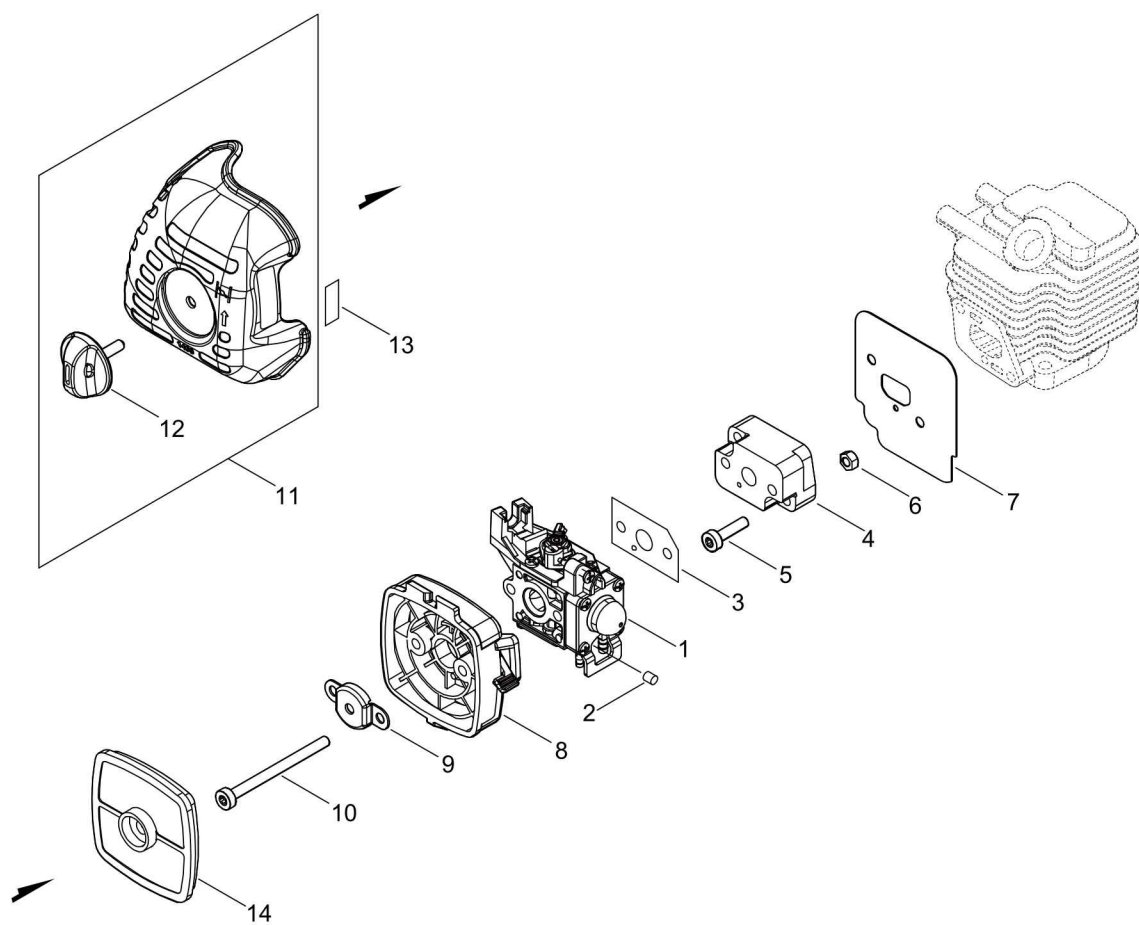
CLUTCH

Key No.	LV (+)	Parts Number	Parts Description	Qty	Standard	Class
1		P021-016171	COVER,FAN ASSY	1		
2	+	P100-012420	COVER,FAN	1		C
3	++	900330-40080	ROLLER	2	4*8	
4	+	900807-06001	BEARING, BALL	2	6001LB	
5	+	900702-00028	RETAINING RING	1	CR-28	
6	+	A556-000530	DRUM, CLUTCH	1		B
7	+	900701-00012	RETAINING RING	1	CS-12	
8		V804-000060	BOLT, TORX 4	4	TB-4*16 10.9	C
9		610922-27432	HOLDER	1		C
10		610923-55230	HOLDER	1		C
11		610910-55230	CUSHION	1		B
12		V805-000160	BOLT, TORX 5	2	TB-5*20 10.9	C
13		A056-000820	CLUTCH ASY	1	22 C0.5 D50 RESI	B

Class : Consumable class

A:Fast moving parts B:Semi-fast moving parts C:Slow moving parts D:Order only as needed

AIR CLEANER, CARBURETOR



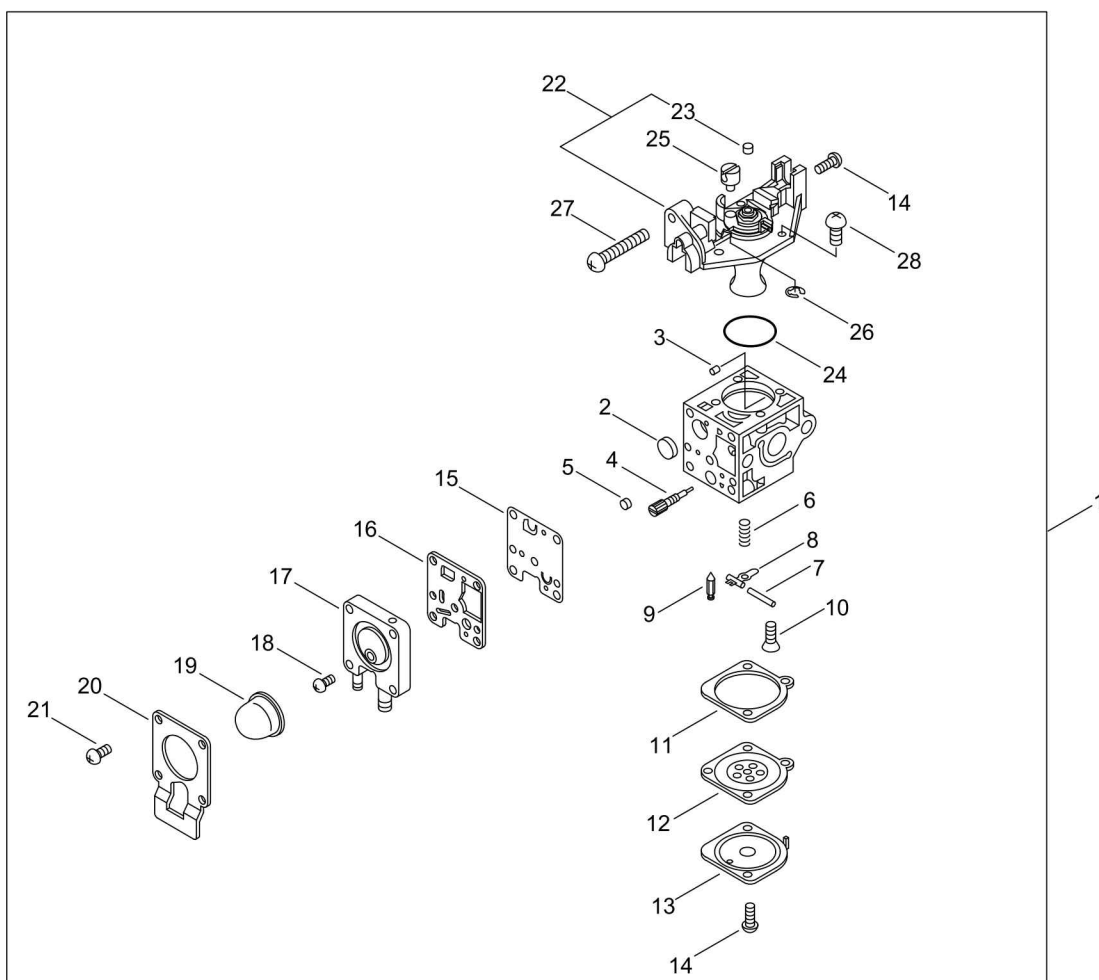
AIR CLEANER, CARBURETOR

Key No.	LV (+)	Parts Number	Parts Description	Qty	Standard	Class
1		A021-005101	CARBURETOR,DIAPHRAGM	1	RB-K113 Z011/07D	B
2		A259-000010	CAP,LIMITER	1		B
3		V103-001390	GASKET,INTAKE	1		A
4		130017-44331	INSULATOR	1		C
5		V805-000160	BOLT, TORX 5	2	TB-5*20 10.9	C
6		900500-00005	NUT	2	5	
7		V103-001360	GASKET,INTAKE	1		A
8		P021-015571	CASE, AIR CLEANER	1		
9		129011-52730	PLATE, PREVENT	1		C
10		V805-000100	BOLT, TORX 5	2	TB-5*65 10.9	C
11		P100-002260	LID,CLEANER ASY	1		
12	+	V299-000250	KNOB,FASTENER	1		C
13		890332-52730	LABEL, CHOKE	1		D
14		A226-001410	ELEMENT,AIR FILTER	1		A

Class : Consumable class

A:Fast moving parts B:Semi-fast moving parts C:Slow moving parts D:Order only as needed

CARBURETOR



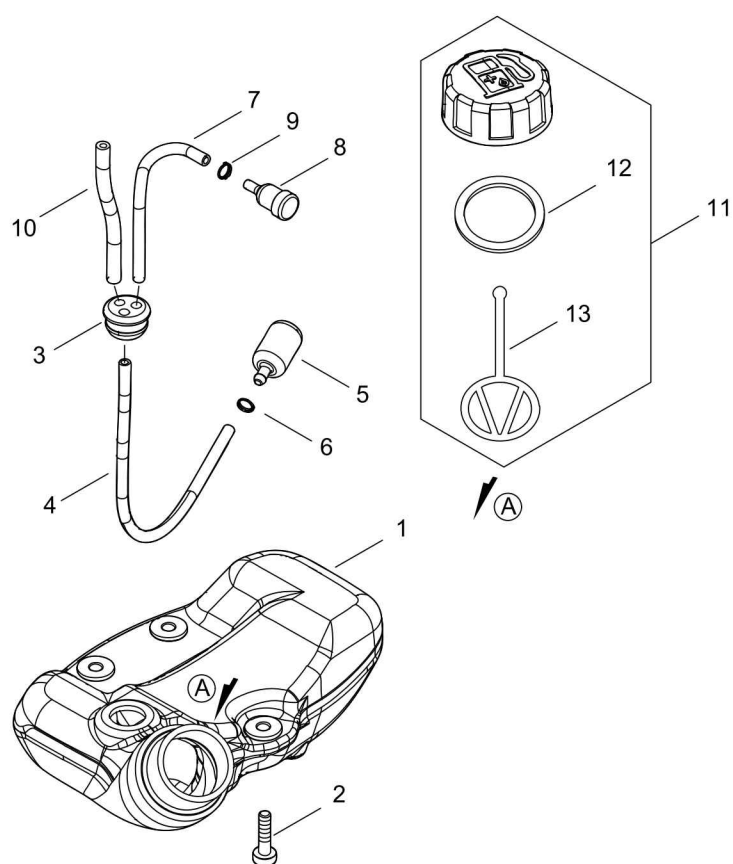
CARBURETOR

Key No.	LV (+)	Parts Number	Parts Description	Qty	Standard	Class
1		A021-005101	CARBURETOR,DIAPHRAGM	1	RB-K113 Z011/07D	B
2	+	P005-000010	STRAINER	1		
3	+	P005-001000	ROLLER, GUIDE	1		D
4	+	P005-001260	SCREW,MAINN MIXTURE	1		
5	+	P005-001250	RETAINER,PLUG BALL	1		
6	+	P005-002430	SPRING, MET. LEVER	1		D
7	+	125338-13930	PIN, METERING ARM	1		D
8	+	125323-08260	ARM, VALVE	1		
9	+	125337-08260	VALVE, INLET NEEDLE	1		D
10	+	125339-42030	SCREW	1		B
11	+	P005-000200	GASKET, METERING	1		A
12	+	P005-003760	DIAPHRAGM ,METERING	1		
13	+	125342-52130	COVER, DIAPHRAGM	1		D
14	+	125344-52130	SCREW	3		D
15	+	P005-000510	DIAPHRAGM, PUMP	1		A
16	+	P005-000520	GASKET, PUMP	1		A
17	+	P005-004240	BASE, ASY PRIMER	1		
18	+	P005-000270	SCREW	1		
19	+	P005-003110	PUMP, PRIMER	1		
20	+	P005-000250	RETAINER	1		
21	+	P005-001900	SCREW	4		D
22	+	P005-002460	COVER ASY, ROTOR	1		D
23	++	P005-001270	PLUG, AJUST SCREW	1		
24	+	P005-004260	RING,O	1		
25	+	P005-001240	POST	1		
26	+	P005-000190	E-RING	1		D
27	+	P005-000100	SCREW,THROTTLEADJUST	1		
28	+	125344-13931	SCREW	3		D

Class : Consumable class

A:Fast moving parts B:Semi-fast moving parts C:Slow moving parts D:Order only as needed

FUEL TANK



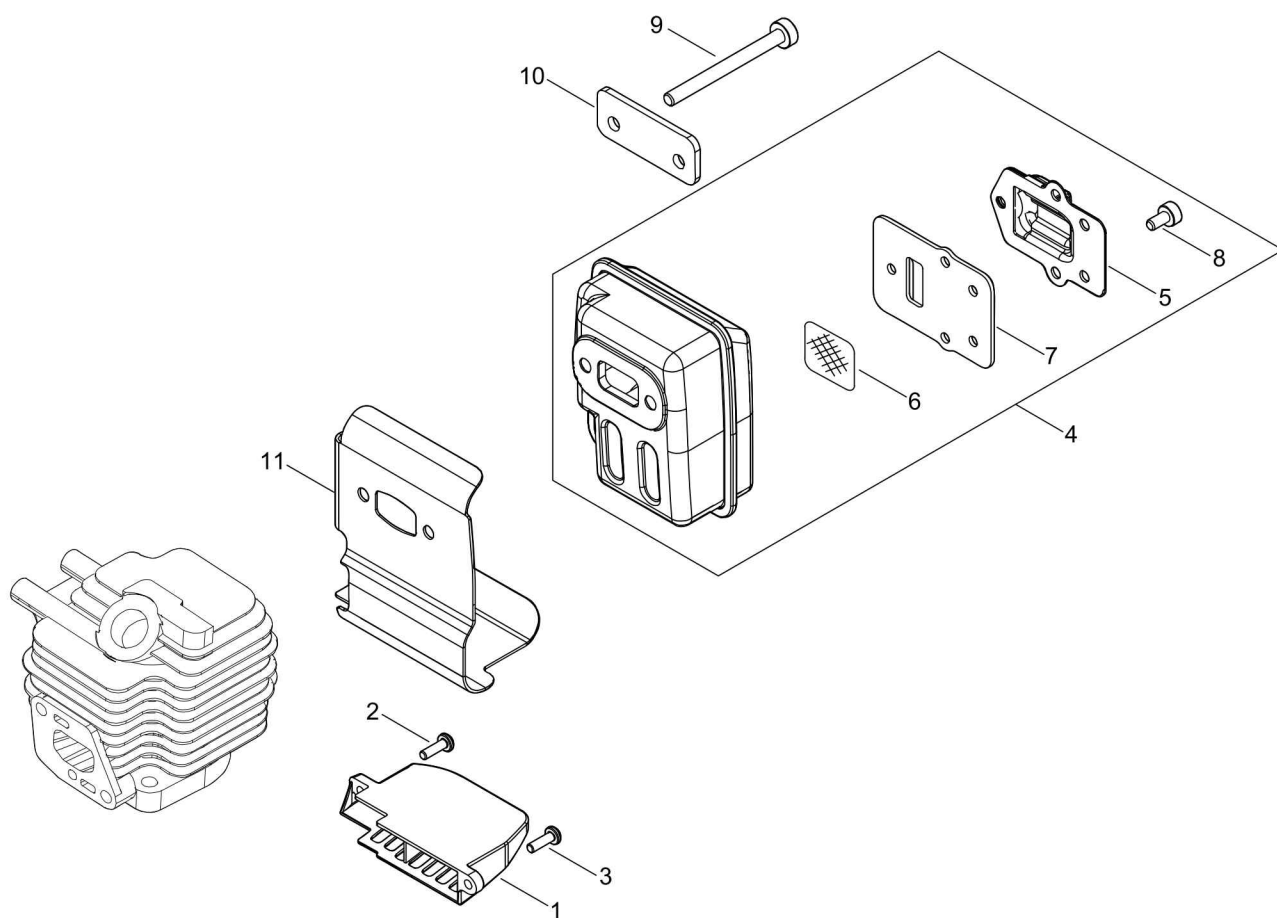
FUEL TANK

Key No.	LV (+)	Parts Number	Parts Description	Qty	Standard	Class
1		A350-000801	TANK, FUEL	1		C
2		V805-000160	BOLT, TORX 5	3	TB-5*20 10.9	C
3		132115-46730	GROMMET, FUEL	1		C
4		V471-001231	PIPE	1	3*5*210	C
5		A369-000480	STRAINER, FUEL	1	125-959	A
6		V490-001240	CLIP	1		C
7		V471-001211	PIPE	1	3*5*90	C
8		A356-000031	VALVE,CHECK	1		B
9		V490-001240	CLIP	1		C
10		132012-56030	PIPE	1	3*6*80 YL	C
11		P021-012211	CAP,FUEL ASY	1		C
12	+	V107-000190	GASKET,FUEL CAP	1	37.9* T 2.2	A
13	+	A365-000060	CONNECTOR,CAP	1	L=123	B

Class : Consumable class

A:Fast moving parts B:Semi-fast moving parts C:Slow moving parts D:Order only as needed

MUFFLER



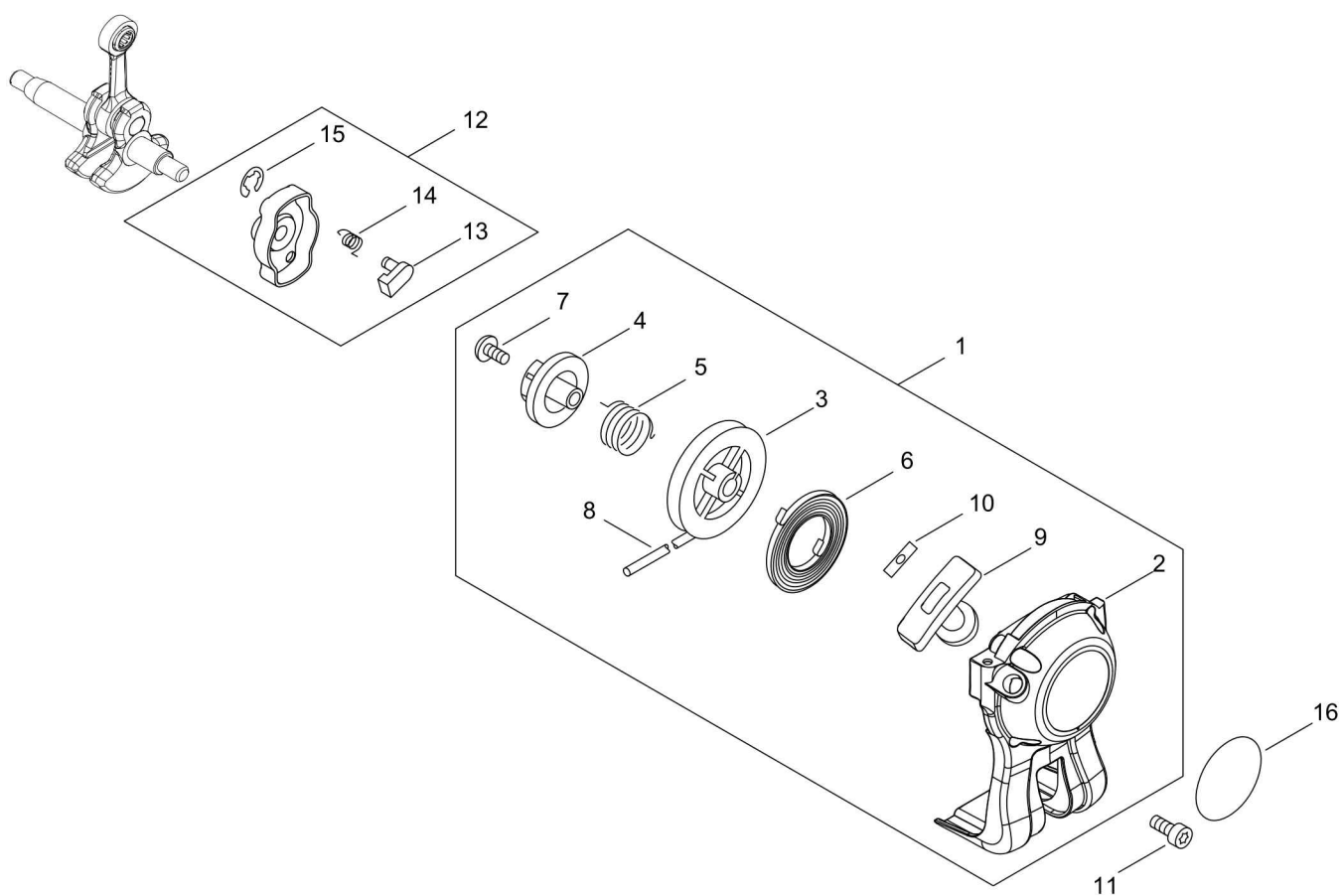
MUFFLER

Key No.	LV (+)	Parts Number	Parts Description	Qty	Standard	Class
1		A320-000480	COVER,MUFFLER	1		C
2		V805-000000	BOLT, TORX 5	1	TT-5*16 DG 10.9	C
3		V805-000150	BOLT, TORX 5	1	TB-5*16 10.9	C
4		P021-047652	MUFFLER ASY	1		
5	+	A313-000600	GUIDE,EXH	1		C
6	+	145862-40630	SCREEN, MUFFLER	1		B
7	+	V104-001761	GASKET,EXHAUST	1		A
8	+	V804-000030	BOLT, TORX 4	5	TB-4*8 10.9	C
9		V805-000190	BOLT, TORX 5	2	TB-5*55 12.9	C
10		V150-000371	PLATE,EYE	1		C
11		V104-000850	GASKET,EXHAUST	1	T1.0	A

Class : Consumable class

A:Fast moving parts B:Semi-fast moving parts C:Slow moving parts D:Order only as needed

RECOIL STARTER, PULLY



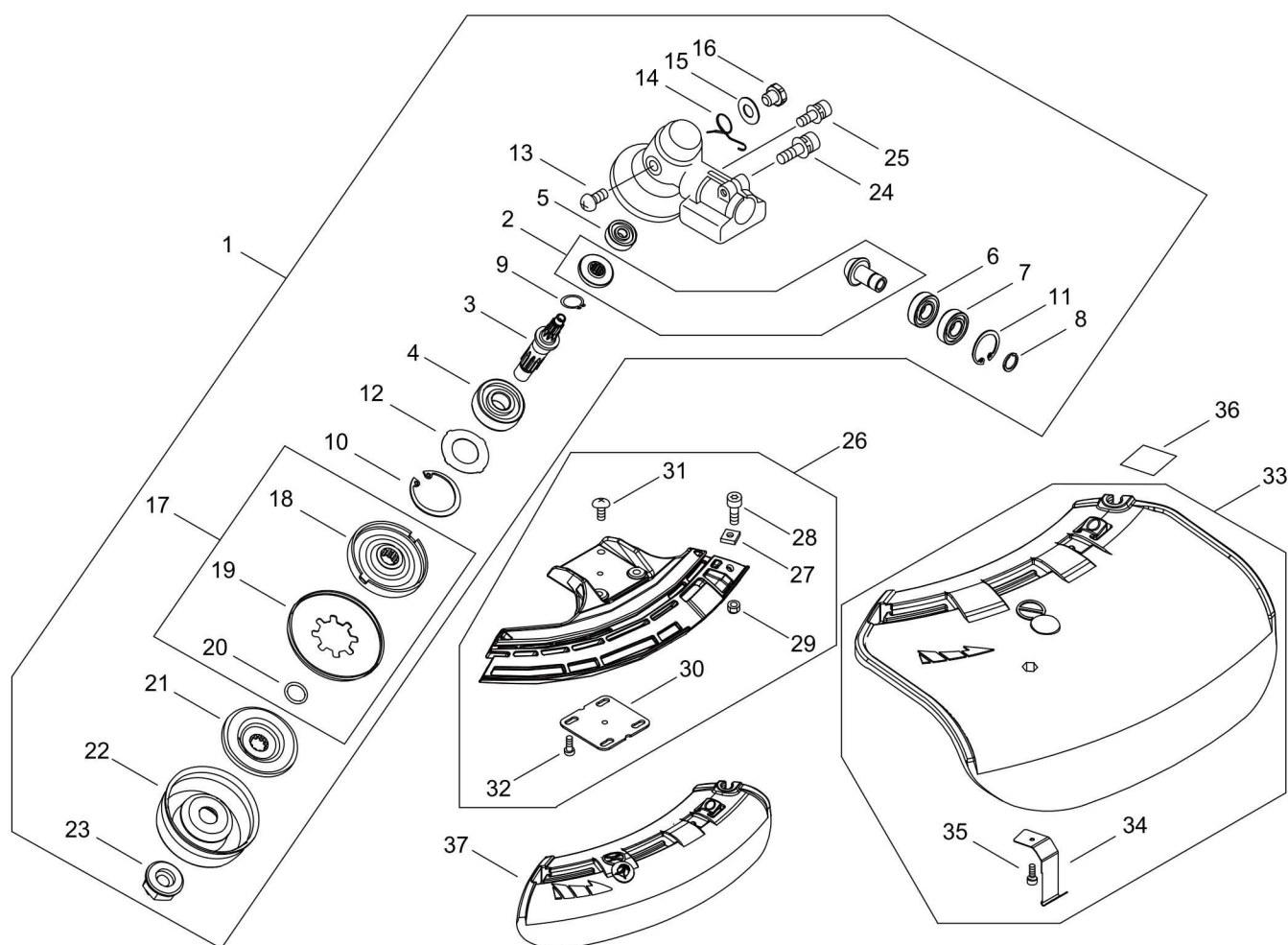
RECOIL STARTER, PULLY

Key No.	LV (+)	Parts Number	Parts Description	Qty	Standard	Class
1		A051-001312	STARTER,RECOIL ASY	1		B
2	+	P022-036970	CASE,STARTER	1		
3	+	P022-034040	DRUM, STARTER	1		C
4	+	P022-034030	PLATE, CAM	1		C
5	+	P022-008270	SPRING,DAMPER	1		C
6	+	P022-019680	SPRING, SPIRAL	1		C
7	+	177236-61830	SCREW	1		C
8	+	P022-019990	ROPE, STARTER	1		
9	+	177228-27030	GRIP, STARTER	1		C
10	+	P022-037670	STOPPER, ROPE	1		C
11		V804-000060	BOLT, TORX 4	4	TB-4*16 10.9	C
12		A052-000180	PULLEY,ASM STARTER	1		C
13	+	P022-006850	PAWL, STARTER	2		C
14	+	P022-006510	SPRING, RETURN	2		C
15	+	P022-002100	E-RING	2	4	C
16		X502-000890	LABEL,ECHO	1		D

Class : Consumable class

A:Fast moving parts B:Semi-fast moving parts C:Slow moving parts D:Order only as needed

GEAR CASE, SHIELD



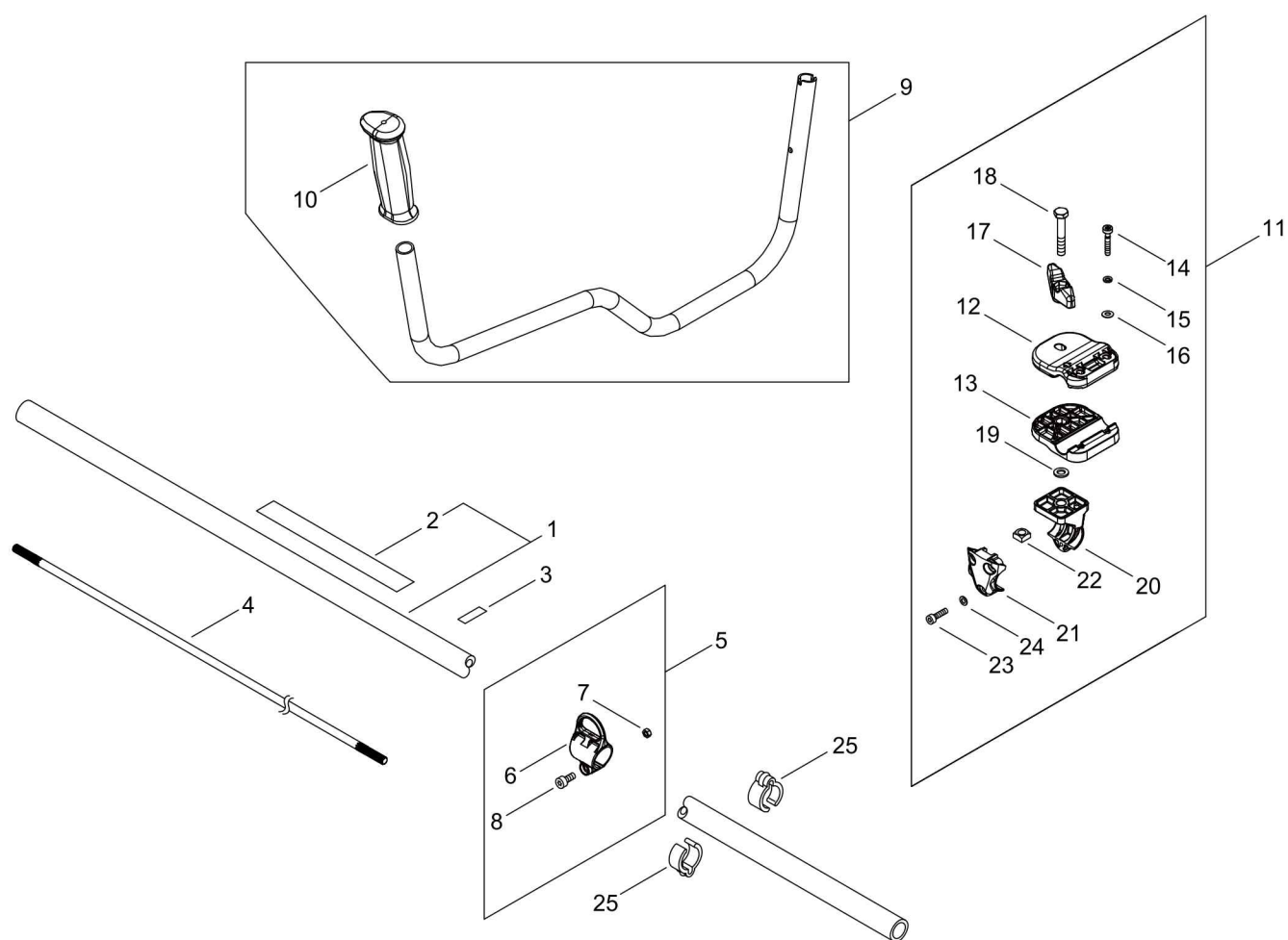
GEAR CASE, SHIELD

Key No.	LV (+)	Parts Number	Parts Description	Qty	Standard	Class
1		P021-049070	GEAR CASE ASY	1		
2	+	V000-000230	GEAR SET, BEVEL	1	EU,1.62:1 SP6	D
3	+	C534-001080	SHAFT, GEAR	1		D
4	+	900812-06201	BEARING, BALL	1	6201LLU(DDU)	
5	+	94110-00629	BEARING, BALL	1	629	
6	+	94110-00609	BEARING, BALL	1	609	
7	+	94111-00609	BEARING, BALL	1	609Z	
8	+	900701-00009	RETAINING RING	1	CS-9	
9	+	900706-00012	RETAINING RING	1	WR-12	
10	+	900702-00032	RETAINING RING	1	CR-32	
11	+	900702-00025	RETAINING RING	1	CR-25	
12	+	V340-000180	WASHER	1		C
13	+	900220-04006	SCREW	1	4*6	
14	+	V452-001310	SPRING,TORSION	1		B
15	+	900603-50008	WASHER	1	8.5*18*0.8T	C
16	+	610434-50031	BOLT 8* 8	1	M8*8	C
17	+	610313-52932	FIXTURE,BLADE	1		C
18	++	610313-52132	FIXTURE,BLADE	1		C
19	++	610352-56830	PLATE, CUP	1		C
20	++	900720-00012	O-RING	1	P-12	
21	+	610314-52130	PLATE, ADAPTER (L)	1		C
22	+	699229-56830	PLATE, COVER	1		C
23	+	610320-52130	NUT 10	1		C
24	+	V806-000020	BOLT, TORX 6	1	TB-6*25 10.9	C
25	+	V805-000140	BOLT, TORX 5	1	TB-5*12 10.9	C
26		P100-010520	SHIELD ASY	1		B
27	+	900565-00005	NUT, SQUARE	1	5	
28	+	V805-000170	BOLT, TORX 5	1	TB-5*25 10.9	C
29	+	900562-00005	NUT, LOCK	1	5	
30	+	C552-000200	PLATE, SHIELD	1		D
31	+	91316-04010	SCREW	1	4*10	C
32	+	V805-000260	BOLT, TORX 5	4	TB5*25 10.9	C
33		P021-042900	SHIELD ASY, BLADE	1		
34	+	C554-000030	KNIFE, CORD	1	17INCH	B
35	+	V805-000150	BOLT, TORX 5	1	TB-5*16 10.9	C
36		X530-000580	LABEL,EYE CATCHER	1	HIGH TORQUE	D
37		C550-000541	SHIELD, BLADE	1		B

Class : Consumable class

A:Fast moving parts B:Semi-fast moving parts C:Slow moving parts D:Order only as needed

MAIN PIPE, HANDLE



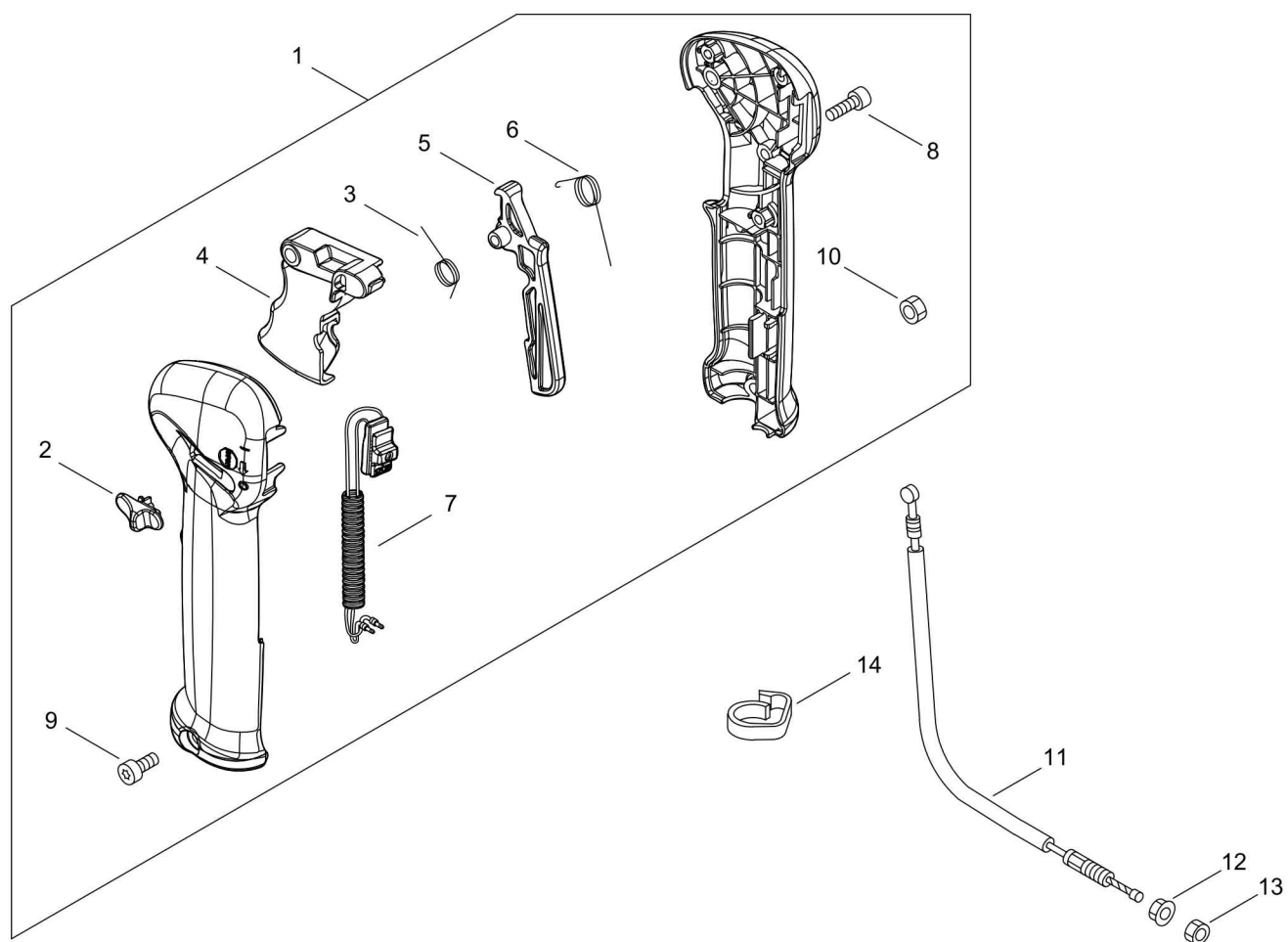
MAIN PIPE, HANDLE

Key No.	LV (+)	Parts Number	Parts Description	Qty	Standard	Class
1		P021-043710	MAIN PIPE ASY	1	SRM-2305/U(26)	
2	+	890617-43130	LABEL,CAUTION	1		D
3		890152-04930	LABEL, CAUTION	1		D
4		610018-27830	SHAFT, DRIVE	1		C
5		P100-010550	HOOK ASY	1		D
6	+	C670-000240	HOOK,LIFTING	1		C
7	+	V805-000320	BOLT, TORX 5	1	TB-5*16 10.9	C
8	+	900500-00005	NUT	1	5	
9		P100-010560	HANDLE ASY	1		C
10	+	C403-000031	GRIP,HANDLE	1		C
11		P100-010570	FIXTURE HANDLE SET	1		D
12	+	C423-001090	FIXTURE, HANDLE	1	19	D
13	+	C423-001100	FIXTURE, HANDLE	1	19	D
14	+	V203-002500	BOLT,5	2	TB-5*30	C
15	+	900605-00005	WASHER, SPRING	2	5	
16	+	900620-00005	WASHER	2	5	
17	+	V299-000680	KNOB,FASTENER	1	M8	C
18	+	V205-001400	BOLT,8	1	M8*1.25*L50	C
19	+	900720-20007	O-RING	1	P-7	
20	+	C423-001110	FIXTURE, HANDLE	1		D
21	+	C423-001120	FIXTURE, HANDLE	1		D
22	+	900565-50008	NUT, SQUARE	1	8	
23	+	V805-000170	BOLT, TORX 5	3	TB-5*25 10.9	C
24	+	900600-00005	WASHER	1	5	
25		224924-52130	CLIP	2	25MM	C

Class : Consumable class

A:Fast moving parts B:Semi-fast moving parts C:Slow moving parts D:Order only as needed

THROTTLE



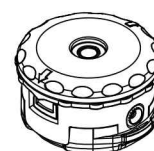
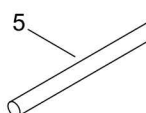
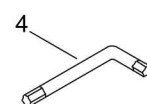
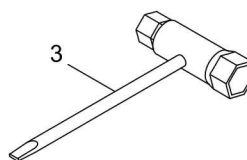
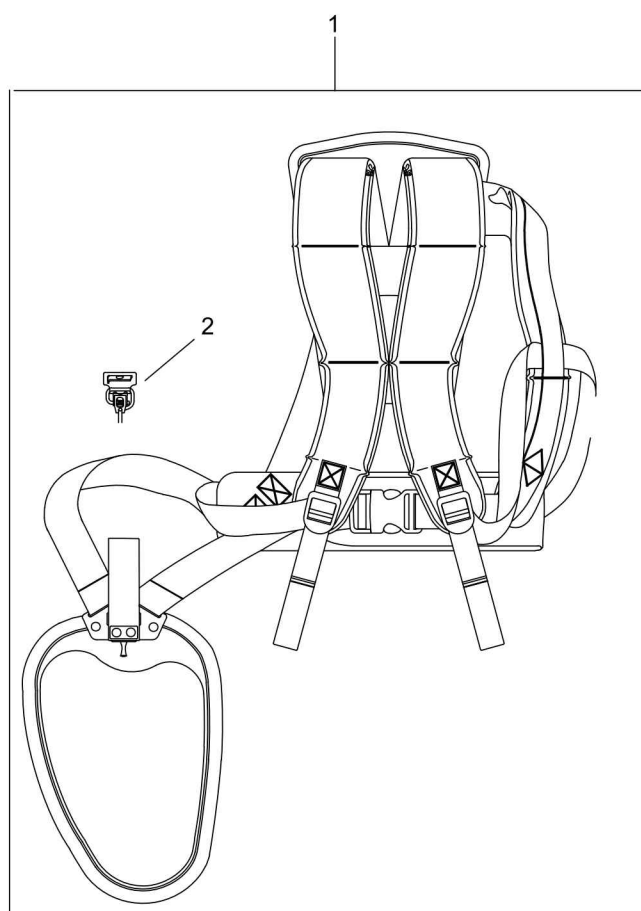
THROTTLE

Key No.	LV (+)	Parts Number	Parts Description	Qty	Standard	Class
1		P100-007150	THROTTLE ASY	1		
2	+	C463-000020	KNOB, LATCH	1		C
3	+	V452-000360	SPRING,TORSION	1		B
4	+	C450-000270	CONTROL, THROTTLE	1		C
5	+	C460-000111	LOCKOUT, THROTTLE	1	70MM	C
6	+	V452-000350	SPRING,TORSION	1		B
7	+	P021-016050	SWITCH, IGNITION	1		
8	+	V804-000010	BOLT, TORX 4	3	TT-4*16 DG 10.9	C
9	+	V805-000050	BOLT, TORX 5	1	TB-5*30 10.9	C
10	+	900500-00005	NUT	1	5	
11		V430-002330	CABLE,BOWDEN	1	960+90	B
12		900518-00006	NUT, FLANGE	1	6	
13		900502-00006	NUT	1	6	
14		159112-09961	CLIP	1		C

Class : Consumable class

A:Fast moving parts B:Semi-fast moving parts C:Slow moving parts D:Order only as needed

ACCESSORIES



SF400/E1

ACCESSORIES

Key No.	LV (+)	Parts Number	Parts Description	Qty	Standard	Class
1		C062-000511	HARNESS, SHOULDER	1		B
2	+	P021-042910	HOOK ASSY	1		
3		X602-000020	TOOL,WRENCH	1	17*19 L200	D
4		X605-000170	TOOL,L WRENCH	1		D
5		X606-000080	TOOL,BAR	1	5*120	D

Class : Consumable class

A:Fast moving parts B:Semi-fast moving parts C:Slow moving parts D:Order only as needed