

SRM-420TES/U

Serial Number

U65440000001-U65440999999

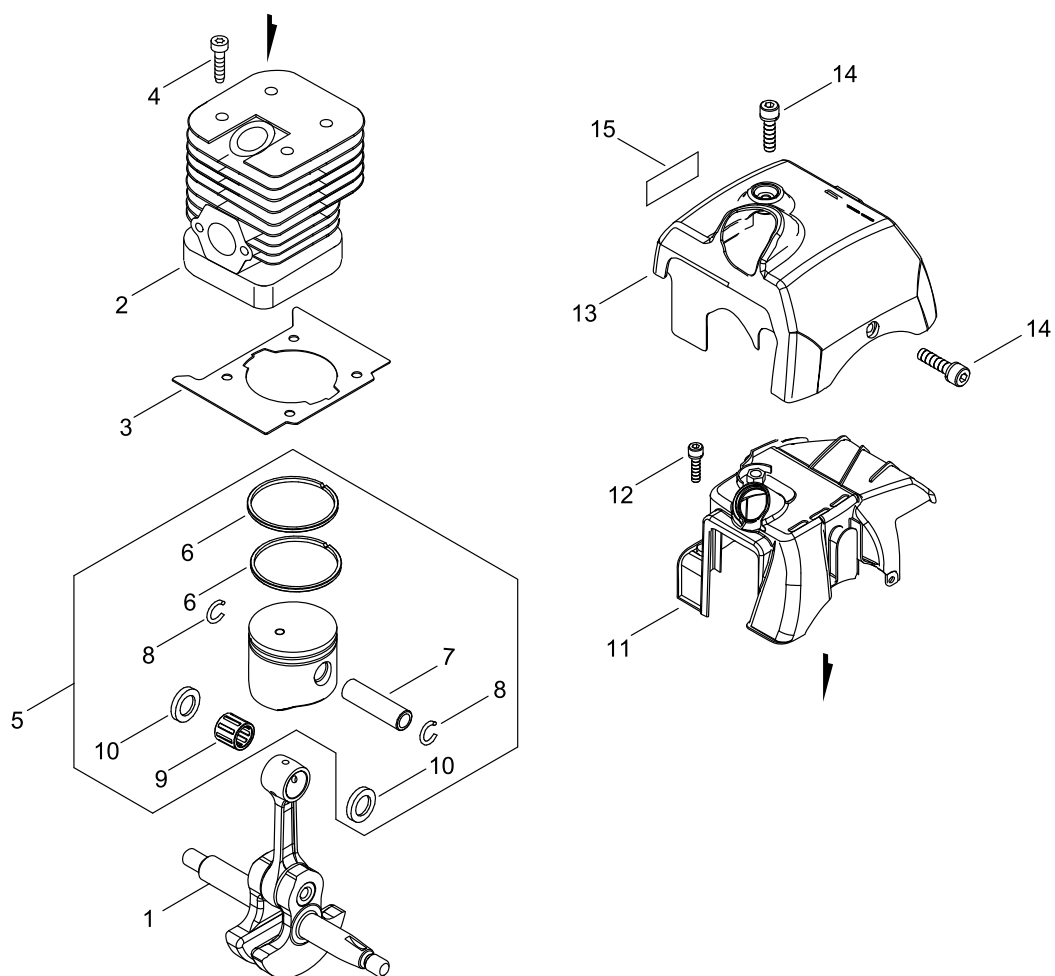
Last updated date

20/Jan/2023

TABLE OF CONTENTS

CYLINDER, PISTON, CRANKSHAFT	1
CRANKCASE	3
MAGNETO.....	5
CLUTCH.....	7
AIR CLEANER, CARBURETOR.....	9
CARBURETOR.....	11
FUEL TANK	13
MUFFLER.....	15
RECOIL STARTER.....	17
GEAR CASE, SHIELD	19
MAIN PIPE, HANDLE.....	21
THROTTLE.....	23
ACCESSORIES	25
HARNESS.....	27
NYLON LINE CUTTER	29

CYLINDER, PISTON, CRANKSHAFT



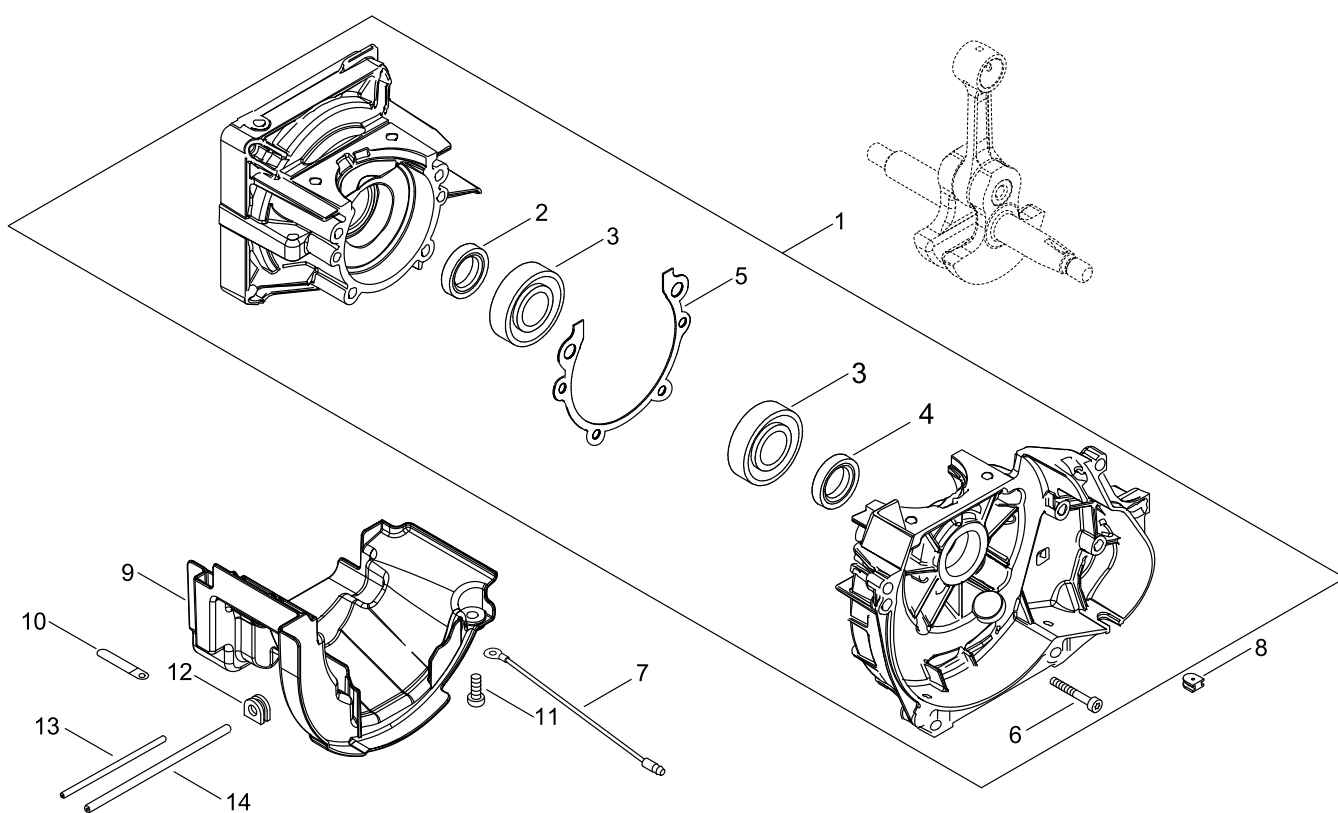
CYLINDER, PISTON, CRANKSHAFT

Key No.	LV (+)	Parts Number	Parts Description	Qty	Standard	Class
1		A011-001230	CRANKSHAFT,ASY	1		D
2		A130-002070	CYLINDER	1		D
3		V100-000760	GASKET,CYL	1		B
4		V805-000210	BOLT, TORX 5	4	TB-5*20 12.9	C
5		P021-041390	PISTON KIT	1		
6	+	A101-000160	RING, PISTON	2	40*B1.5*T1.8	B
7	+	V608-000000	PIN,ENG 10	1		D
8	+	V580-000010	RING,END	2	10	C
9	+	100012-19830	BEARING, NEEDLE	1		B
10	+	100014-17330	SPACER, PISTON PIN	2		C
11		A160-002620	COVER,CYLINDER	1		C
12		V835-000000	BOLT, TORX 5	1		C
13		A160-002632	COVER,CYLINDER	1	SRM-420ES OUTER	C
14		V835-000000	BOLT, TORX 5	2		C
15		X547-002380	LABEL,ECHO	1	ECHO+SRM-420TES	D

Class : Consumable class

A:Fast moving parts B:Semi-fast moving parts C:Slow moving parts D:Order only as needed

CRANKCASE



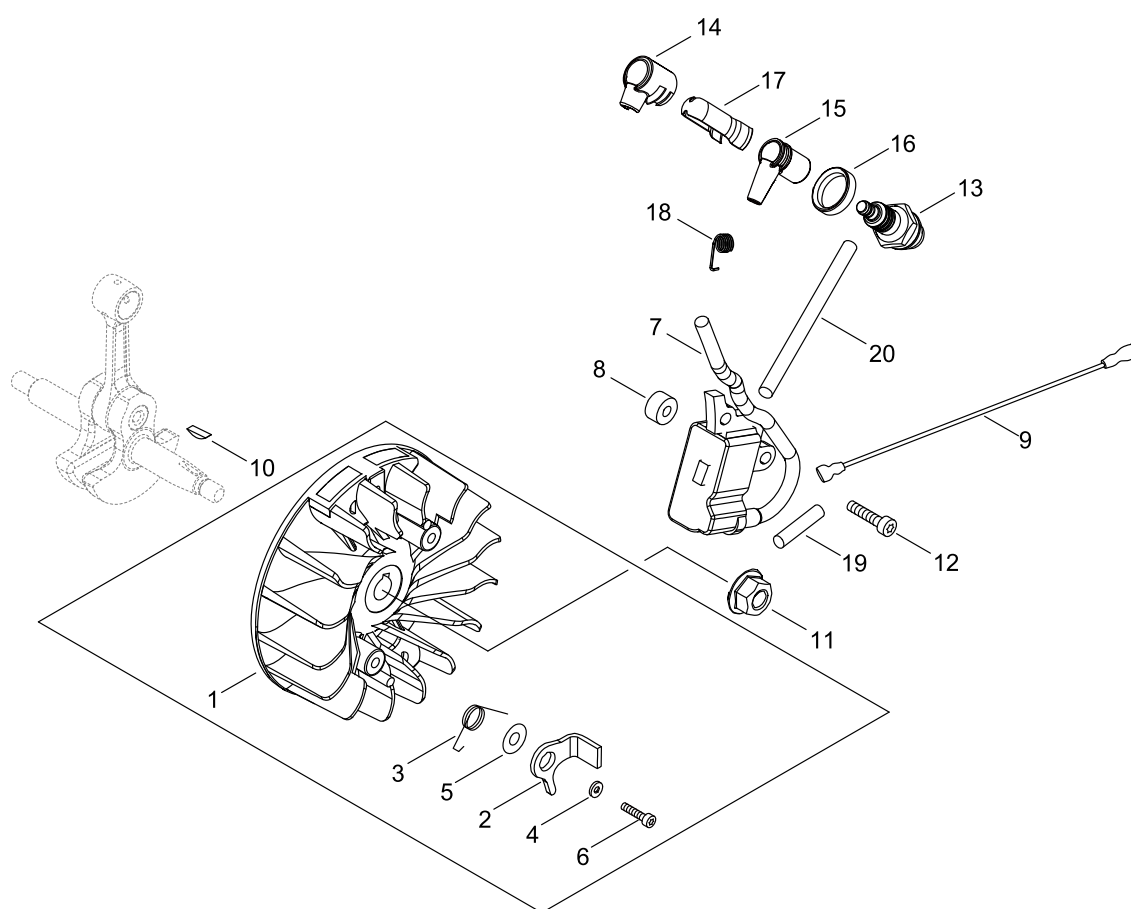
CRANKCASE

Key No.	LV (+)	Parts Number	Parts Description	Qty	Standard	Class
1		P100-002630	CRANKCASE SET	1		
2	+	V505-000020	SEAL,OIL 12	1	12*22*7	C
3	+	900888-36201	BEARING, BALL	2	6201	
4	+	100213-05530	OILSEAL	1	ISCD 12 22 7	C
5	+	V102-000250	GASKET,CRANKCASE	1		B
6	+	V805-000290	BOLT, TORX 5	4	TB-5*35 12.9	C
7		V485-002570	LEAD	1		C
8		156114-07320	GROMMET	1		C
9		A209-000740	PLATE, INSULATOR	1		C
10		159116-21231	CLAMP	1		C
11		V835-000000	BOLT, TORX 5	2		C
12		156110-04920	BUSHING	1		C
13		V471-004041	PIPE	1	3*6*165	C
14		V475-007610	TUBE	1	8*9*110	C

Class : Consumable class

A:Fast moving parts B:Semi-fast moving parts C:Slow moving parts D:Order only as needed

MAGNETO



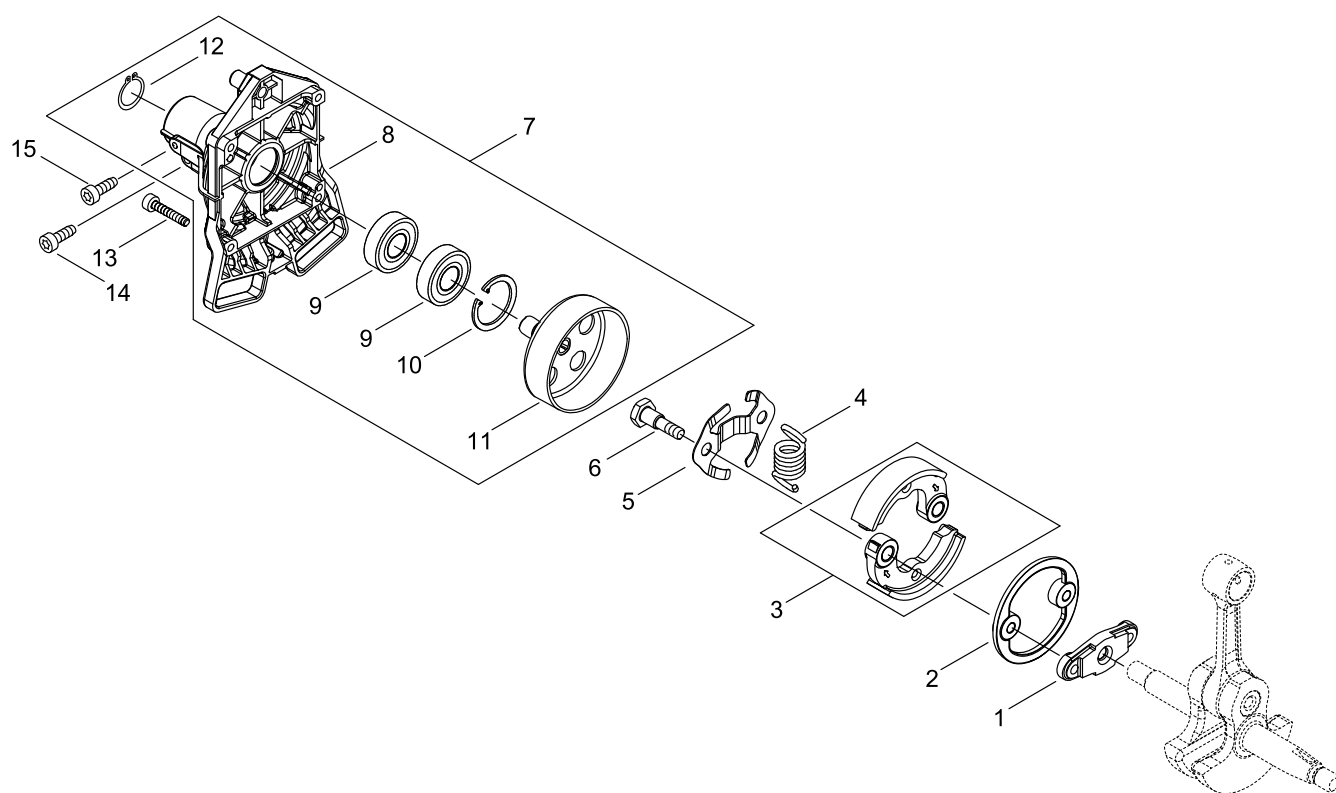
MAGNETO

Key No.	LV (+)	Parts Number	Parts Description	Qty	Standard	Class
1		P200-001380	ROTOR,MAGNETO KIT	1		C
2	+	A514-000280	PAWL	2		C
3	+	V452-001370	SPRING,TORSION	2		B
4	+	178070-10860	SPACER	2		C
5	+	131911-03460	WASHER	2		C
6	+	V805-000140	BOLT, TORX 5	2	TB-5*12 10.9	C
7		A411-001372	COIL, IGNITION	1	OPPAMA A10030	C
8		V353-000630	COLLAR,5	2		C
9		V485-002331	LEAD	1		C
10		100142-12330	KEY, WOODRUFF	1		C
11		92105-08000	NUT L, FLANGE	1	8	
12		V805-000150	BOLT, TORX 5	2	TB-5*16 10.9	C
13		A425-000000	SPARKPLUG	1	BPMR8Y	A
14		A427-000090	PLUG CAP	1		C
15		A429-000110	PLUG CAP COVER	1		C
16		V495-001440	COVER BAND	1		C
17		V151-000050	SHIELD	1		C
18		159011-03432	COIL, SPARK PLUG	1		C
19		V475-007540	TUBE	1		C
20		V475-007550	TUBE	1		C

Class : Consumable class

A:Fast moving parts B:Semi-fast moving parts C:Slow moving parts D:Order only as needed

CLUTCH



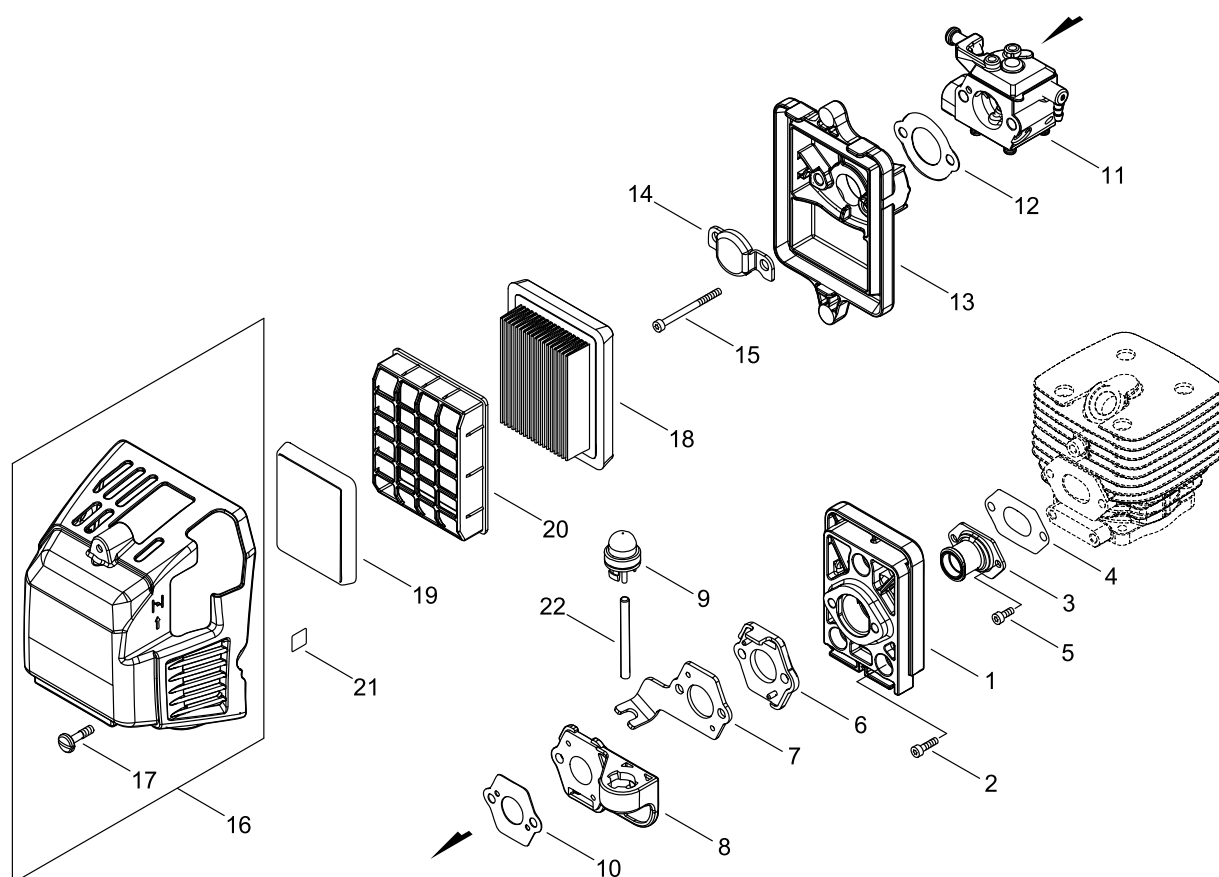
CLUTCH

Key No.	LV (+)	Parts Number	Parts Description	Qty	Standard	Class
1		A552-000390	HUB, CLUTCH	1		B
2		V376-001980	SPACER	1		C
3		P100-000080	CLUTCH SHOE SET	1		
4		A566-000230	SPRING, CLUTCH	1		B
5		V453-000230	SPRING, FLAT	1		C
6		A557-000190	SHAFT, CLUTCH	2		B
7		P100-006110	CASE, CLUTCH ASY	1		
8	+	A570-000291	CASE, CLUTCH	1		D
9	+	94018-46001	BEARING, BALL	2	6001LB	
10	+	900702-00028	RETAINING RING	1	CR-28	
11	+	A556-001540	DRUM, CLUTCH	1		B
12	+	900701-00012	RETAINING RING	1	CS-12	
13		V805-000170	BOLT, TORX 5	4	TB-5*25 10.9	C
14		V805-000160	BOLT, TORX 5	1	TB-5*20 10.9	C
15		V805-000130	BOLT, TORX 5	1	TB-5*10 10.9	C

Class : Consumable class

A:Fast moving parts B:Semi-fast moving parts C:Slow moving parts D:Order only as needed

AIR CLEANER, CARBURETOR



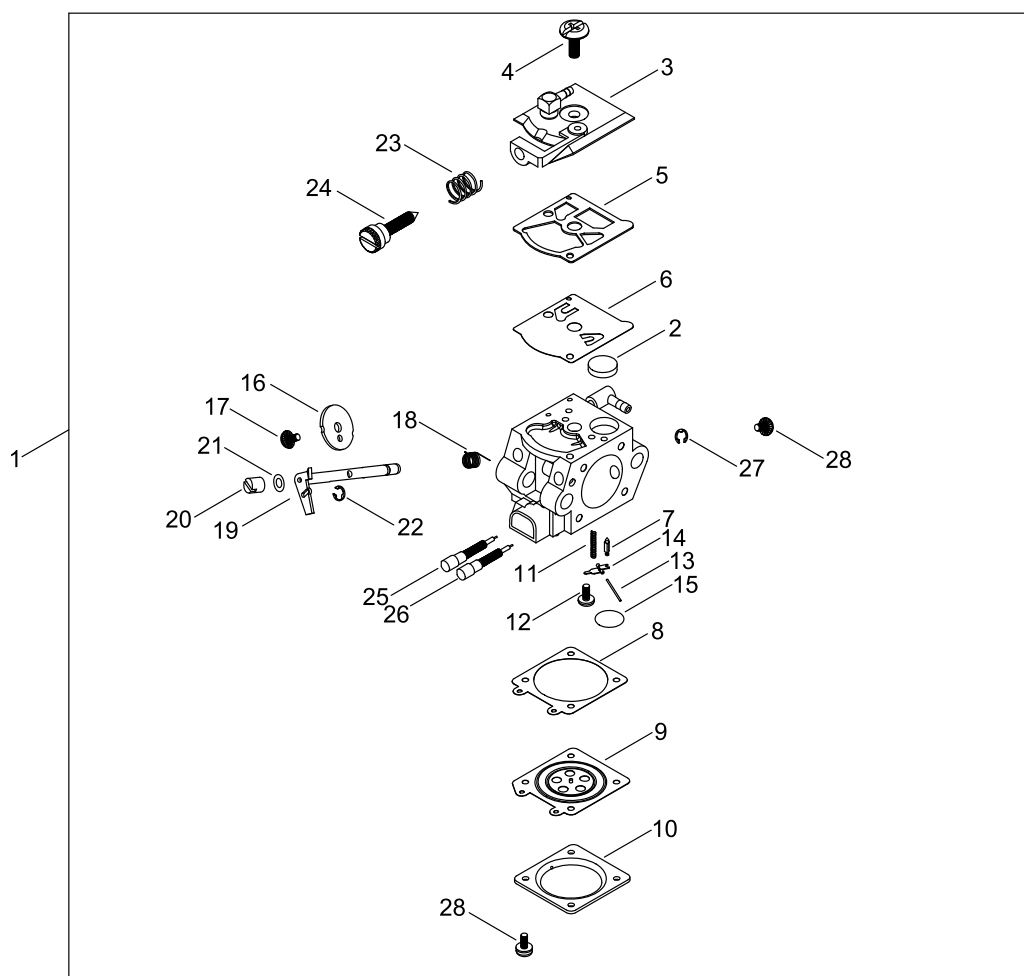
AIR CLEANER, CARBURETOR

Key No.	LV (+)	Parts Number	Parts Description	Qty	Standard	Class
1		A200-000990	INSULATOR, INTAKE	1		C
2		V835-000030	BOLT, TORX 5	3	TB-5*20 10.9	C
3		A202-000251	BELLOWS, INTAKE	1		C
4		V103-001620	GASKET,INTAKE	1		A
5		V835-000010	BOLT, TORX 5	2	TB-5*12 10.9	C
6		A209-000720	PLATE, INSULATOR	1		C
7		C487-000410	HOLDER, CABLE	1		C
8		A209-000730	PLATE, INSULATOR	1		C
9		123181-39130	PUMP, PRIMER	1		A
10		V103-001610	GASKET,INTAKE	1		A
11		A021-004610	CARBURETOR,DIAPHRAGM	1	WT-1170	B
12		V103-000471	GASKET,INTAKE	1	T0.5	A
13		P021-041410	CLEANER CASE ASY	1		
14		A244-000290	PLATE, PREVENT	1		C
15		V805-000100	BOLT, TORX 5	2	TB-5*65 10.9	C
16		P100-002620	CLEANER COVER ASY	1		
17	+	V253-000100	SCREW,5	2	5*20	C
18		A226-000361	ELEMENT, AIR FILTER	1	AFP-2010K-300	A
19		A226-001740	ELEMENT, AIR FILTER	1		A
20		A227-000040	PLATE, ELEMENT	1		C
21		X524-001901	LABEL	1		D
22		V471-004051	PIPE	1	2.4*5*115	C

Class : Consumable class

A:Fast moving parts B:Semi-fast moving parts C:Slow moving parts D:Order only as needed

CARBURETOR



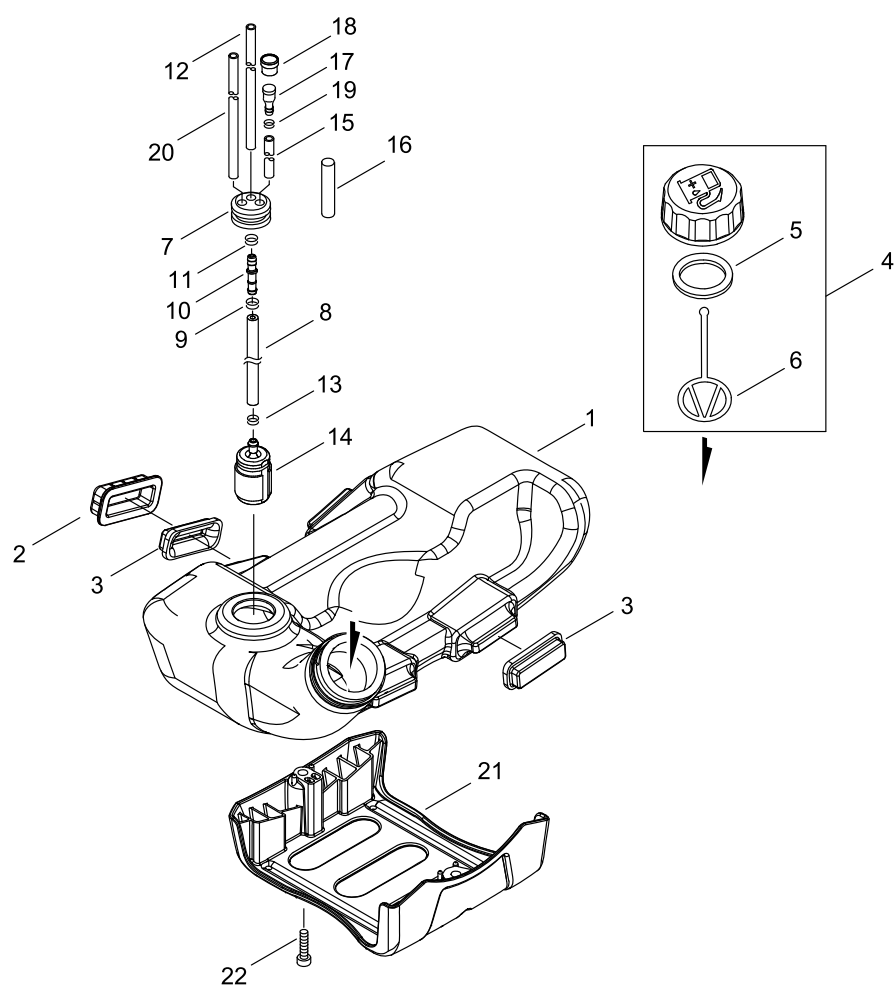
CARBURETOR

Key No.	LV (+)	Parts Number	Parts Description	Qty	Standard	Class
1		A021-004610	CARBURETOR,DIAPHRAGM	1	WT-1170	B
2	+	123126-10631	SCREEN, INLET	1		B
3	+	P003-003930	COVER, FUEL PUMP	1		
4	+	123110-03930	SCREW, PUMP COVER	1		D
5	+	123125-15030	GASKET, FUEL PUMP	1		A
6	+	P003-006270	DIAPHRAGM, FUEL PUMP	1		
7	+	123137-19830	VALVE, INLET NEEDLE	1		D
8	+	123140-03930	GASKET, M. DIAPHRAGM	1		A
9	+	P003-001850	DIAPHRAGM, METERING	1		A
10	+	123142-03930	COVER, M. DIAPHRAGM	1		D
11	+	123122-03660	SPRING, METER. LEVER	1		D
12	+	123139-03930	SCREW, M. LEVER PIN	1		D
13	+	123138-03930	PIN, METERING LEVER	1		D
14	+	123123-03930	LEVER, METERING	1		D
15	+	123146-10631	PLUG, WELCH	1		C
16	+	123116-05960	VALVE, THROTTLE	1		D
17	+	P003-002380	SCREW	1		D
18	+	123113-47530	SPRING, THR. RTN.	1		B
19	+	P003-005020	SHAFT ASM THROTTLE	1		
20	+	P003-005460	SWIVEL	1		
21	+	123149-54230	WASHER	1		C
22	+	123173-07930	CLIP	1		C
23	+	123133-04260	SPRING, IDLE ADJUST	1		D
24	+	123134-04260	SCREW, IDLE ADJUST	1		D
25	+	P003-004460	NEEDLE	1		D
26	+	P003-002270	NEEDLE	1		D
27	+	123127-03930	CLIP, THROTTLE SHAFT	1		C
28	+	123130-02960	SCREW	5		D

Class : Consumable class

A:Fast moving parts B:Semi-fast moving parts C:Slow moving parts D:Order only as needed

FUEL TANK



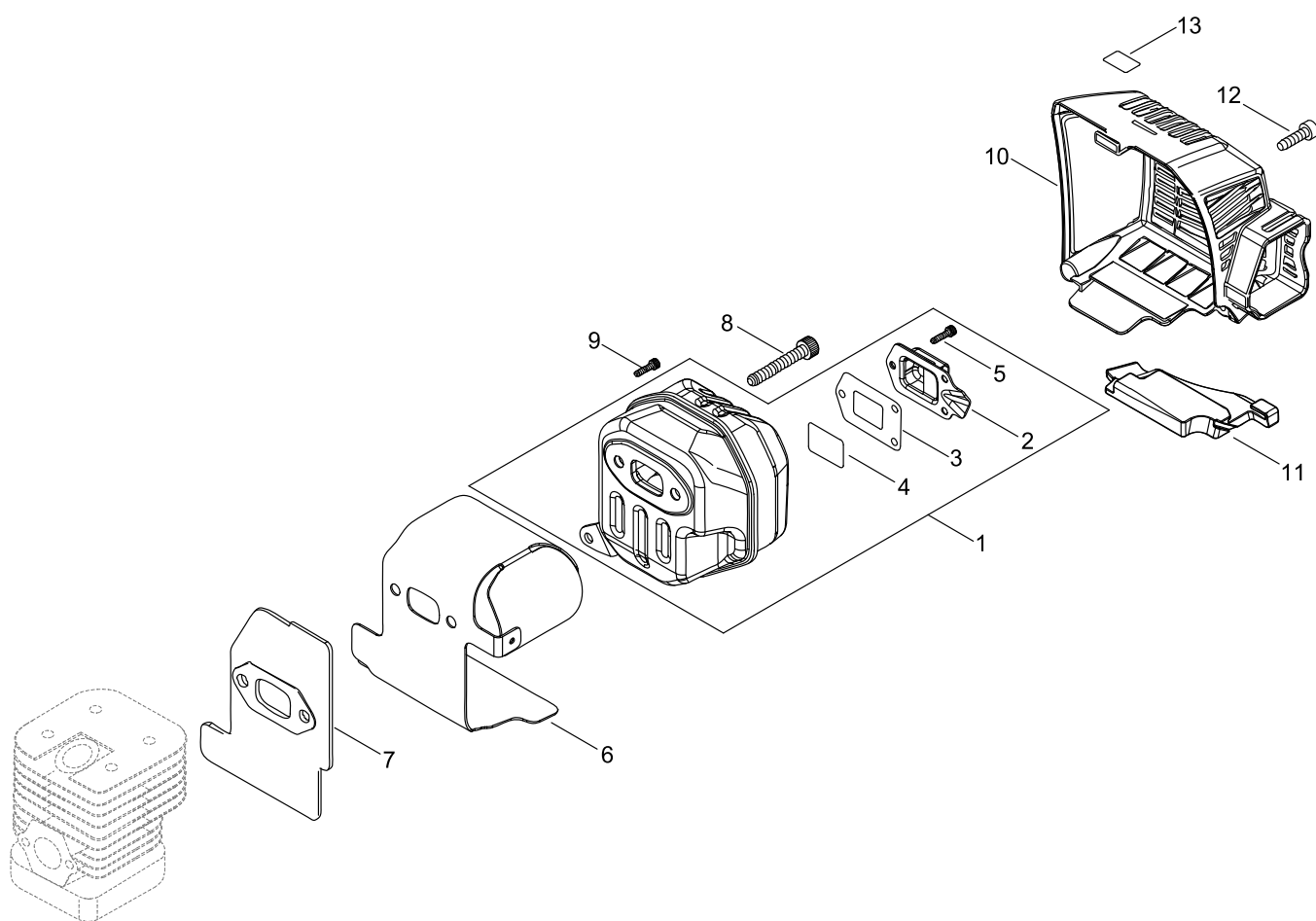
FUEL TANK

Key No.	LV (+)	Parts Number	Parts Description	Qty	Standard	Class
1		A350-002021	TANK, FUEL	1		C
2		V423-000090	HOLDER,CUSHION	2		C
3		131920-61830	CUSHION, FUEL TANK	4		B
4		P021-012211	CAP,FUEL ASY	1		C
5	+	V107-000190	GASKET,FUEL CAP	1	37.9* T 2.2	A
6	+	A365-000060	CONNECTOR,CAP	1	L=123	B
7		132115-55931	GROMMET, FUEL	1	3 φ5	C
8		V471-002311	PIPE	1	3*6*130	C
9		V490-001240	CLIP	1		C
10		V186-000510	JOINT,PIPE	1		C
11		130111-00530	CLIP	1	5.5	C
12		V470-000841	PIPE	1	DO 5 L180	C
13		V490-001240	CLIP	1		C
14		A369-000001	STRAINER, FUEL	1	125-528	A
15		130110-16430	PIPE, IMPULSE	1	3*6*140L	C
16		V475-007610	TUBE	1	8*9*110	C
17		131300-56431	VENT ASSEMBLY, FUEL	1		B
18		131328-40630	COVER, VENT	1		D
19		V490-001240	CLIP	1		C
20		V471-003950	PIPE	1		C
21		A175-000331	STAND	1		C
22		V835-000000	BOLT, TORX 5	2		C

Class : Consumable class

A:Fast moving parts B:Semi-fast moving parts C:Slow moving parts D:Order only as needed

MUFFLER



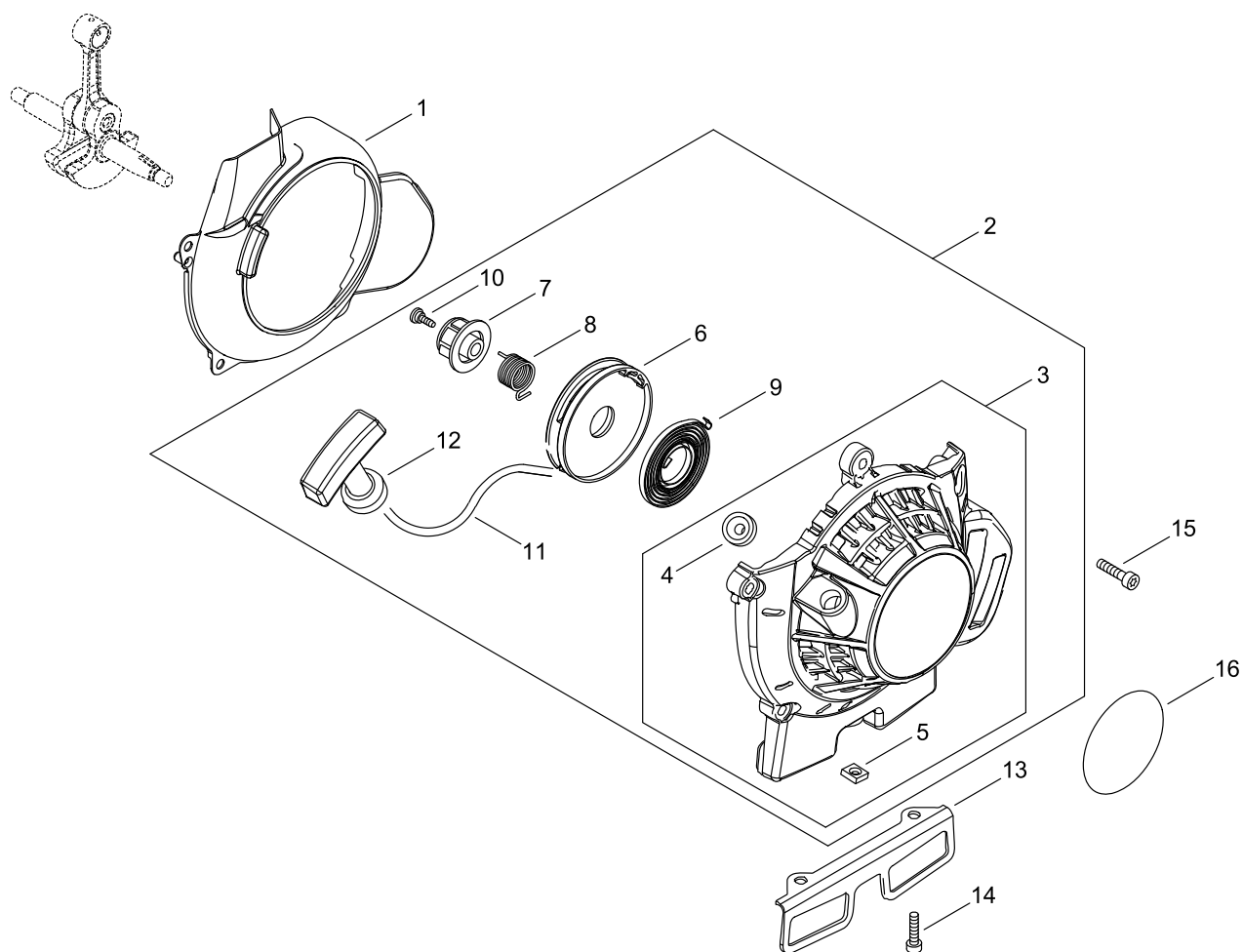
MUFFLER

Key No.	LV (+)	Parts Number	Parts Description	Qty	Standard	Class
1		P100-000070	MUFFLER ASY	1		
2	+	A313-001910	GUIDE, EXHAUST	1		C
3	+	V104-002040	GASKET, EXHAUST	1		A
4	+	145862-40630	SCREEN, MUFFLER	1		B
5	+	V804-000030	BOLT, TORX 4	3	TB-4*8 10.9	C
6		V104-002020	GASKET, EXHAUST	1		A
7		V104-002030	GASKET, EXHAUST	1		A
8		V806-000050	BOLT, TORX 6	2	TB-6*20 12.9	C
9		V805-000250	BOLT, TORX 5	1	TB-5*16 12.9	C
10		A320-001000	COVER, MUFFLER	1		C
11		V541-000540	SEAL	1		C
12		V805-000260	BOLT, TORX 5	2	TB5*25 10.9	C
13		X505-002310	LABEL, CAUTION	1	HOT CAUTION	D

Class : Consumable class

A:Fast moving parts B:Semi-fast moving parts C:Slow moving parts D:Order only as needed

RECOIL STARTER



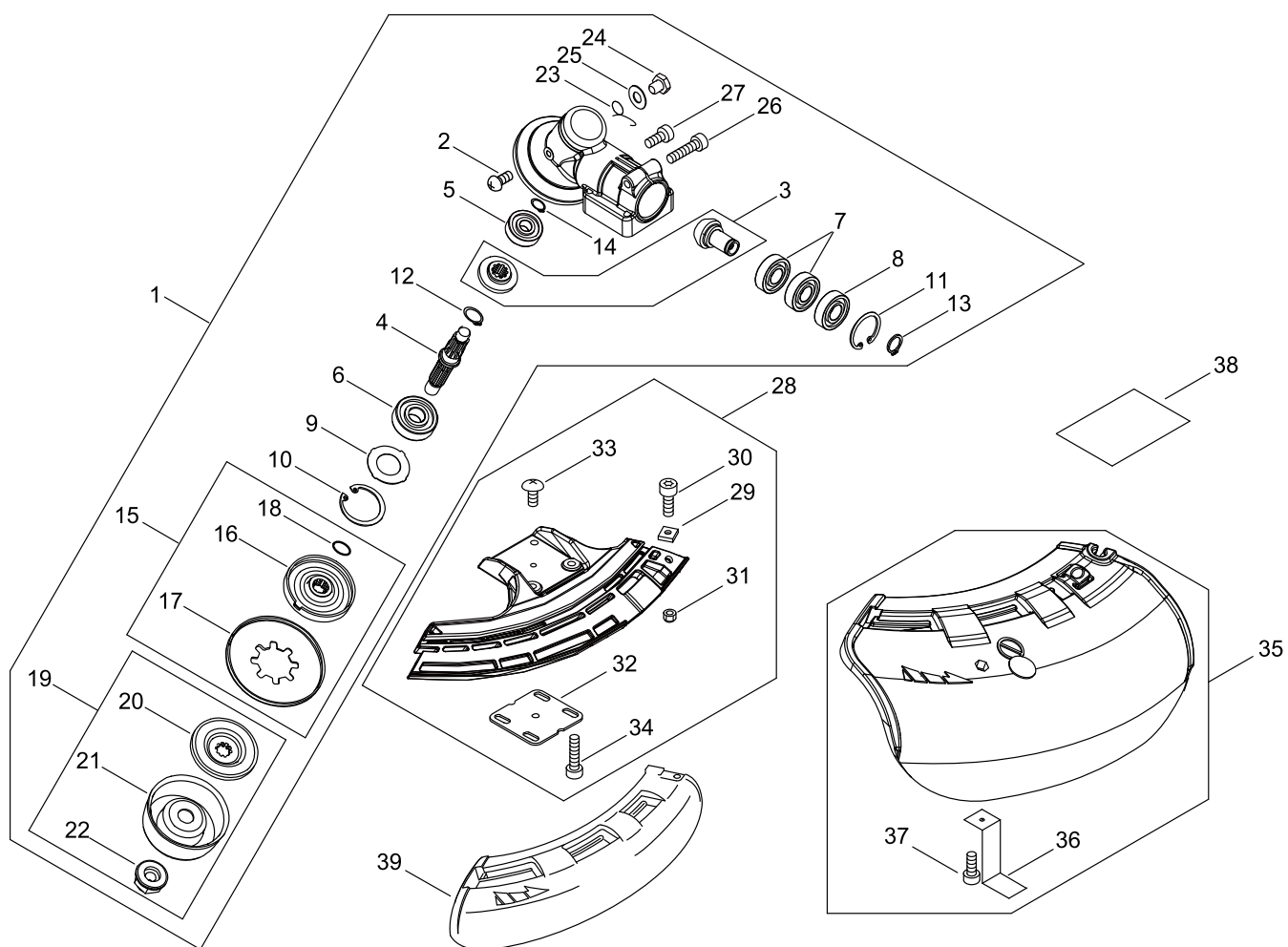
RECOIL STARTER

Key No.	LV (+)	Parts Number	Parts Description	Qty	Standard	Class
1		A172-002240	COVER,FAN	1		C
2		A051-002630	STARTER,RECOIL ASY	1		B
3	+	P022-060840	STARTER CASE	1		C
4	++	P022-045770	GUIDE, ROPE	1		C
5	++	P022-022010	NUT	1		
6	+	P022-060860	DRUM, STARTER	1		C
7	+	P022-033830	CAM	1		
8	+	P022-023120	SPRING,DAMPER	1		
9	+	P022-004680	SPRING, SPIRAL	1		B
10	+	P022-023110	SCREW	1		
11	+	P022-023100	ROPE, STARTER	1		
12	+	177228-27030	GRIP, STARTER	1		C
13		A393-000300	BRACKET,FUEL TANK	1	T1.5	C
14		V805-000150	BOLT, TORX 5	2	TB-5*16 10.9	C
15		V835-000030	BOLT, TORX 5	4	TB-5*20 10.9	C
16		X502-001180	LABEL,ECHO	1	ECHO X SIRIES	D

Class : Consumable class

A:Fast moving parts B:Semi-fast moving parts C:Slow moving parts D:Order only as needed

GEAR CASE, SHIELD



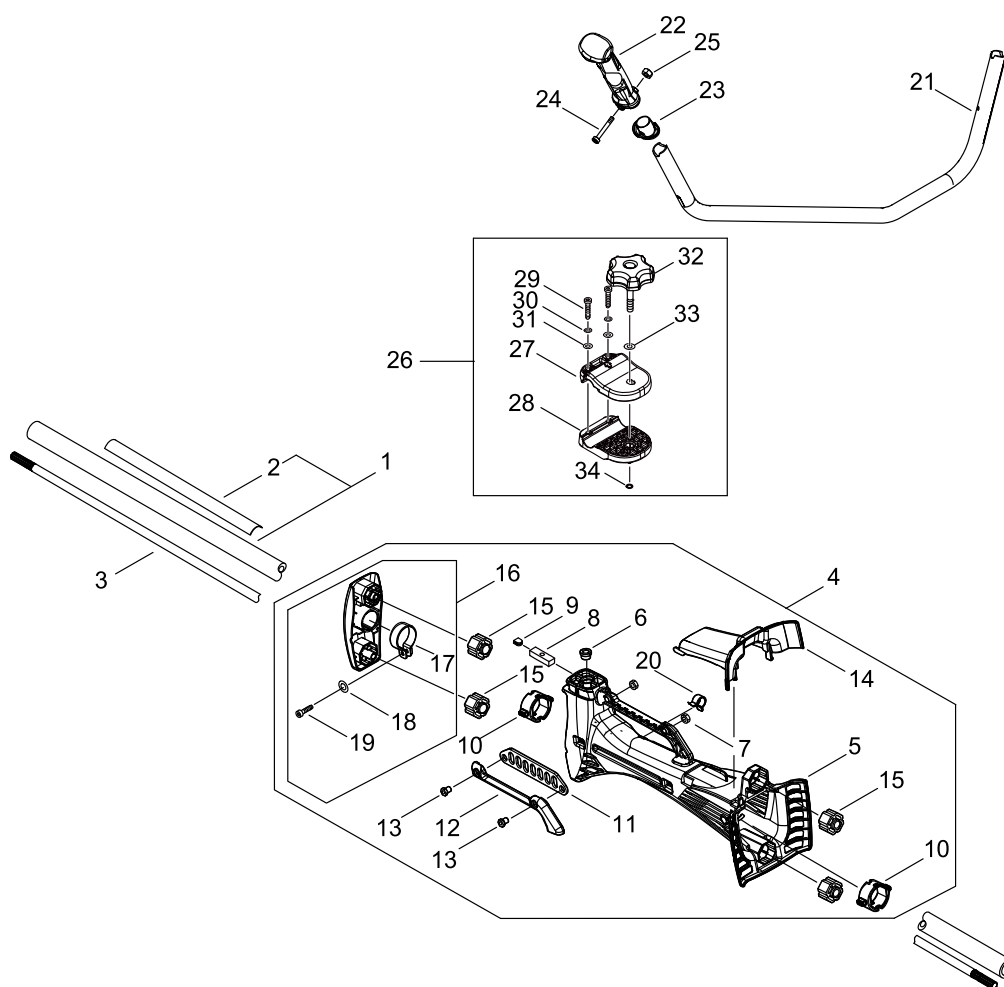
GEAR CASE, SHIELD

Key No.	LV (+)	Parts Number	Parts Description	Qty	Standard	Class
1		P021-043970	CASE,GEAR	1		
2	+	900220-04006	SCREW	1	4*6	
3	+	V000-000190	GEAR SET, BEVEL	1	2:1	D
4	+	C534-000940	SHAFT, GEAR	1	M10	D
5	+	94110-00629	BEARING, BALL	1	629	
6	+	900812-06302	BEARING, BALL	1	6302LLU(DDU)	
7	+	94060-06001	BEARING, BALL	2	6001	
8	+	94063-06001	BEARING, BALL	1	6001Z	
9	+	V313-000090	WASHER,CIRCULAR 20	1		C
10	+	900702-00042	RETAINING RING	1	CR-42	
11	+	900702-00028	RETAINING RING	1	CR-28	
12	+	900706-00012	RETAINING RING	1	WR-12	
13	+	900701-00012	RETAINING RING	1	CS-12	
14	+	900701-00009	RETAINING RING	1	CS-9	
15	+	C535-000920	FIXTURE, BLADE	1		B
16	++	C535-000930	FIXTURE, BLADE	1		B
17	++	610352-56830	PLATE, CUP	1		B
18	++	900720-00012	O-RING	1	P-12	
19	+	P200-000990	BLADE FIXTURE KIT	1		
20	++	610314-52130	PLATE, ADAPTER (L)	1		B
21	++	699229-56830	PLATE, COVER	1		B
22	++	610320-52130	NUT 10	1		B
23	+	V452-001310	SPRING,TORSION	1		B
24	+	610434-50031	BOLT 8* 8	1	M8*8	B
25	+	900603-50008	WASHER	1	8.5*18*0.8T	C
26	+	V806-000100	BOLT, TORX 6	1	TB-6*30 10.9	C
27	+	V805-000130	BOLT, TORX 5	1	TB-5*10 10.9	C
28		P100-010520	SHIELD ASY	1		B
29	+	900565-00005	NUT, SQUARE	1	5	
30	+	V805-000170	BOLT, TORX 5	1	TB-5*25 10.9	C
31	+	900562-00005	NUT, LOCK	1	5	
32	+	C552-000200	PLATE, SHIELD	1		D
33	+	91316-04010	SCREW	1	4*10	C
34	+	V805-000260	BOLT, TORX 5	4	TB5*25 10.9	C
35		P021-043982	SHIELD ASY, BLADE	1		B
36	+	C554-000002	KNIFE,CORD	1		B
37	+	V805-000150	BOLT, TORX 5	1	TB-5*16 10.9	C
38		X530-000560	LABEL,EYE CATCHER	1	HIGH TORQUE	D
39		C550-000541	SHIELD, BLADE	1		B

Class : Consumable class

A:Fast moving parts B:Semi-fast moving parts C:Slow moving parts D:Order only as needed

MAIN PIPE, HANDLE



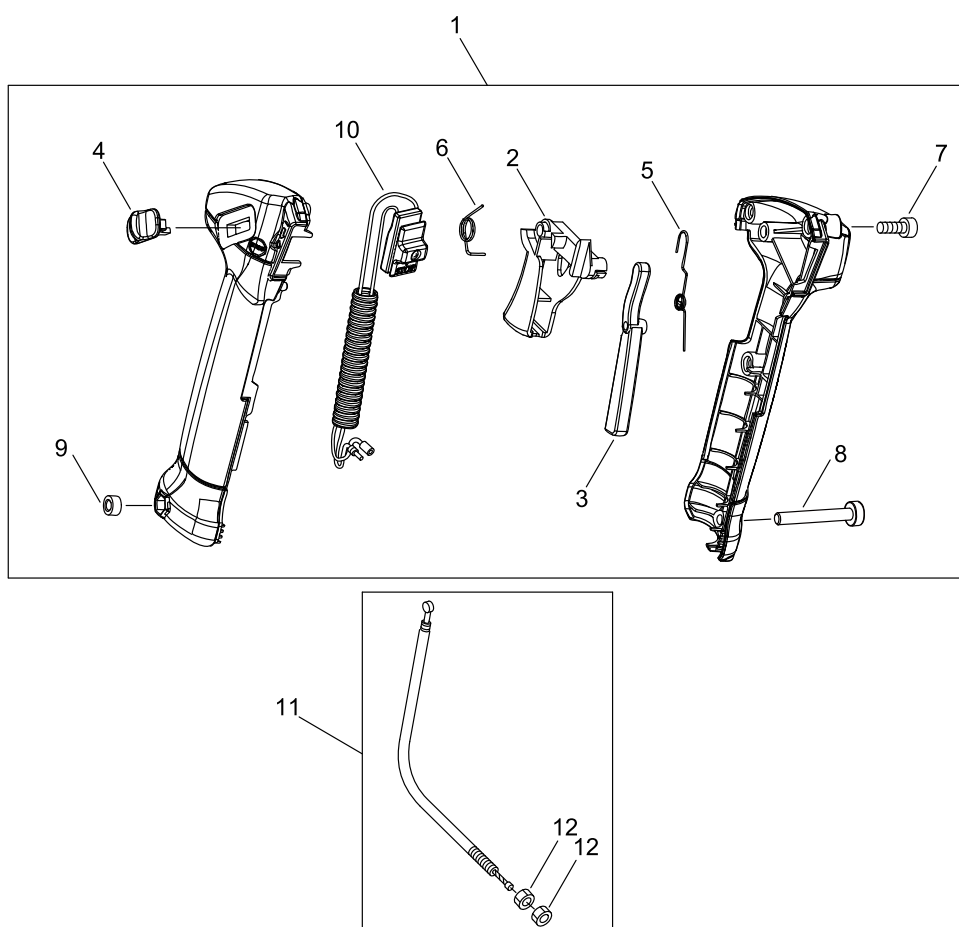
MAIN PIPE, HANDLE

Key No.	LV (+)	Parts Number	Parts Description	Qty	Standard	Class
1		P021-047220	MAIN PIPE ASY	1		
2	+	890617-43130	LABEL,CAUTION	1		D
3		610011-49931	SHAFT, DRIVE	1		C
4		P100-006162	HANDLE SUPPORT KIT	1		C
5	+	C415-000173	SUPPORTER, HANDLE	1		C
6	+	V355-000751	COLLAR,8	1	SRM-420ES	C
7	+	V263-000020	NUT,5	2		C
8	+	V265-000630	NUT,8	1	13X42XT10-M8	C
9	+	101538-28230	GROMMET,PLUG	1		B
10	+	C427-000050	STOPPER, HAMDLE	2		D
11	+	V150-003590	PLATE,EYE	1		C
12	+	C648-000030	HOLDER,LIFTING	1		D
13	+	V805-000150	BOLT, TORX 5	2	TB-5*16 10.9	C
14	+	C480-000140	GUIDE, CABLE	1		C
15	+	V420-004100	CUSHION	4		B
16	+	P200-000581	SUPPORT FIXTURE ASY	1		D
17	++	V495-003660	BAND	1		C
18	++	900603-00006	WASHER	1	6	
19	++	V806-000050	BOLT, TORX 6	1	TB-6*20 12.9	C
20	+	V490-001220	CLIP	1		C
21		C400-001441	HANDLE,FRONT	1	22*T2.0	C
22		C403-000810	GRIP, HANDLE	1		C
23		C441-000000	PIECE,HAND GUARD	1	22	C
24		V805-000070	BOLT, TORX 5	1	TB-5*40 10.9	C
25		900562-50005	NUT, LOCK	1	5	
26		P100-009310	PIPE FIXTURE SET	1		
27	+	C423-001070	FIXTURE, HANDLE	1		D
28	+	C423-001080	FIXTURE, HANDLE	1		D
29	+	V203-002500	BOLT,5	2	TB-5*30	C
30	+	900605-00005	WASHER, SPRING	2	5	
31	+	900620-00005	WASHER	2	5	
32	+	V299-000110	KNOB,FASTENER	1		C
33	+	175049-03920	WASHER	1		C
34	+	900720-20007	O-RING	1	P-7	

Class : Consumable class

A:Fast moving parts B:Semi-fast moving parts C:Slow moving parts D:Order only as needed

THROTTLE



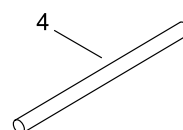
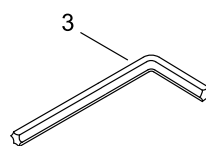
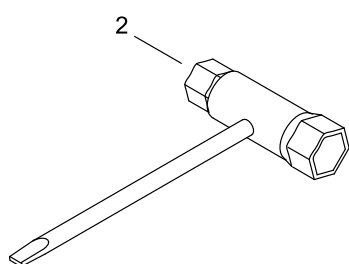
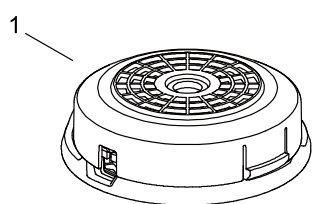
THROTTLE

Key No.	LV (+)	Parts Number	Parts Description	Qty	Standard	Class
1		P100-006090	THROTTLE ASY	1		
2	+	C450-000880	CONTROL, THROTTLE	1		C
3	+	C460-000490	LOCKOUT, THROTTLE	1		C
4	+	C463-000000	KNOB,LATCH	1		C
5	+	V452-001540	SPRING,TORSION	1		B
6	+	V452-000060	SPRING,TORSION	1		B
7	+	V804-000010	BOLT, TORX 4	3	TT-4*16 DG 10.9	C
8	+	V805-000060	BOLT, TORX 5	1	TB-5*35 10.9	C
9	+	900500-00005	NUT	1	5	
10	+	P021-041471	SWITCH,ON OFF ASY	1		
11		V430-004690	CABLE,BOWDEN	1		B
12	+	900502-00006	NUT	2	6	

Class : Consumable class

A:Fast moving parts B:Semi-fast moving parts C:Slow moving parts D:Order only as needed

ACCESSORIES



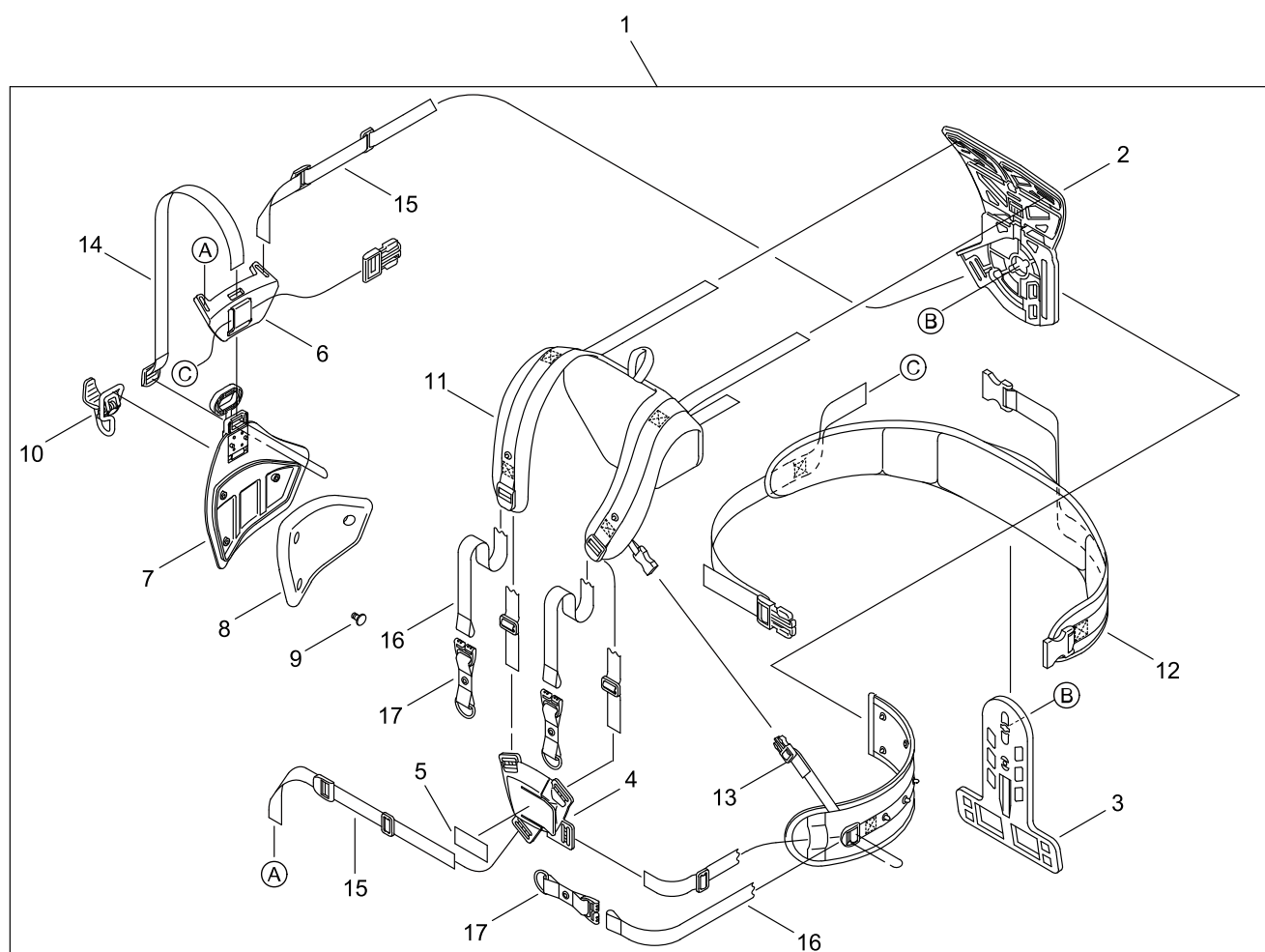
ACCESSORIES

Key No.	LV (+)	Parts Number	Parts Description	Qty	Standard	Class
1		X047-001121	CUTTER,ASM LINE	1	B6 M10L	A
2		X602-000020	TOOL,WRENCH	1	17*19 L200	D
3		X605-000170	TOOL,L WRENCH	1		D
4		X606-000080	TOOL,BAR	1	5*120	D

Class : Consumable class

A:Fast moving parts B:Semi-fast moving parts C:Slow moving parts D:Order only as needed

HARNESS



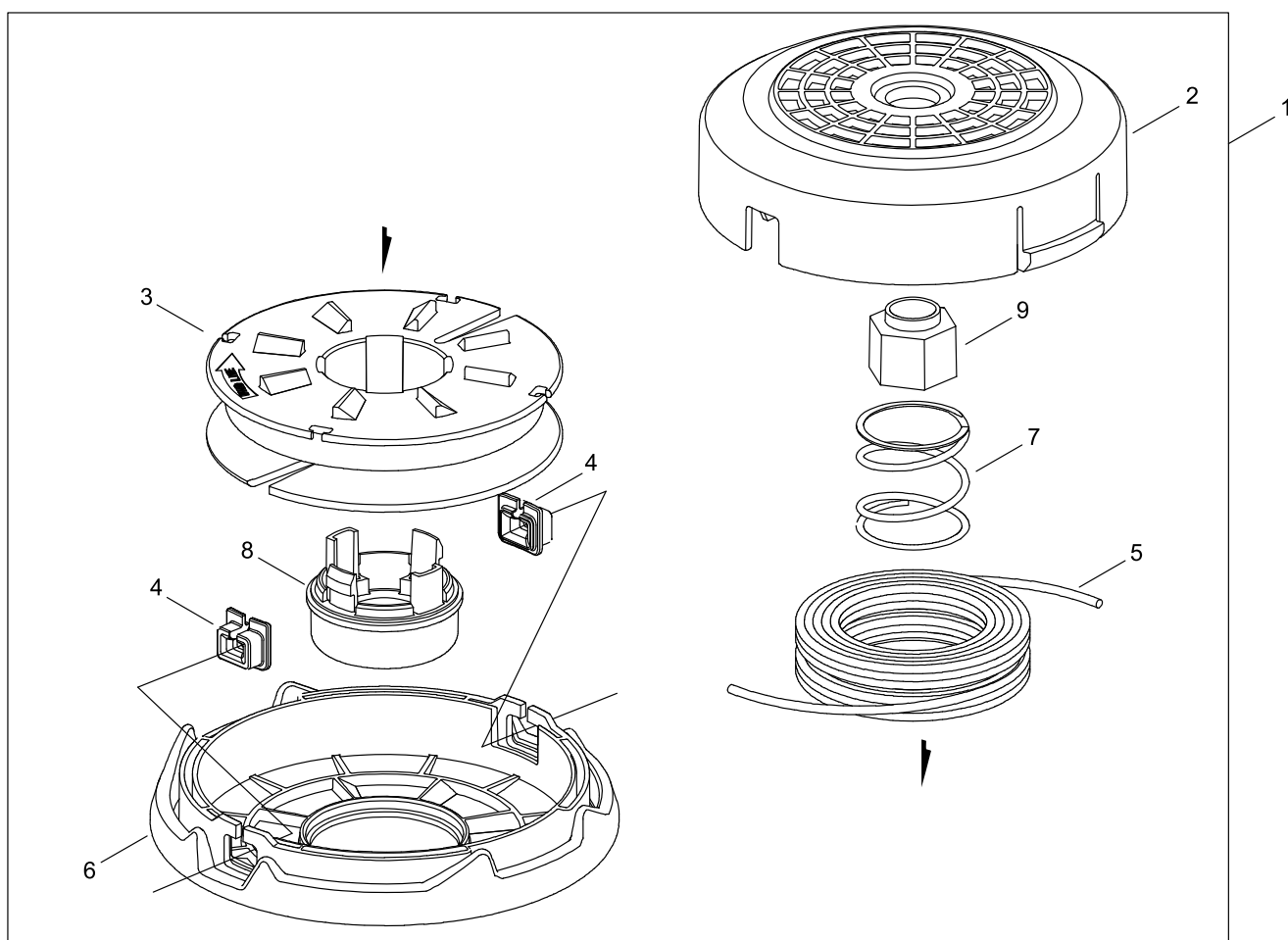
HARNESS

Key No.	LV (+)	Parts Number	Parts Description	Qty	Standard	Class
1		C062-000591	HARNESS, SHOULDER	1	ECHO	B
2	+	C630-000230	SEAT, BACKPACK	1		C
3	+	C630-000250	SEAT, BACKPACK	1		C
4	+	P021-047390	BUCKLE, HARNESS SET	1		
5	+	X502-000390	LABEL,ECHO	1	ECHO 72.5*15	D
6	+	C652-000070	PAD, WAIST	1		D
7	+	P021-047231	PAD, WAIST ASY	1		
8	+	C652-000080	PAD, WAIST	1		D
9	+	V491-000490	CLIP	3	#3S53	C
10	+	C063-000050	HOOK,LIFTING	1		C
11	+	C644-000220	PAD, HARNESS	1		D
12	+	C651-000070	BELT, HARNESS	1	ECHO	B
13	+	C652-000090	PAD, WAIST	1		D
14	+	C650-000000	ADJUSTER,STRAP	1		D
15	+	C650-000010	ADJUSTER,STRAP	2		D
16	+	C650-000020	ADJUSTER,STRAP	3		D
17	+	C653-000000	END,BELT	3		D

Class : Consumable class

A:Fast moving parts B:Semi-fast moving parts C:Slow moving parts D:Order only as needed

NYLON LINE CUTTER



NYLON LINE CUTTER

Key No.	LV (+)	Parts Number	Parts Description	Qty	Standard	Class
1		X047-001121	CUTTER,ASM LINE	1	B6 M10L	A
2	+	P022-024670	CASE	1		
3	+	P022-024660	LINE HOLDER	1		
4	+	P022-000710	EYELET	2	T4	
5	+	REFER	PRODUCT CATALOGUE	1		
6	+	P022-024640	COVER	1		
7	+	P022-035500	SPRING	1		
8	+	P022-024620	KNOB	1		
9	+	P022-023180	NUT	1		

Class : Consumable class

A:Fast moving parts B:Semi-fast moving parts C:Slow moving parts D:Order only as needed

NUMERICAL PARTS INDEX

Part No	Part description	Page	Part No	Part description	Page	Part No	Part description	Page
100012-19830	BEARING, NEEDLE	2	699229-56830	PLATE, COVER	20	A226-000361	ELEMENT, AIR FILTER	10
100014-17330	SPACER, PISTON PIN	2	890617-43130	LABEL,CAUTION	22	A226-001740	ELEMENT, AIR FILTER	10
100142-12330	KEY, WOODRUFF	6	900220-04006	SCREW	20	A227-000040	PLATE, ELEMENT	10
100213-05530	OILSEAL	4	900500-00005	NUT	24	A244-000290	PLATE, PREVENT	10
101538-28230	GROMMET,PLUG	22	900502-00006	NUT	24	A313-001910	GUIDE, EXHAUST	16
123110-03930	SCREW, PUMP COVER	12	900562-00005	NUT, LOCK	20	A320-001000	COVER,MUFFLER	16
123113-47530	SPRING, THR. RTN.	12	900562-50005	NUT, LOCK	22	A350-002021	TANK, FUEL	14
123116-05960	VALVE, THROTTLE	12	900565-00005	NUT, SQUARE	20	A365-000060	CONNECTOR,CAP	14
123122-03660	SPRING, METER. LEVER	12	900603-00006	WASHER	22	A369-000001	STRAINER, FUEL	14
123123-03930	LEVER, METERING	12	900603-50008	WASHER	20	A393-000300	BRACKET,FUEL TANK	18
123125-15030	GASKET, FUEL PUMP	12	900605-00005	WASHER, SPRING	22	A411-001372	COIL, IGNITION	6
123126-10631	SCREEN, INLET	12	900620-00005	WASHER	22	A425-000000	SPARKPLUG	6
123127-03930	CLIP, THROTTLE SHAFT	12	900701-00009	RETAINING RING	20	A427-000090	PLUG CAP	6
123130-02960	SCREW	12	900701-00012	RETAINING RING	8	A429-000110	PLUG CAP COVER	6
123133-04260	SPRING, IDLE ADJUST	12	900701-00012	RETAINING RING	20	A514-000280	PAWL	6
123134-04260	SCREW, IDLE ADJUST	12	900702-00028	RETAINING RING	8	A552-000390	HUB, CLUTCH	8
123137-19830	VALVE, INLET NEEDLE	12	900702-00028	RETAINING RING	20	A556-001540	DRUM, CLUTCH	8
123138-03930	PIN, METERING LEVER	12	900702-00042	RETAINING RING	20	A557-000190	SHAFT, CLUTCH	8
123139-03930	SCREW, M. LEVER PIN	12	900706-00012	RETAINING RING	20	A566-000230	SPRING, CLUTCH	8
123140-03930	GASKET, M. DIAPHRAGM	12	900720-00012	O-RING	20	A570-000291	CASE,CLUTCH	8
123142-03930	COVER, M. DIAPHRAGM	12	900720-20007	O-RING	22	C062-000591	HARNESS, SHOULDER	28
123146-10631	PLUG, WELCH	12	900812-06302	BEARING, BALL	20	C063-000050	HOOK,LIFTING	28
123149-54230	WASHER	12	900888-36201	BEARING, BALL	4	C400-001441	HANDLE,FRONT	22
123173-07930	CLIP	12	91316-04010	SCREW	20	C403-000810	GRIP, HANDLE	22
123181-39130	PUMP, PRIMER	10	92105-08000	NUT L, FLANGE	6	C415-000173	SUPPORTER, HANDLE	22
130110-16430	PIPE, IMPULSE	14	94018-46001	BEARING, BALL	8	C423-001070	FIXTURE, HANDLE	22
130111-00530	CLIP	14	94060-06001	BEARING, BALL	20	C423-001080	FIXTURE, HANDLE	22
131300-56431	VENT ASSEMBLY, FUEL	14	94063-06001	BEARING, BALL	20	C427-000050	STOPPER, HAMDLE	22
131328-40630	COVER, VENT	14	94110-00629	BEARING, BALL	20	C441-000000	PIECE,HAND GUARD	22
131911-03460	WASHER	6	A011-001230	CRANKSHAFT,ASY	2	C450-000880	CONTROL, THROTTLE	24
131920-61830	CUSHION, FUEL TANK	14	A021-004610	CARBURETOR, DIAPHRAGM	10	C460-000490	LOCKOUT, THROTTLE	24
132115-55931	GROMMET, FUEL	14	A021-004610	CARBURETOR, DIAPHRAGM	12	C463-000000	KNOB,LATCH	24
145862-40630	SCREEN, MUFFLER	16	A051-002630	STARTER,RECOIL ASY	18	C480-000140	GUIDE, CABLE	22
156110-04920	BUSHING	4	A101-000160	RING, PISTON	2	C487-000410	HOLDER, CABLE	10
156114-07320	GROMMET	4	A130-002070	CYLINDER	2	C534-000940	SHAFT, GEAR	20
159011-03432	COIL, SPARK PLUG	6	A160-002620	COVER,CYLINDER	2	C535-000920	FIXTURE, BLADE	20
159116-21231	CLAMP	4	A160-002632	COVER,CYLINDER	2	C535-000930	FIXTURE, BLADE	20
175049-03920	WASHER	22	A172-002240	COVER,FAN	18	C550-000541	SHIELD, BLADE	20
177228-27030	GRIP, STARTER	18	A175-000331	STAND	14	C552-000200	PLATE, SHIELD	20
178070-10860	SPACER	6	A200-000990	INSULATOR, INTAKE	10	C554-000002	KNIFE,CORD	20
610011-49931	SHAFT, DRIVE	22	A202-000251	BELLOWS, INTAKE	10	C630-000230	SEAT, BACKPACK	28
610314-52130	PLATE, ADAPTER (L)	20	A209-000720	PLATE, INSULATOR	10	C630-000250	SEAT, BACKPACK	28
610320-52130	NUT 10	20	A209-000730	PLATE, INSULATOR	10	C644-000220	PAD, HARNESS	28
610352-56830	PLATE, CUP	20	A209-000740	PLATE, INSULATOR	4	C648-000030	HOLDER,LIFTING	22
610434-50031	BOLT 8* 8	20				C650-000000	ADJUSTER,STRAP	28

NUMERICAL PARTS INDEX

Part No	Part description	Page	Part No	Part description	Page	Part No	Part description	Page
C650-000010	ADJUSTER,STRAP	28	P100-006090	THROTTLE ASY	24	V475-007550	TUBE	6
C650-000020	ADJUSTER,STRAP	28	P100-006110	CASE,CLUTCH ASY	8	V475-007610	TUBE	4
C651-000070	BELT, HARNESS	28	P100-006162	HANDLE SUPPORT KIT	22	V475-007610	TUBE	14
C652-000070	PAD, WAIST	28	P100-009310	PIPE FIXTURE SET	22	V485-002331	LEAD	6
C652-000080	PAD, WAIST	28	P100-010520	SHIELD ASY	20	V485-002570	LEAD	4
C652-000090	PAD, WAIST	28	P200-000581	SUPPORT FIXTURE ASY	22	V490-001220	CLIP	22
C653-000000	END,BELT	28	P200-000990	BLADE FIXTURE KIT	20	V490-001240	CLIP	14
P003-001850	DIAPHRAGM, METERING	12	P200-001380	ROTOR,MAGNETO KIT	6	V491-000490	CLIP	28
P003-002270	NEEDLE	12	REFER	PRODUCT CATALOGUE	30	V495-001440	COVER BAND	6
P003-002380	SCREW	12	V000-000190	GEAR SET, BEVEL	20	V495-003660	BAND	22
P003-003930	COVER, FUEL PUMP	12	V100-000760	GASKET,CYL	2	V505-000020	SEAL,OIL 12	4
P003-004460	NEEDLE	12	V102-000250	GASKET,CRANKCASE	4	V541-000540	SEAL	16
P003-005020	SHAFT ASM THROTTLE	12	V103-000471	GASKET,INTAKE	10	V580-000010	RING,END	2
P003-005460	SWIVEL	12	V103-001610	GASKET,INTAKE	10	V608-000000	PIN,ENG 10	2
P003-006270	DIAPHRAGM, FUEL PUMP	12	V103-001620	GASKET,INTAKE	10	V804-000010	BOLT, TORX 4	24
P021-012211	CAP,FUEL ASY	14	V104-002020	GASKET,EXHAUST	16	V804-000030	BOLT, TORX 4	16
P021-041390	PISTON KIT	2	V104-002030	GASKET,EXHAUST	16	V805-000060	BOLT, TORX 5	24
P021-041410	CLEANER CASE ASY	10	V104-002040	GASKET,EXHAUST	16	V805-000070	BOLT, TORX 5	22
P021-041471	SWITCH,ON OFF ASY	24	V107-000190	GASKET,FUEL CAP	14	V805-000100	BOLT, TORX 5	10
P021-043970	CASE,GEAR	20	V150-003590	PLATE,EYE	22	V805-000130	BOLT, TORX 5	8
P021-043982	SHIELD ASY, BLADE	20	V151-000050	SHIELD	6	V805-000130	BOLT, TORX 5	20
P021-047220	MAIN PIPE ASY	22	V186-000510	JOINT,PIPE	14	V805-000140	BOLT, TORX 5	6
P021-047231	PAD, WAIST ASY	28	V203-002500	BOLT,5	22	V805-000150	BOLT, TORX 5	6
P021-047390	BUCKLE, HARNESS SET	28	V253-000100	SCREW,5	10	V805-000150	BOLT, TORX 5	18
P022-000710	EYELET	30	V263-000020	NUT,5	22	V805-000150	BOLT, TORX 5	20
P022-004680	SPRING, SPIRAL	18	V265-000630	NUT,8	22	V805-000150	BOLT, TORX 5	22
P022-022010	NUT	18	V299-000110	KNOB,FASTENER	22	V805-000160	BOLT, TORX 5	8
P022-023100	ROPE, STARTER	18	V313-000090	WASHER,CIRCULAR 20	20	V805-000170	BOLT, TORX 5	8
P022-023110	SCREW	18	V353-000630	COLLAR,5	6	V805-000170	BOLT, TORX 5	20
P022-023120	SPRING,DAMPER	18	V355-000751	COLLAR,8	22	V805-000210	BOLT, TORX 5	2
P022-023180	NUT	30	V376-001980	SPACER	8	V805-000250	BOLT, TORX 5	16
P022-024620	KNOB	30	V420-004100	CUSHION	22	V805-000260	BOLT, TORX 5	16
P022-024640	COVER	30	V423-000090	HOLDER,CUSHION	14	V805-000260	BOLT, TORX 5	20
P022-024660	LINE HOLDER	30	V430-004690	CABLE,BOWDEN	24	V805-000290	BOLT, TORX 5	4
P022-024670	CASE	30	V452-000060	SPRING,TORSION	24	V806-000050	BOLT, TORX 6	16
P022-033830	CAM	18	V452-001310	SPRING,TORSION	20	V806-000050	BOLT, TORX 6	22
P022-035500	SPRING	30	V452-001370	SPRING,TORSION	6	V806-000100	BOLT, TORX 6	20
P022-045770	GUIDE, ROPE	18	V452-001540	SPRING,TORSION	24	V835-000000	BOLT, TORX 5	2
P022-060840	STARTER CASE	18	V453-000230	SPRING,FLAT	8	V835-000000	BOLT, TORX 5	4
P022-060860	DRUM, STARTER	18	V470-000841	PIPE	14	V835-000000	BOLT, TORX 5	14
P100-000070	MUFFLER ASY	16	V471-002311	PIPE	14	V835-000010	BOLT, TORX 5	10
P100-000080	CLUTCH SHOE SET	8	V471-003950	PIPE	14	V835-000030	BOLT, TORX 5	10
P100-002620	CLEANER COVER ASY	10	V471-004041	PIPE	4	V835-000030	BOLT, TORX 5	18
P100-002630	CRANKCASE SET	4	V471-004051	PIPE	10	X047-001121	CUTTER,ASM LINE	26
			V475-007540	TUBE	6	X047-001121	CUTTER,ASM LINE	30

NUMERICAL PARTS INDEX

Part No	Part description	Page
X502-000390	LABEL,ECHO	28
X502-001180	LABEL,ECHO	18
X505-002310	LABEL,CAUTION	16
X524-001901	LABEL	10
X530-000560	LABEL,EYE CATCHER	20
X547-002380	LABEL,ECHO	2
X602-000020	TOOL,WRENCH	26
X605-000170	TOOL,L WRENCH	26
X606-000080	TOOL,BAR	26