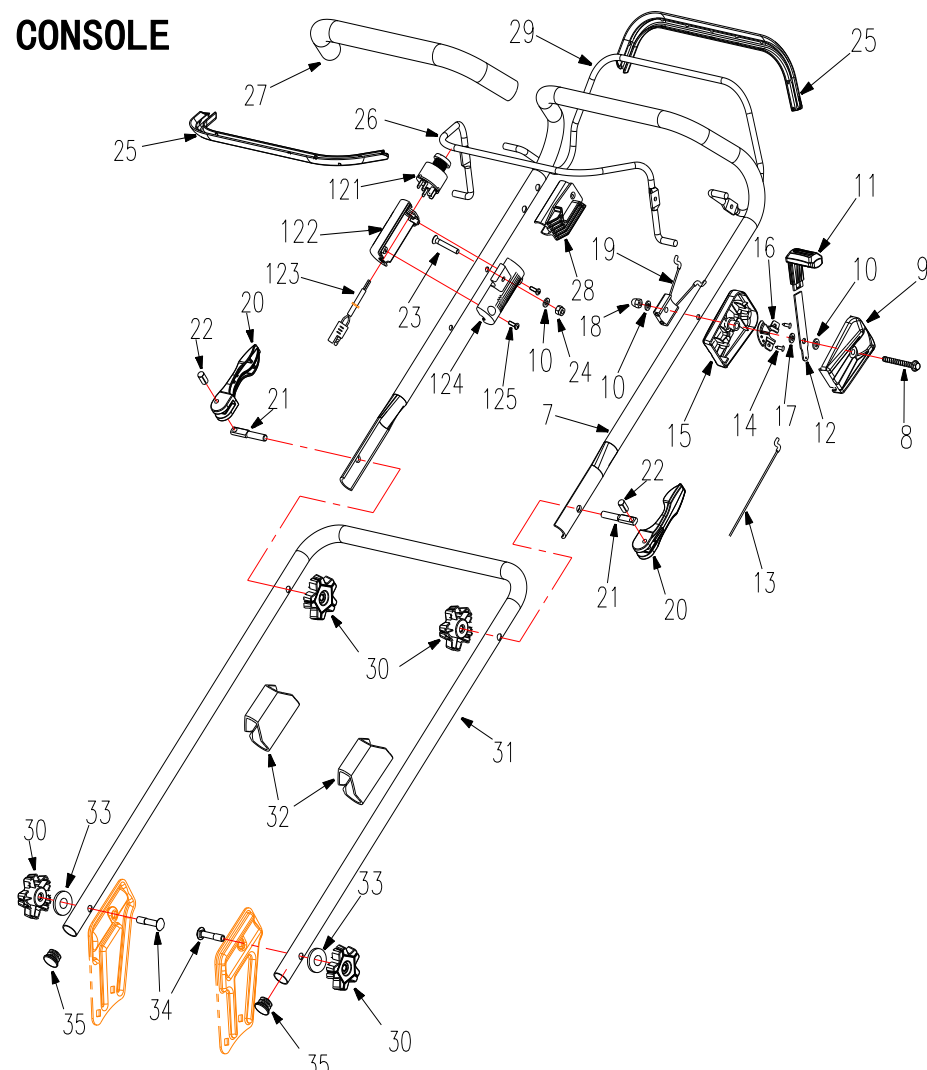


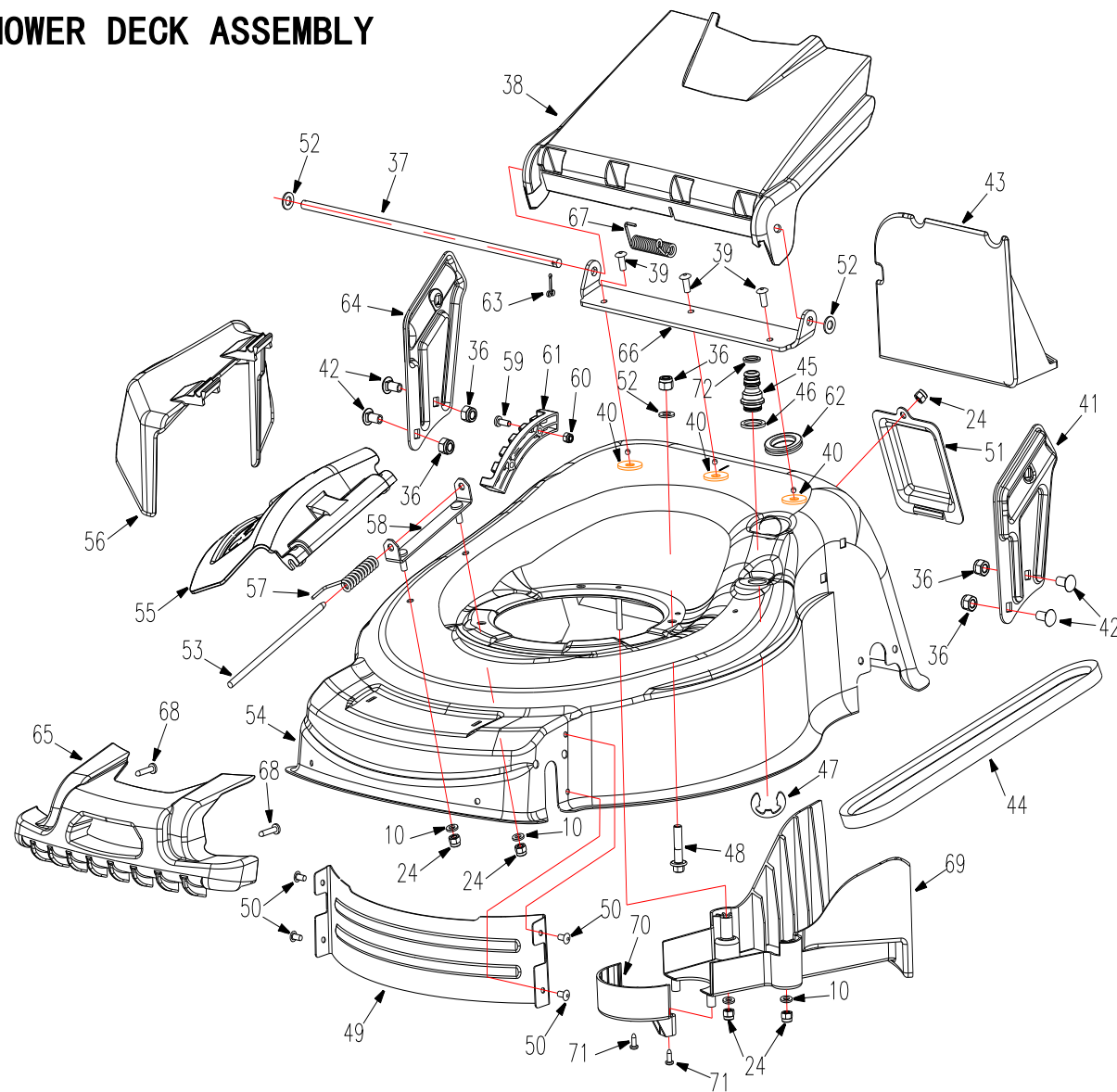
Parts Book For WJZ18H-BS575IS-B01

HANDLEBAR & CONSOLE



Ref. No.	Parts No.	Description	Description	Quantity
7	1850044	上把手	Upper Handlebar	1
8	GB16674.1-06065	螺栓M6×65	Bolt M6×65	1
9	2000138	左油门盒	Throttle Box, Left	1
10	GB97.1-06	垫圈6	Washer 6	3
11	2110087A	手柄套	Handle Sleeve	1
12	2000140A	油门手柄	Throttle Handles	1
13	1850077	油门软轴	Throttle Flexible Shaft	1
14	GB845-35095	自攻螺钉ST3.5×9.5	Self Tapping Screws ST3.5×9.5	2
15	2000139A	右油门盒	Throttle Box, Right	1
16	2000141	油门支架	Throttle Bracket	1
17	GB860-06	垫圈6	Washer 6	1
18	GB923-06	螺母M6	Nylon Insert Lock Nut M6mm	1
19	1850079	拉线总成	Cable Unit	1
20	1600511	快拆	Quick Fix	2
21	1850049	螺杆	Screw	2
22	GB879-06019	弹性销6×19	Pin 6×19	2
23	GB820-06035	螺钉M6×35	Screw M6×35	2
24	GB6182-06	螺母M6	Nylon Insert Lock Nut M6mm	1
25	1850048	手柄套	Handle Sleeve	2
26	1850045	抱刹把手	Blade Control Handle	1
27	WORD18.6-04	把手护套	Handle Grip	1
28	2203003	限位块	Bracket	1
29	1850046	离合把手	Drive Clutch Lever	1
30	1850006	异型螺母	Knob Nut	4
31	1850043	下把手	Lower Handlebar	1
32	2011559	卡线套	Card Line Sets	2
33	GB96-08	垫圈8	Washer 8	2
34	GB801-08040	螺栓M8×40	Square Neck Bolt M8×40mm	2
35	1850085	圆管塞22mm	Round plug 22mm	2
121	2015020	启动开关	Start Switch	1
122	2015014A	右固定座	Right Holder	1
123	2015021	线束	Wire Harness	1
124	2015013A	左固定座	Left Bracket	1
125	GB845-35130	自攻螺钉ST3.5×13	Self Tapping Screws ST3.5×13	2

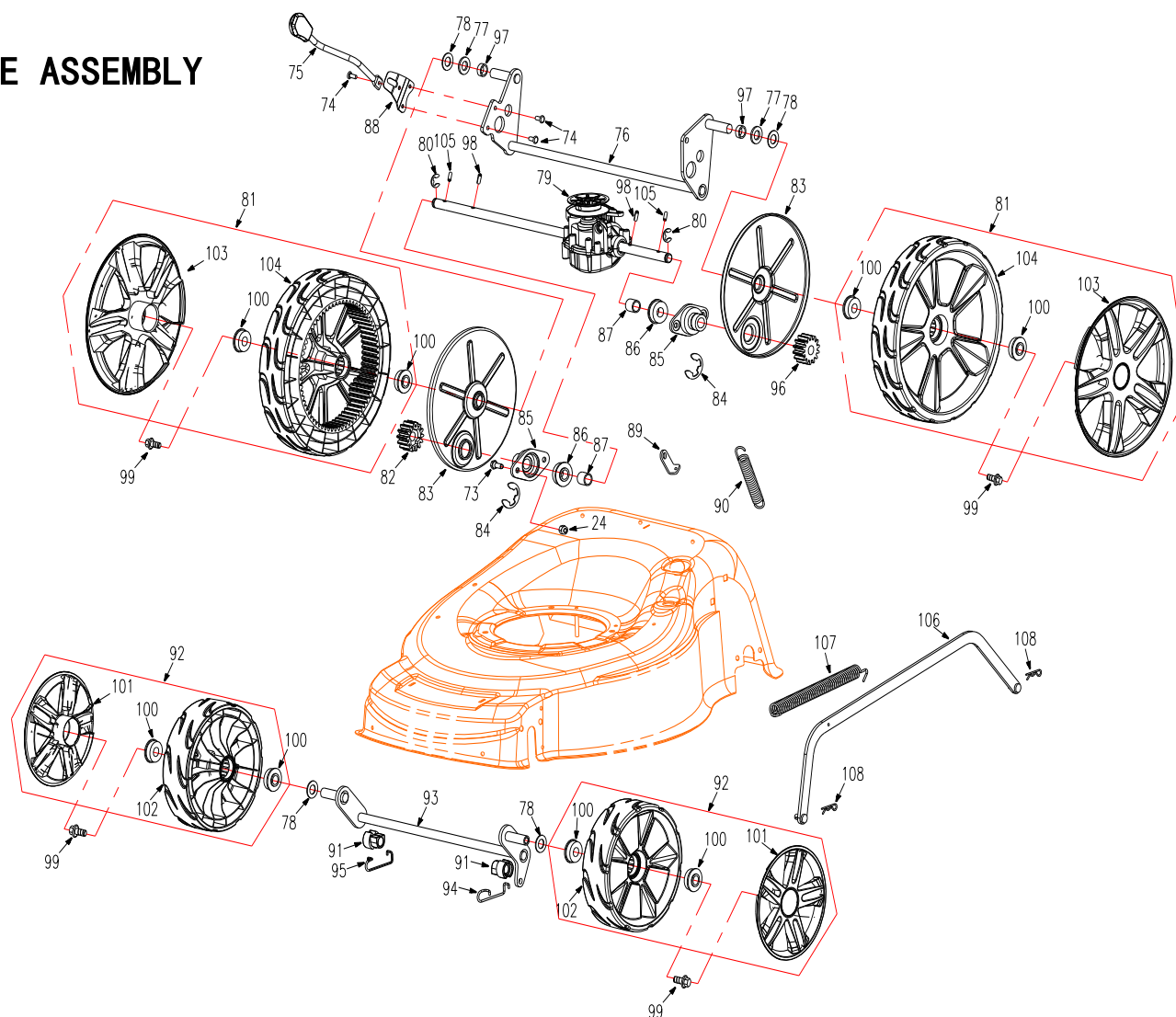
MOWER DECK ASSEMBLY



Ref. No.	Parts No.	Description	Description	Quantity
10	GB97.1-06	垫圈6	Washer 6	4
24	GB6182-06	螺母M6	Nylon Insert Lock Nut M6mm	5
36	GB6182-08	螺母M8	Locknut M8	7
37	1850007	后盖板轴	Rod, Rear Cover	1
38	1850001	后盖板	Rear Cover	1
39	GB12618-06015	抽芯铆钉6×15	Self-plugging Rivet 6×15	3
40	GB96.1-06	垫圈6	Washer 6	3
41	1850003	左支架	Left Bracket	1
42	GB801-08016	螺栓M8×16	Square Neck Bolt M8X16mm	4
43	1850071	碎草塞	Mulching Plug	1
44	1850005	V型带A686	V Belt A686	1
45	1810014	出水口	Water Outlet	1
46	1850047	橡胶垫圈	Washer	1
47	GB896-15	开口挡圈15	E-Clip 15mm	1
48	GB16674.1-08035	螺栓M8×35	Hex Hd. Flange Bolt M8×35mm	3
49	1850055	前挡板	Head Board	1
50	GB12618-05010	抽芯铆钉5×10	Self-plugging Rivet 5×10	4
51	1813011	挡板	Guard	1
52	GB97.1-08	垫圈8	Washer 8	5
53	2000019	定位杆	Anti Rotation Bracket	1
54	1850051	罩壳焊合	Deck	1
55	1850068	侧排盖板	Mulch Cover	1
56	1850069	侧排导板	Side Discharge Chute	1
57	2200021	扭簧	Torsion Spring	1
58	2213000	定位座铆合	Mounting Bracket, Discharging	1
59	GB818-05016	螺钉M5×16	Screw M5×16	2
60	GB6182-05	螺母M5	Nut M5	2
61	1850009A	调高支架	Height Adjustment Rack	1
62	4LZ2.16.4-04	橡胶套	Rubber Ring	1
63	GB91-02016	销2×16	Pin2×16	1
64	1850004	右支架	Right Bracket	1
65	1850002	前脸	Front Bumper	1
66	1850008	后盖板支架	Rear Cover Bracket	1
67	1850065	扭簧	Torsion Spring	1
68	GB845-48160	自攻螺钉ST4.8X16	Self Tapping Screws ST4.8X16	2
69	1850063	皮带罩	Belt Cover	1
70	1850064	盖板	Cover Plate	1
71	GB845-42130	自攻螺钉ST4.2X13	Self Tapping Screws ST4.2X13	2

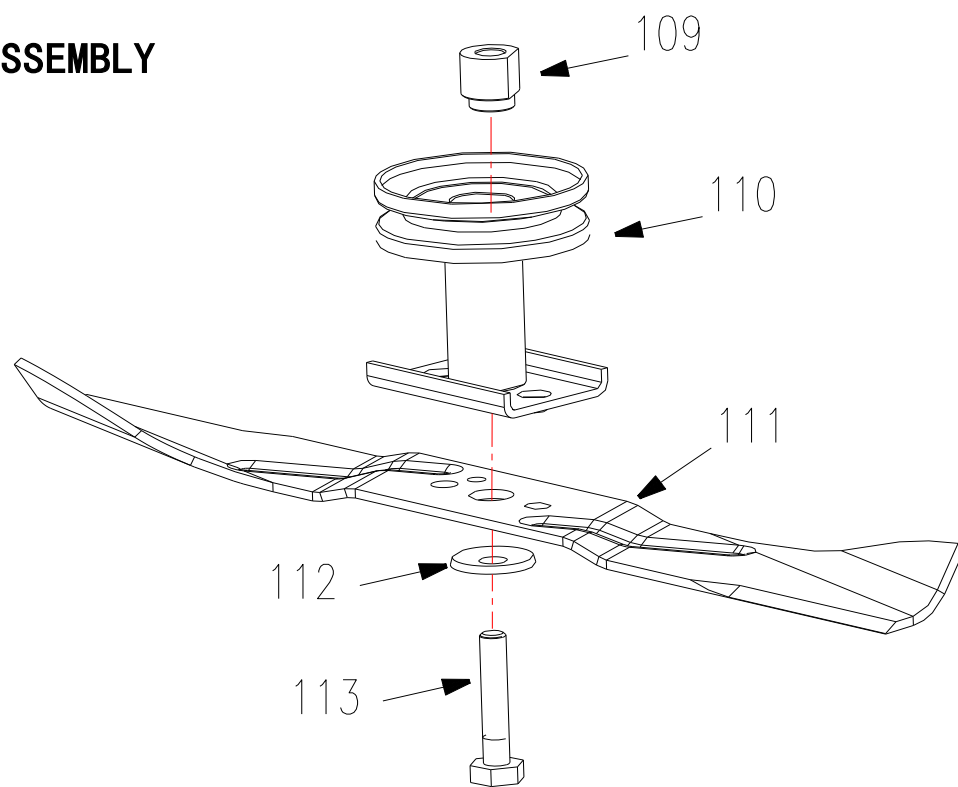
72	GB3452.1- 112265	O形密封圈11.2*2.65	O-Ring Seal 11.2*2.65	1
----	------------------	----------------	-----------------------	---

DRIVE ASSEMBLY



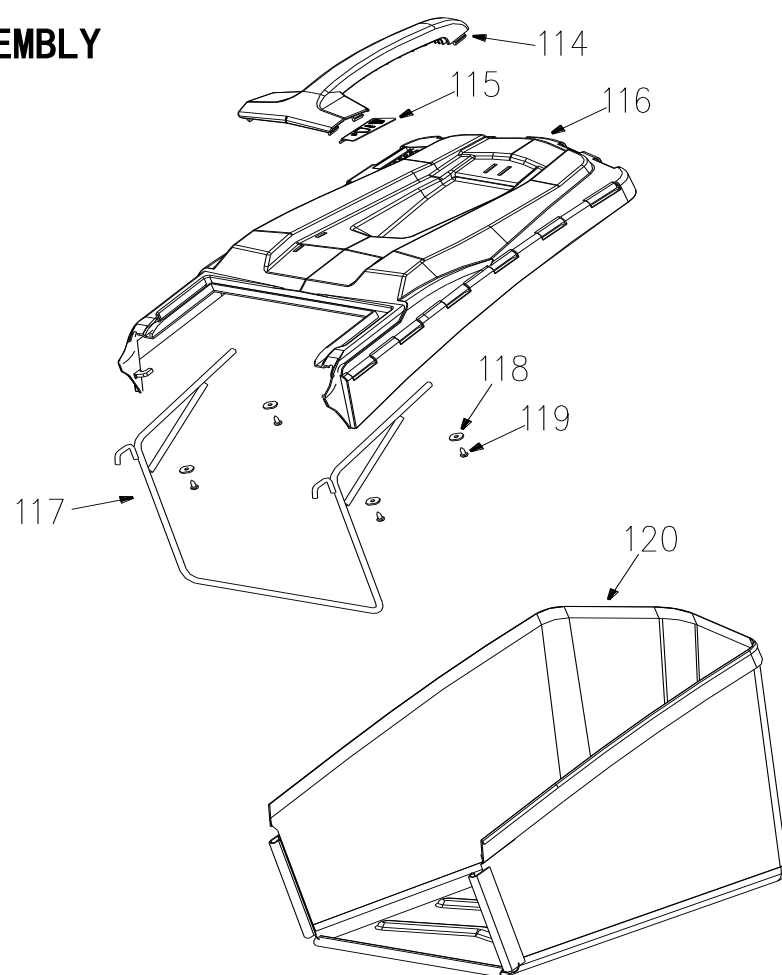
Ref. No.	Parts No.	Description	Description	Quantity
24	GB6182-06	螺母M6	Nylon Insert Lock Nut M6mm	4
73	GB5783-06016	螺钉M6×16	Phillips Pan Hd Screw M6×16mm	4
74	GB109-05011	平头铆钉5×11	Flathead Rivet 5×11	3
75	1850026	调高手柄	Cutting Height Adjustment Lever	1
76	1850019	后轮轴焊合	Rear Axle Assembly	1
77	GB97.1-12	垫圈12	Washer 12	2
78	GB955-12	垫圈12	Washer 12	4
79	84787	法国单速变速箱	GT Transmission	1
80	GB896-09	开口挡圈9	E-Clip 9mm	2
81	1850059	10" 轮子	10" Wheel	2
82	2200033	右齿轮	Pinion Gear, Right	1
83	1850067	防尘盖	Cover	2
84	XSZ56-2-06	开口挡圈19	E-Clip 19mm	2
85	2207002A	后轴承座	Bearing Housing	2
86	2207003	冲压轴承8806	Bearing 8806	2
87	2207001	隔套	Bushing	2
88	1850025	手柄板	Handle Plate	1
89	2100496	支撑板	Support Plate	1
90	2012016A	变速箱涨紧弹簧	Tension Spring	1
91	4016696	前轮轴套	Front Wheel Axle Sleeve	2
92	1850056	7" 轮子	7" Wheel	2
93	1850013	前轴焊合	Front Shaft Assembly	1
94	1850075	左固定簧	The Left Fixed Spr	1
95	1850076	右固定簧	The Right Fixed Spr	1
96	2200032	左齿轮	Pinion Gear, Left	1
97	2007401	隔套	Bushing	2
98	GB879-05016	销5×16	Spring Pin 5×16mm	2
99	GB16674.1-08016	螺栓M8×16	Square Neck Bolt M8X16mm	4
100	2201002	轴承	Nylon Bearing 1/2"	8
101	1850058	7" 轮盖	7" Wheel Cap	2
102	1850057	7" 轮毂	7" Wheel Boss	2
103	1850061	10" 轮盖	10" Wheel Cap	2
104	1850060	10" 轮毂	10" Wheel Boss	2
105	XSZ56-2-08	销	Roll Pin	2
106	1850010	拉杆铆合	Haul Shank Seam	1
107	2200053	拉簧	Tension Spring	1
108	XSZ56-1-17	插销	Hair Pin	2

BLADE ASSEMBLY



Ref. No.	Parts No.	Description	Description	Quantity
109	1600619	刀座垫套	Bushing	1
110	1850027	刀座带轮焊合	Blade Adaptor Pulley	1
111	1850062	刀片	Blade	1
112	XSZ56-2-17	垫圈	Washer	1
113	2200010	中心螺栓	Bolt	1

GRASS BAG ASSEMBLY



Ref. No.	Parts No.	Description	Description	Quantity
114	1850034	草箱把手	Grass Bag Handle	1
115	1850035	观察盖	Access Plate	1
116	1850033	草箱上盖	Grass Bag Cover	1
117	1850030	草箱框架	Bag Frame	1
118	GB5287-05	垫圈5	Washer 5	4
119	GB845-48130	自攻螺钉ST4.8X13	Self Tapping Screws St4.8X13	4
120	1850036	集草袋	Fabric Bag	1