

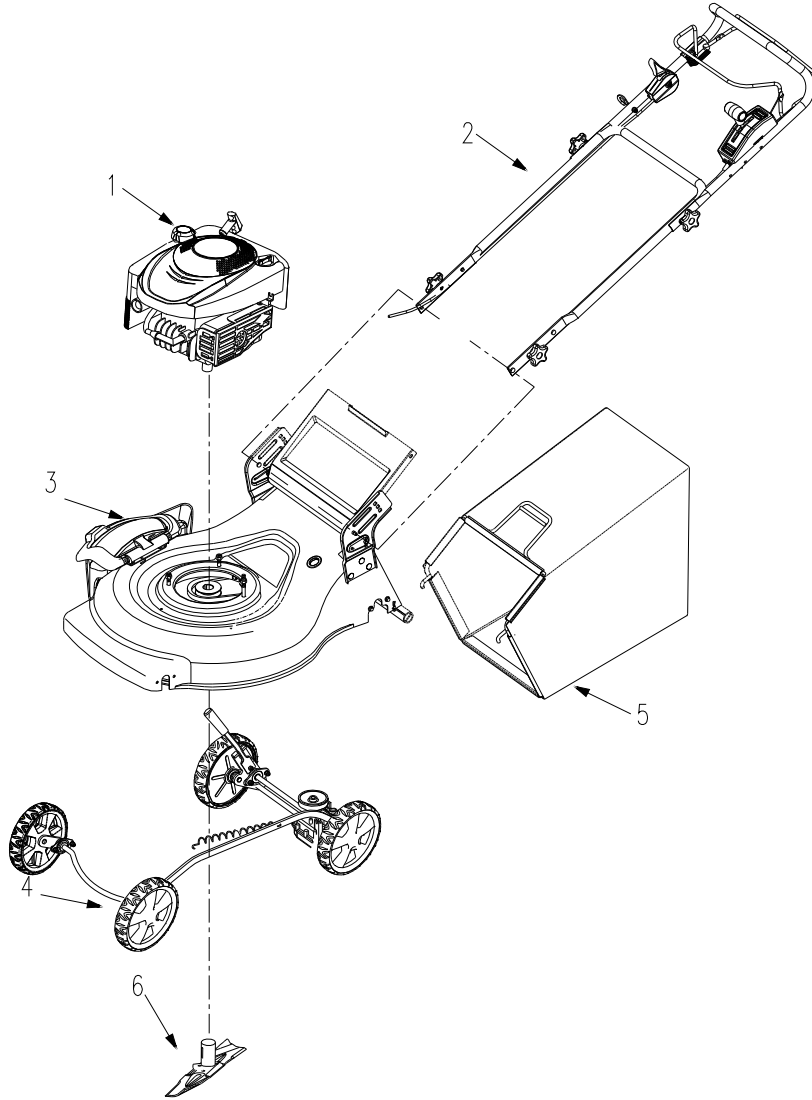


MOWER ASSEMBLY	1
HANDLEBAR & CONSOLE	2
MOWER DECK ASSEMBLY	4
DRIVE ASSEMBLY	6
BLADE ASSEMBLY	8
GRASS BAG ASSEMBLY	10



沃得集团
WORLD GROUP

MOWER ASSEMBLY

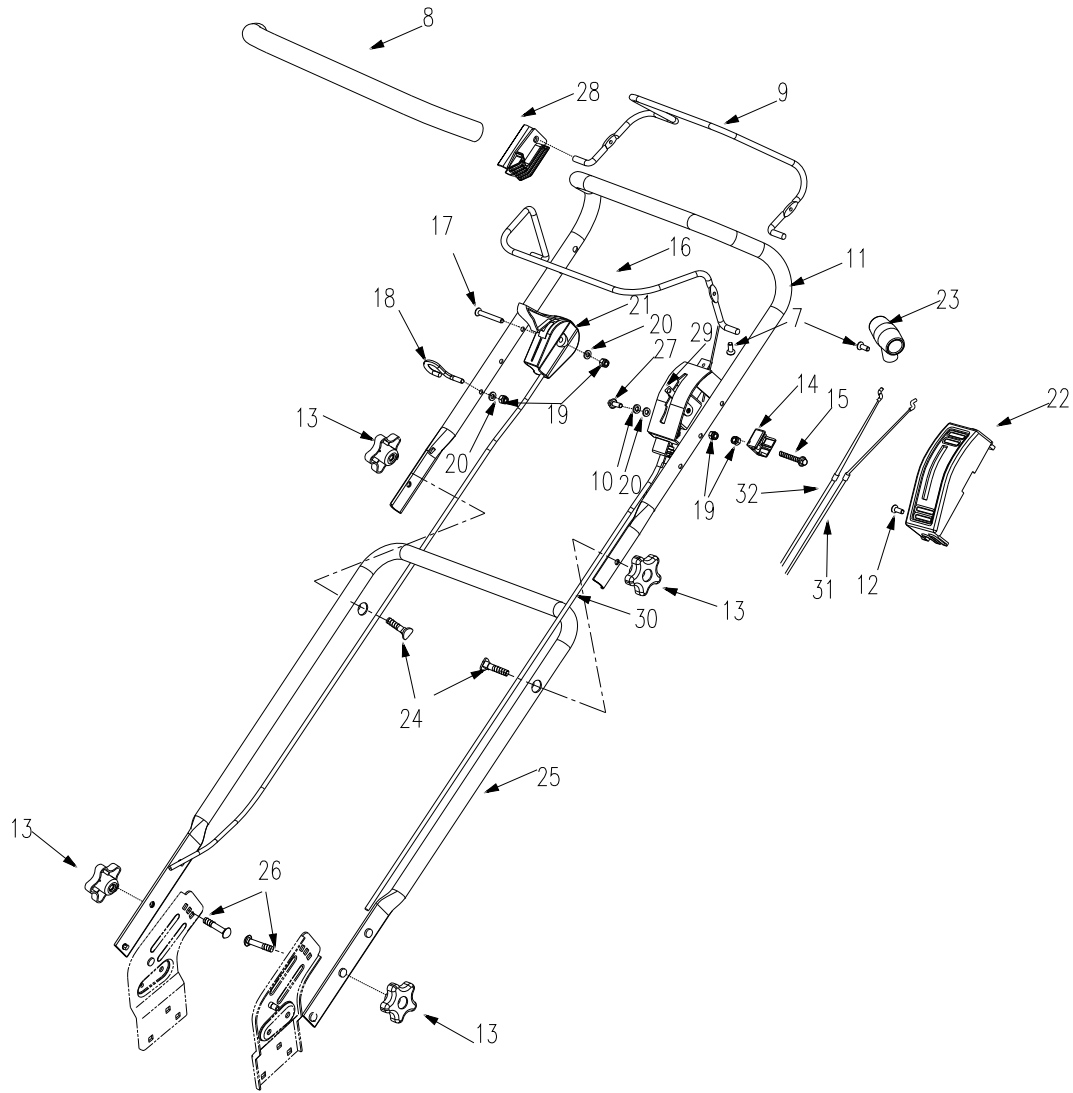


REF.NO.	PART NO.	DESCRIPTION	
1	12J802	Engine	
2		Handlebar & Console	
3		Mower Deck Assembly	
4		Drive Assembly	
5	2206000	Grass Bag Assembly	
6		Blade Assembly	



沃得集团
WORLD GROUP

HANDLEBAR & CONSOLE



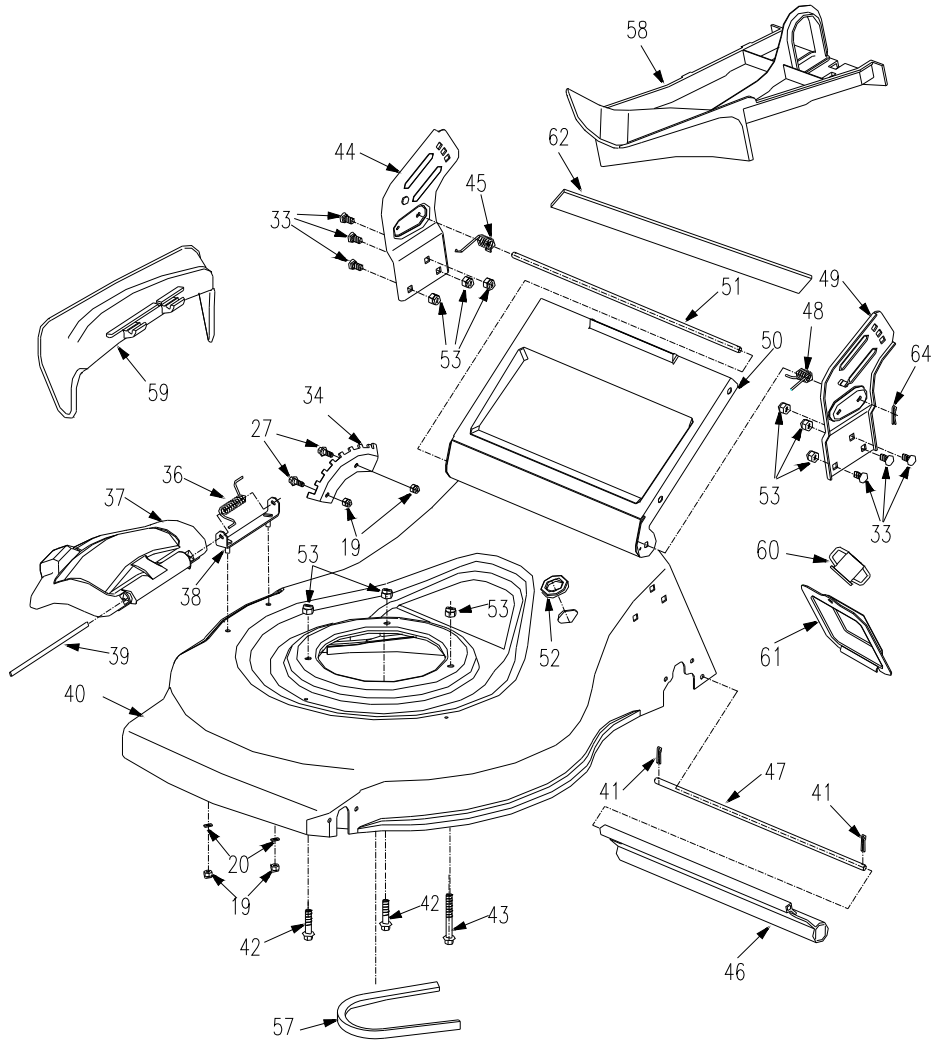


REF. NO.	PART NO.	DESCRIPTION	QUANTITY
7	B845-4213	Self-tapping screw M4.2*13	2
8	2011307	Handle Grip	1
9	2221033	Drive Clutch Lever	1
10	2011343	Bellevill spring	1
11	2221034	Upper Handle	1
12	B818-410	Screw M4*10	1
13	XSZ56-1-09	Knob Nut M8mm	4
14	2011338	Fixed plate	1
15	B820-635	Screw M6*35	1
16	2203101	Flywheel Brake Lever	1
17	B820-650	Screw M6x50	1
18	WORD18.6-05	Rope Guide	1
19	B6182-6	Nut M6	4
20	B97.1-6	Washer 6	3
21	2215500	Throttle Control Assembly	1
22	2011313	Cover	1
23	2011314	Hand shank	1
24	XSZ56-1-15	Bolt, Handle	2
25	2203001	Lower Handle	1
26	B801-840	Bolt M8x40	2
27	B5787-616	Bolt M6x16	1
28	2203003	Bracket	1
29	2011318	handle	1
30	2221042	Barrows speed	1
31	2221043	Clutch arrows	1
32	2203356	Embrace brake arrows	1



沃得集团
WORLD GROUP

MOWER DECK ASSEMBLY





沃得集团
WORLD GROUP

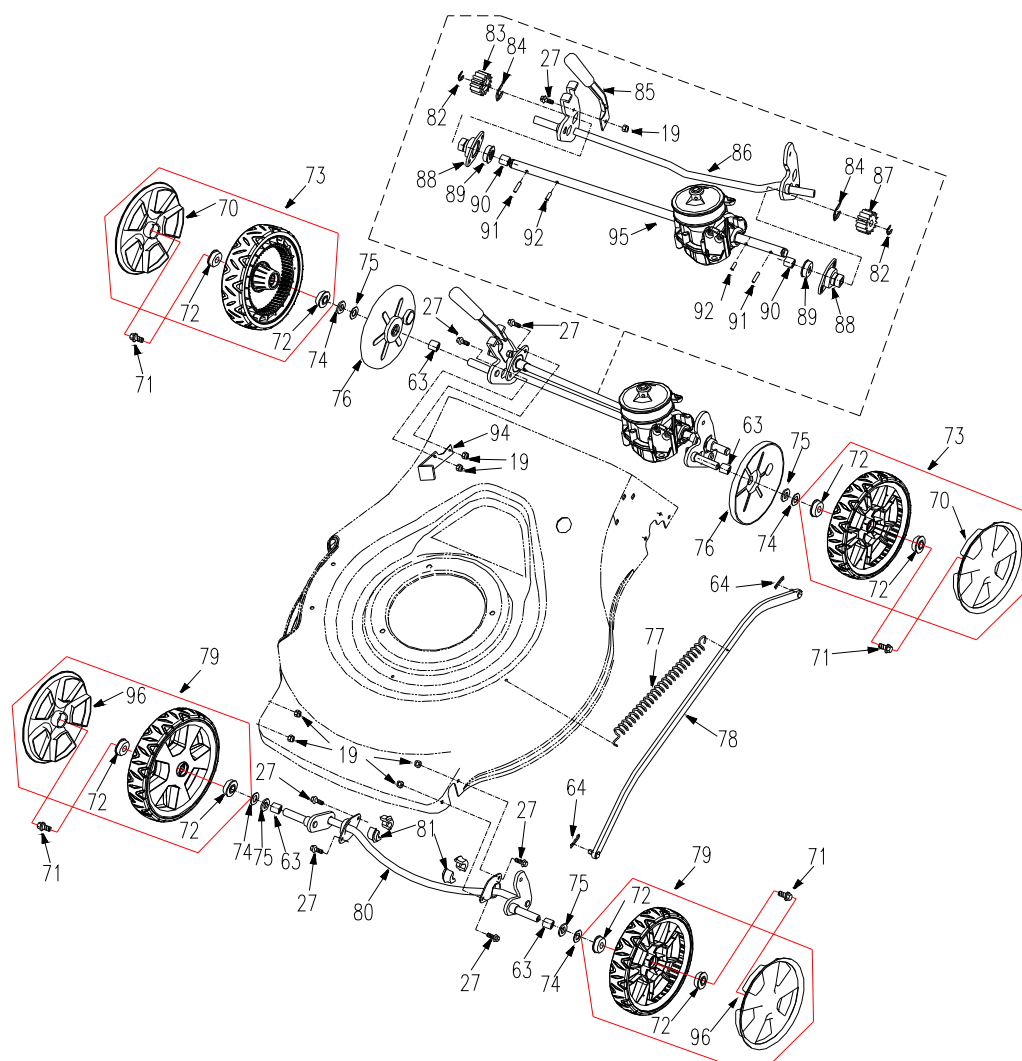
MOWER DECK ASSEMBLY

REF.	PART NO.	DESCRIPTION	QUANTITY
19	B6182-6	Nut M6	4
20	B97.1-6	Washer 6	2
33	B801-816	Bolt M8x16	6
34	2000008C	Height Adjustment Rack	1
27	B5787-616	Bolt M6x16	2
36	2200021	Torsion Spring	1
37	2200060	Mulch Cover	1
38	2200063	Mounting Bracket, Discharging	1
39	2200019	Pivot Shaft	1
40	2208020G	Mower Deck	1
41	B91-220	Pin 2×20	2
42	B5787-835	Bolt M8x35	2
43	B5787-865	Bolt M8x65	1
44	2205000A	Right Bracket	1
45	2200003A	Torsion Spring, Right	1
46	XSS46-15	Rear Guard	1
47	2200006	Rod, Rear Guard	1
48	2200002A	Torsion Spring, Left	1
49	2204000A	Left Bracket	1
50	2200004	Rear Cover	1
51	2200001A	Rod, Rear Cover	1
52	4LZ2.16.4-04	Rubber Ring	1
53	B6182-8	Nut M8	9
57	2011008B	Belt 3LXP920(V10*920)	1
58	2200015	Mulching Plug	1
59	2200017	Side Discharge Chute	1
60	2100012	Butterfly nut	1
61	2008011	Baffle	1
62	2200036	Rubber 3x25x360	1
64	XSZ56-1-17	Pin	1



沃得集团
WORLD GROUP

DRIVE ASSEMBLY



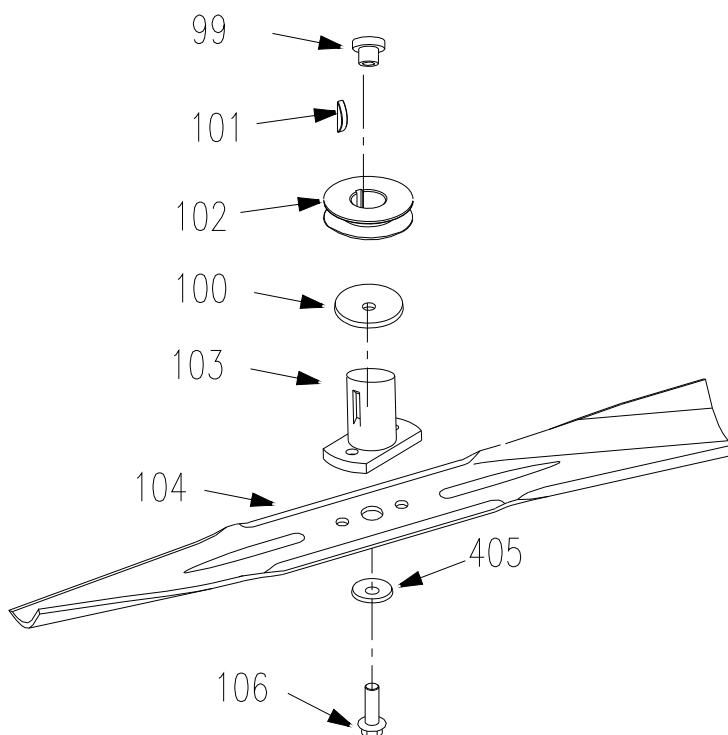


REF. NO.	PART NO.	DESCRIPTION	QUANTITY
19	B6182-6	Nut M6mm	9
27	B5787-616	Bolt M6x16mm	9
63	2007401	Bushing	4
64	XSZ56-1-17	Hair Pin	2
70	00811	Wheel cap	2
71	B5787-816	Bolt M8x16mm	4
72	2201002	Wheel Bearing 1/2"	8
73	00810	8"wheel	2
74	B97.1-12	Flat Washer 12 mm	4
75	B955-12	Wave Spring Washer	4
76	2200034	Cover	2
77	WORD18-02	Tension Spring	1
78	2202000	Haul Shank Seam	1
79	00800	8"wheel	2
80	2209120	Front axle assembly	1
81	WORD18-01	Nylon Bearing	4
82	B896-9	E-Clip 9mm	2
83	2200033	Pinion Gear, Right	1
84	XSZ56-2-06	E-Clip 19mm	2
85	2207200	Cutting Height Adjustment Lever	1
86	2207120	Rear Axle Assembly	1
87	2200032	Pinion Gear, Left	1
88	2207002	Bearing Housing	2
89	2207003	Bearing	2
90	2207001	Bronze Bushing	2
91	XSZ56-2-08	Roll Pin	2
92	B879-516	Spring Pin 5x16mm	2
94	2221025	Fixed plate	1
95	84567	GT transmission	1
96	00801	Wheel cap	2



沃得集团
WORLD GROUP

BLADE ASSEMBLY

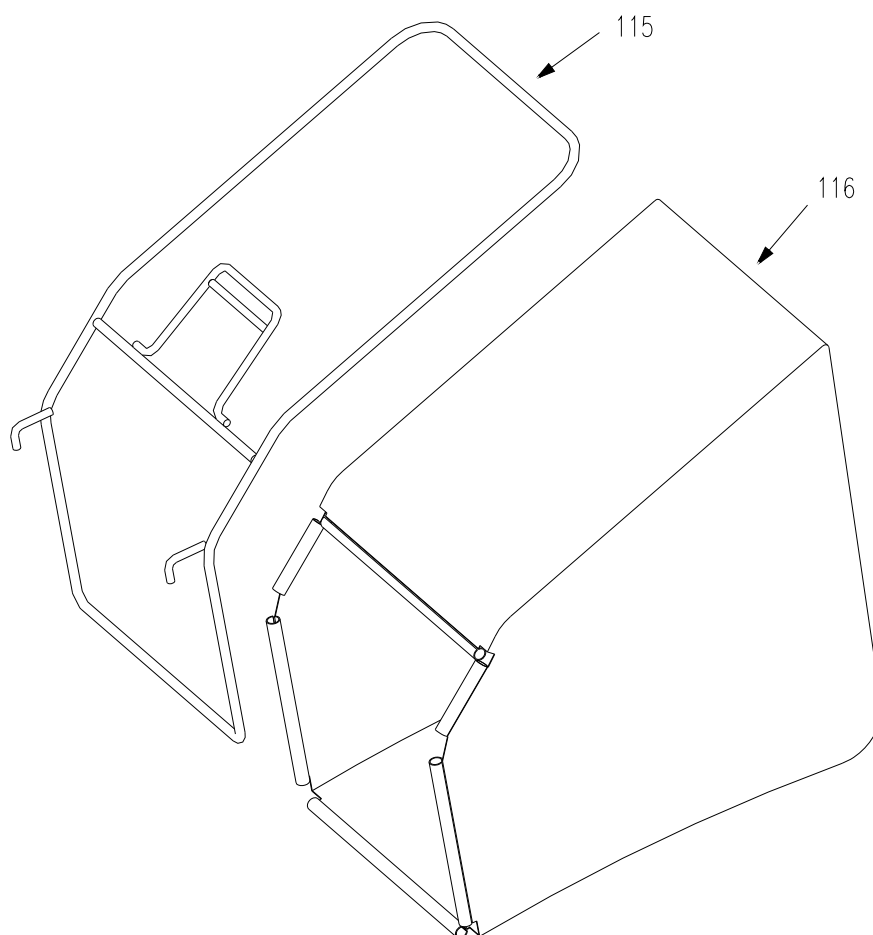


REF. NO.	PART NO.	DESCRIPTION	QUANTITY
99	2019001	Blade Bolt	1
100	2011342	Washer	1
101	XSZ56-2-20	Woodruff Key	1
102	86022	Pulley	1
103	2221020	Blade adaptor	1
104	2200039	Blade	1
105	XSZ56-2-17	Washer	1
106	2200010	Centre bolt	1



沃得集团
WORLD GROUP

GRASS BAG ASSEMBLY



REF. NO.	PART NO.	DESCRIPTION	QUANTITY
115	2206100	Bag Frame	1
116	2206200	Fabric Bag	1